

# SNOW-TRAC SNOW-MASTER



1-1 A

**ANVISNINGAR**

Reservdelskatalogen är indelad i bildsidor och textsidor – de senare avsedda för reservdelsförråden. Varje sida har ett huvud med benämning och en sifferkod.

Koden anger

Bildnummer - Utgåva - Maskintyp - Utgivningsdatum - Tillverkningsnummer

Exempel

4 - 1 = bild 4 - utgåva 1  
 ST 4 B - 691130 = maskintyp - utgivningsdatum  
 1221 = gäller från tillverkningsnummer 1221  
 X = extrautrustning

Då någon detalj omkonstruerats införs det nya reservdelsnumret under det gamla i katalogen och på samma position. I kolumnen "Från tillverkningsnummer" anges från vilket tillverkningsnummer det nya reservdelsnumret gäller.

**BESTÄLLNING AV RESERVDELAR**

Uppte vid beställning:

- Reservdelsnummer
- Benämning
- Snöevesslans typ
- Snöevesslans tillverkningsnummer

**ANWEISUNGEN**

Der Ersatzteilkatalog ist in Bildseiten und Textseiten eingeteilt – die letzteren sind nur für die Ersatzteilverrötre vorgesehen. Jede Seite hat einen Kopf mit Benennung und einem Ziffernkode.

Der Kode gibt an

Bildnummer - Ausgabe - Maschinentyp - Ausgabetag - Herstellungsnummer

Beispiel

4 - 1 = Bild 4 - Ausgabe 1  
 ST 4 B - 691130 = Maschinentyp - Ausgabetag  
 1221 = gilt ab Herstellungsnummer 1221  
 X = Sonderausrüstung

Wenn ein Teil neukonstruiert wird, wird die neue Ersatzteilnummer unter die alte und auf dieselbe Position im Katalog eingeführt. In der Spalte "Ab Herstellungsnummer" wird angegeben, von welcher Herstellungsnummer an die neue Ersatzteilnummer gilt.

**BESTELLUNG VON ERSATZTEILEN**

Bei Bestellung angeben:

- Ersatzteilnummer
- Benennung
- Typ des Wiesels
- Fabrikationsnummer des Wiesels

**INSTRUCTIONS**

The catalogue is divided up into illustration pages and text pages – the latter only being intended for the spare parts stores. Each page is headed with description and a number code.

The code indicates

Illustration number - Edition - Machine type - Date of issue - Manufacturing number

Example

4 - 1 = illustration 4 - edition 1  
 ST 4 B - 691130 = machine type - date of issue  
 1221 = applicable from manufacturing number 1221  
 X = extra equipment

If any part has been redesigned the new spare part number is entered under the old one in the catalogue and in the same position. In the column "From manufacturing number" is indicated the manufacturing number from which the new spare part number is applicable.

**ORDERING SPARE PARTS**

When ordering, state:

- Spare part number
- Description
- Type of weasel
- Manufacturing number of the weasel

**INSTRUCTIONS**

Le catalogue est divisé en pages de croquis et pages de texte, ces dernières concernant uniquement la commande de pièces de rechange. En tête de chaque page se trouvent une désignation et un numéro de code.

Le code indique

Le numéro de la figure - La publication - Le type de machine - La date de la publication - Le numéro de fabrication

Exemple

4 - 1 = figure 4 - la publication 1  
 ST 4 B - 691130 = le type de la machine - la date de la publication  
 1221 = valable à partir du numéro de fabrication 1221  
 X = Equipement extra

Lorsqu'un détail quelconque a été modifié dans une pièce de rechange, celle-ci porte un nouveau numéro qui est indiqué sous l'ancien dans le catalogue et à la même position. Dans la colonne "A partir du numéro de fabrication" est indiqué à partir de quel numéro de fabrication s'applique le nouveau numéro de la pièce de rechange.

**COMMANDE DE PIECES DE RECHANGE**

En commandant, indiquez:

- No. de pièce de rechange
- Désignation
- Modèle de la belette
- No. de fabrication de la belette

MOTOR, AVGASRÖR  
 ENGINE, EXHAUST PIPE  
 MOTOR, AUSPUFFROHR  
 MOTEUR, TUYAU D'ÉCHAPPEMENT

# A 1-1

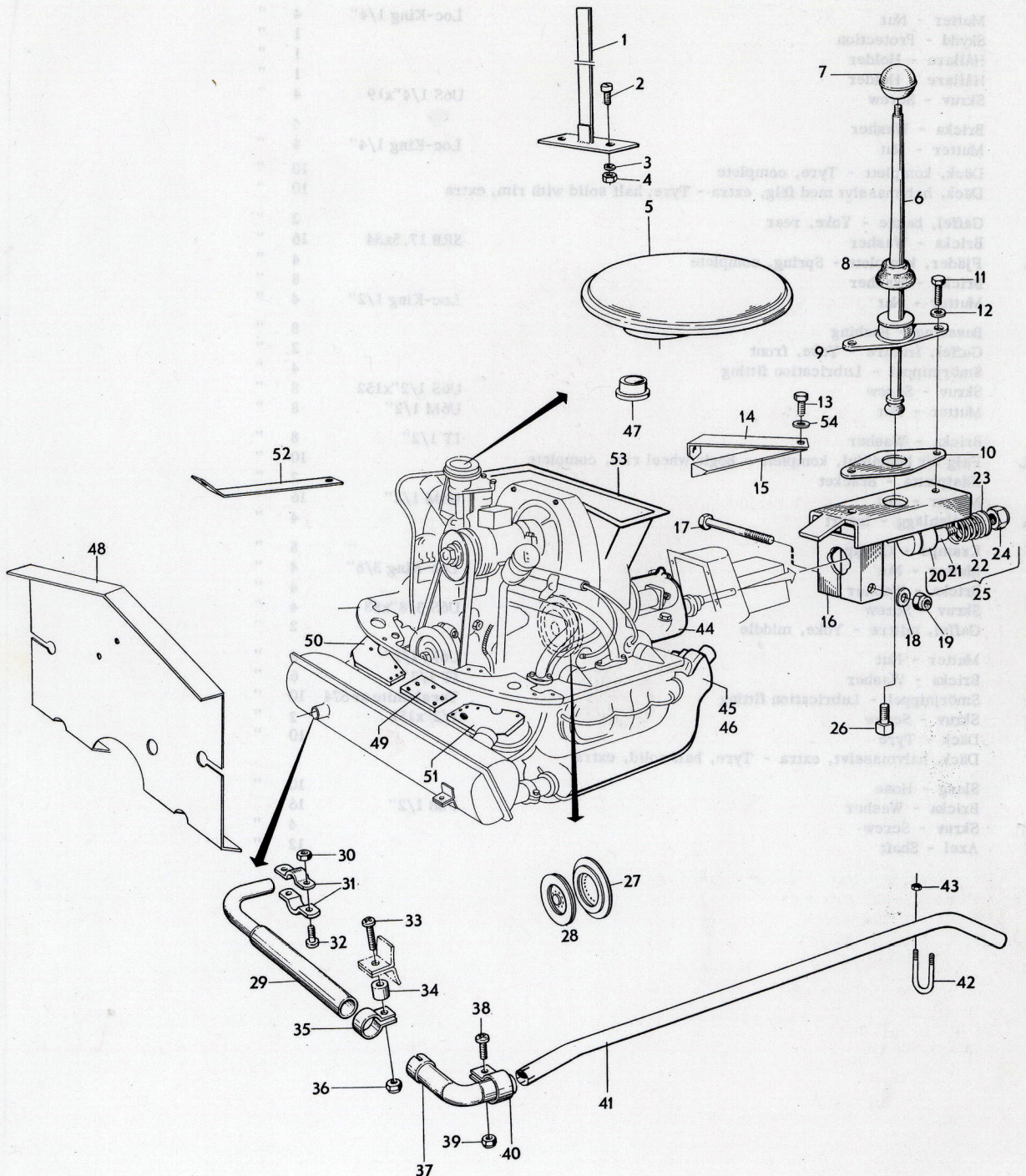
ST 4-701102  
 1306

1	ST 7117	Stöd för motorhuv - Support for engine hood		1	1306
2		Skruv för stöd - Screw for support	RX M5x12	2	"
3		Bricka - Washer	FBB 3/16"	2	"
4		Mutter - Nut	M6M M5	2	"
5		Luftfilter - Air filter	FL 7118/1	1	"
6	111 711 121 D	Växelspak - Gear shift lever		1	"
7	111 711 141	Handtagkula - Knob for lever		1	"
8	ST 6365	Gummiskydd - Rubber protection		1	"
9	111 711 105	Hållare - Holder		1	"
10	111 711 149	Bricka - Washer		1	"
11		Skruv - Screw	U6S 5/16"x19	1	"
12		Bricka - Washer	IT 5/16"	2	"
13		Skruv - Screw	U6S 5/16"x25	1	"
14	ST 1376	Stag, höger - Stay, right		1	"
15	ST 1377	Stag, vänster - Stay, left		1	"
16	ST 7584	Hållare för spak - Holder for lever		1	"
17		Skruv - Screw	U6S 3/8"x76	1	"
18	W 10011	Bricka - Washer		1	"
19		Mutter - Nut	Loc-King 3/8"	1	"
20	ST 7684	Växelförare - Gear shift bar		1	"
21	ST 3079	Del till växelförare - Part to gear shift bar		1	"
22	260 210 181	Tryckfjäder - Spring		1	"
23	W 10022	Bricka - Washer		1	"
24		Mutter - Nut	Loc-King 1/2"	1	"
25	ST 7697	Växelförare, komplett - Gear shifter, complete		1	"
26		Skruv - Screw	USK4SS 5/16"x13	1	"
27	ST 7392	Koppling - Clutch		1	"
28	ST 7393	Lamell - Disk		1	"
29	ST 7711	Utblåsningsrör - Exhaust manifold		1	"
30		Mutter - Nut	Loc-King 1/4"	2	"
31	111 251 269 A	Klamma - Clamp		2	"
32		Skruv - Screw	U6S 1/4"x45	2	"
33		Skruv - Screw	U6S 5/16"x57	1	"
34	ST 3070	Distanshylsa - Distance sleeve		1	"
35	211 251 225	Klamma - Clamp		1	"
36		Mutter - Nut	Loc-King 5/16"	1	"
37	ST 7514	Rörkrök - Elbow		1	"
38		Skruv - Screw	U6S 5/16"x25	1	"
39		Mutter - Nut	Loc-King 5/16"	1	"
40	369.54.109	Klamma - Clamp		1	"
41	ST 7730	Utblåsningsrör - Exhaust manifold		1	"
42	ST 2014	Bygel - Clamp		2	"
43		Mutter - Nut	Loc-King 1/4"	4	"
44	ST 7095 A	Växellåda - Gear case		1	"
45	ST 7295	Värmeväxlare, vänster - Heat exchanger, left		1	"
46	ST 7296	Värmeväxlare, höger - Heat exchanger, right		1	"
47	ST 39	Mellanring - Distance ring		1	"
48	ST 5155	Styrplåt - Guide plate		1	"
49	ST 5162	Plåt, mittre - Plate, middle		1	"
50	ST 5161	Plåt, höger - Plate, right		1	"
51	ST 5163	Plåt, vänster - Plate, left		1	"
52	ST 1173	Stag - Stay		1	"
53	ST 7162	Luftintag - Air intake		1	"
54		Bricka - Washer	FBB 5/16"	1	"

TRANS AXLE  
MOUNTS

113. 301. 263

A1-1  
ST4-701015

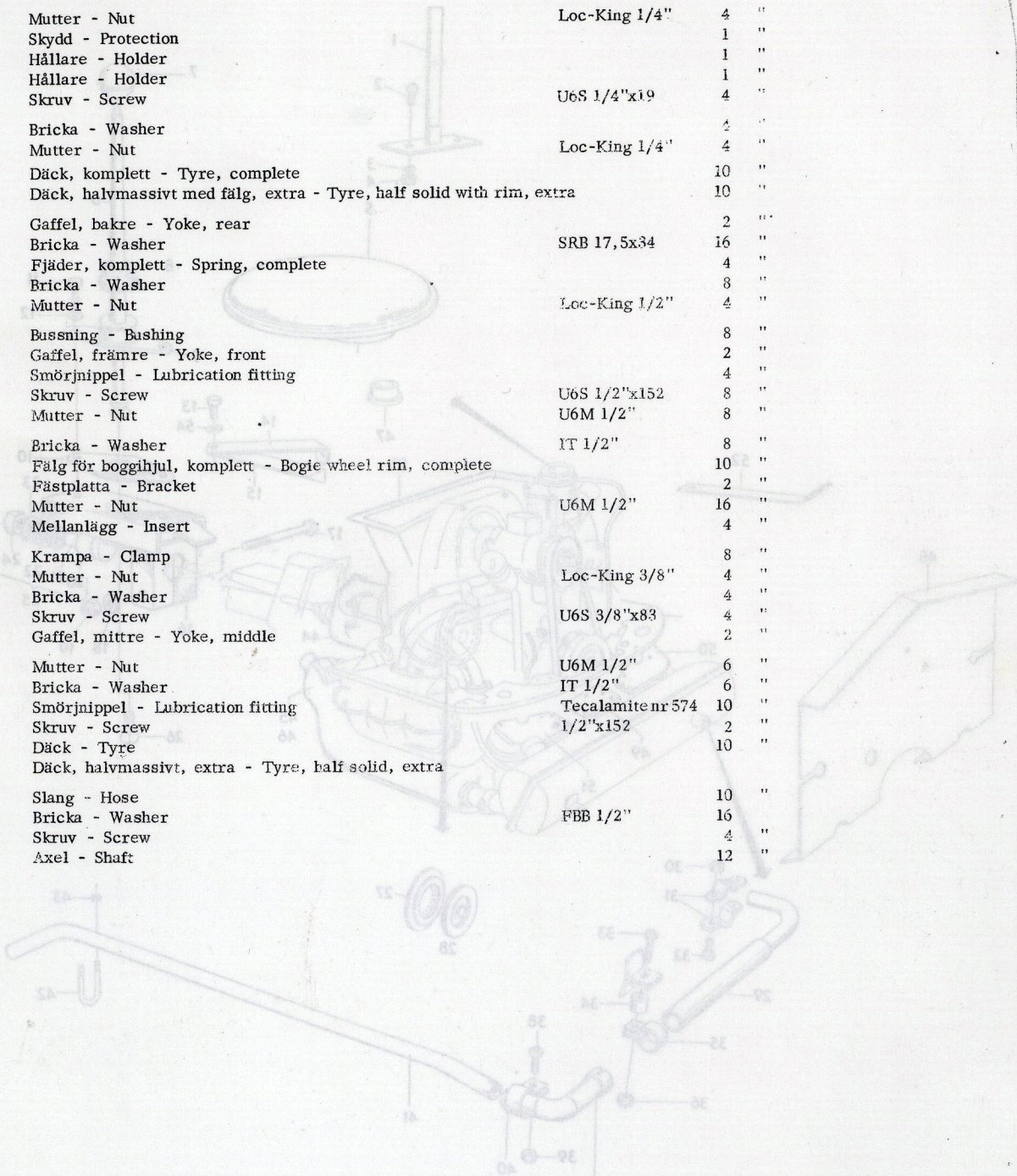


BOGGIHJUL, FJÄDRAR  
 BOGIE WHEELS, SPRINGS  
 RADGESTELLRÄDER, FEDERN  
 ROUES DU TRAIN, RESSORTS

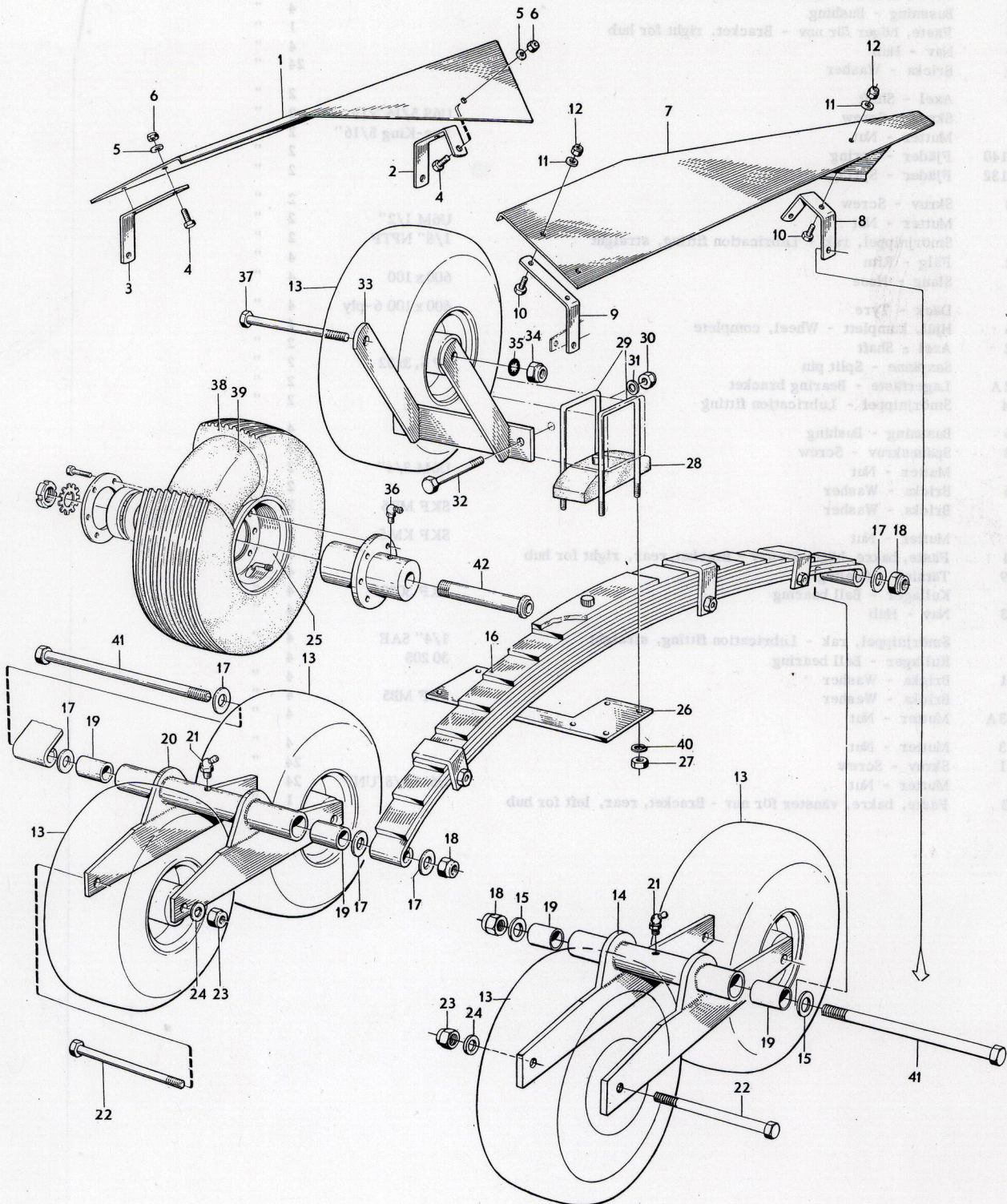
**B 1-1**

ST 4-701102  
 1306

1	ST 5423	Skydd - Protection		1	1306
2	ST 1389	Hållare - Holder		1	"
3	ST 1347	Hållare - Holder		1	"
4		Skruv - Screw	U6S 1/4"x19	4	"
5	W 10001	Bricka - Washer		2	"
6		Mutter - Nut	Loc-King 1/4"	4	"
7	ST 5424	Skydd - Protection		1	"
8	ST 1390	Hållare - Holder		1	"
9	ST 1347	Hållare - Holder		1	"
10		Skruv - Screw	U6S 1/4"x19	4	"
11	W 10001	Bricka - Washer		2	"
12		Mutter - Nut	Loc-King 1/4"	4	"
X 13	ST 7160	Däck, komplett - Tyre, complete		10	"
	ST 7196	Däck, halvmassigt med fälg, extra - Tyre, half solid with rim, extra		10	"
14	ST 7663	Gaffel, bakre - Yoke, rear		2	"
15		Bricka - Washer	SRB 17,5x34	16	"
16	ST 7012 A	Fjäder, komplett - Spring, complete		4	"
17	W 10030	Bricka - Washer		8	"
18		Mutter - Nut	Loc-King 1/2"	4	"
19	ST 6014	Bussning - Bushing		8	"
20	ST 7613	Gaffel, främre - Yoke, front		2	"
21	W 15052	Smörjnippel - Lubrication fitting		4	"
22		Skruv - Screw	U6S 1/2"x152	8	"
23		Mutter - Nut	U6M 1/2"	8	"
24		Bricka - Washer	IT 1/2"	8	"
25	THL 120 L	Fälg för boggihjul, komplett - Bogie wheel rim, complete		10	"
26	ST 7409	Fästplatta - Bracket		2	"
27		Mutter - Nut	U6M 1/2"	16	"
28	ST 7195 A	Mellanlägg - Insert		4	"
29	ST 2030	Krampa - Clamp		8	"
30		Mutter - Nut	Loc-King 3/8"	4	"
31	W 10015	Bricka - Washer		4	"
32		Skruv - Screw	U6S 3/8"x83	4	"
33	ST 7564	Gaffel, mittre - Yoke, middle		2	"
34		Mutter - Nut	U6M 1/2"	6	"
35		Bricka - Washer	IT 1/2"	6	"
36		Smörjnippel - Lubrication fitting	Tecalamite nr 574	10	"
37		Skruv - Screw	1/2"x152	2	"
38	ST 6110	Däck - Tyre		10	"
	ST 6113	Däck, halvmassigt, extra - Tyre, half solid, extra			
39	ST 6111	Slang - Hose		10	"
40		Bricka - Washer	FBB 1/2"	16	"
41	ST 7306	Skruv - Screw		4	"
42	4-230-35	Axel - Shaft		12	"



B1-1  
ST4-701015



1-13

# B 2-1

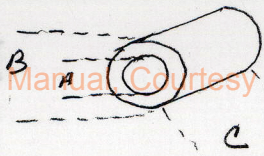
BÄRHJUL MED SVÄNGARMAR, FRÄMRE OCH BAKRE  
 CARRYING WHEELS WITH SWINGING ARMS, FRONT AND REAR  
 TRAGRÄDER MIT SCHWINGARMEN, VORDERE UND HINTERE  
 ROUES PORTEUSES AVEC LEVIERS OSCILLANTS, ANTERIEURES ET POSTERIEURES

ST 4-701102  
 1306

1	ET 7534	Fäste, främre, vänster för nav - Bracket, front, left for hub		1	1306
2	ST 6012	Bussning - Bushing		4	"
3	ST 7535	Fäste, höger för nav - Bracket, right for hub		1	"
4	ST 7576	Nav - Hub		4	"
5	ST 3039	Bricka - Washer		24	"
6	ST 7548	Axel - Shaft		2	"
7		Skruv - Screw	U6S 5/16"x19	2	"
8		Mutter - Nut	Loc-King 5/16"	2	"
9	260 210 140	Fjäder - Spring		2	"
10	260 210 132	Fjäder - Spring		2	"
11	ST 7608	Skruv - Screw		2	"
12		Mutter - Nut	U6M 1/2"	2	"
13		Smörjnippel, rak - Lubrication fitting, straight	1/8" NPTF	2	"
14	ST 7312	Fälg - Rim		4	"
15		Slang - Hose	600x100	4	"
16		Däck - Tyre	600x100 6-ply	4	"
	ST 7326	Hjul, komplett - Wheel, complete		4	"
17	ST 7242	Axel - Shaft		2	"
18		Saxpinne - Split pin	SP 6, 3x32	2	"
19	ST 7132 A	Lagerfäste - Bearing bracket		2	"
20	W 15054	Smörjnippel - Lubrication fitting		2	"
21	ST 6096	Bussning - Bushing		4	"
22	ST 7133	Spännskruv - Screw		2	"
23		Mutter - Nut	U6M 3/4"	2	"
24	ST 5006	Bricka - Washer		2	"
25		Bricka - Washer	SKF MB5	2	"
26		Mutter - Nut	SKF KM5	2	"
27	ST 7314	Fäste, bakre, höger för nav - Bracket, rear, right for hub		1	"
28	W 17059	Tätning - Sealing		4	"
29		Kullager - Ball bearing	SKF 30207	4	"
30	3-250 03	Nav - Hub		4	"
31		Smörjnippel, rak - Lubrication fitting, straight	1/4" SAE	4	"
32		Kullager - Ball bearing	30 205	4	"
33	4-124 01	Bricka - Washer		4	"
34		Bricka - Washer	SKF MB5	4	"
35	4-100 93 A	Mutter - Nut		4	"
36	4-117 73	Mutter - Nut		4	"
37	4-275 41	Skruv - Screw		24	"
38		Mutter - Nut	U6M 5/8"UNF	24	"
39	ST 7313	Fäste, bakre, vänster för nav - Bracket, rear, left for hub		1	"

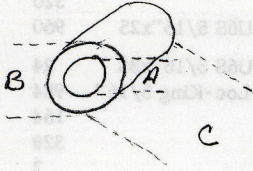
#2 ST6012

- A) 1.185  
30.11 m/m
- B) 1.67  
42.40 m/m
- C) 1.50  
38.10 m/m



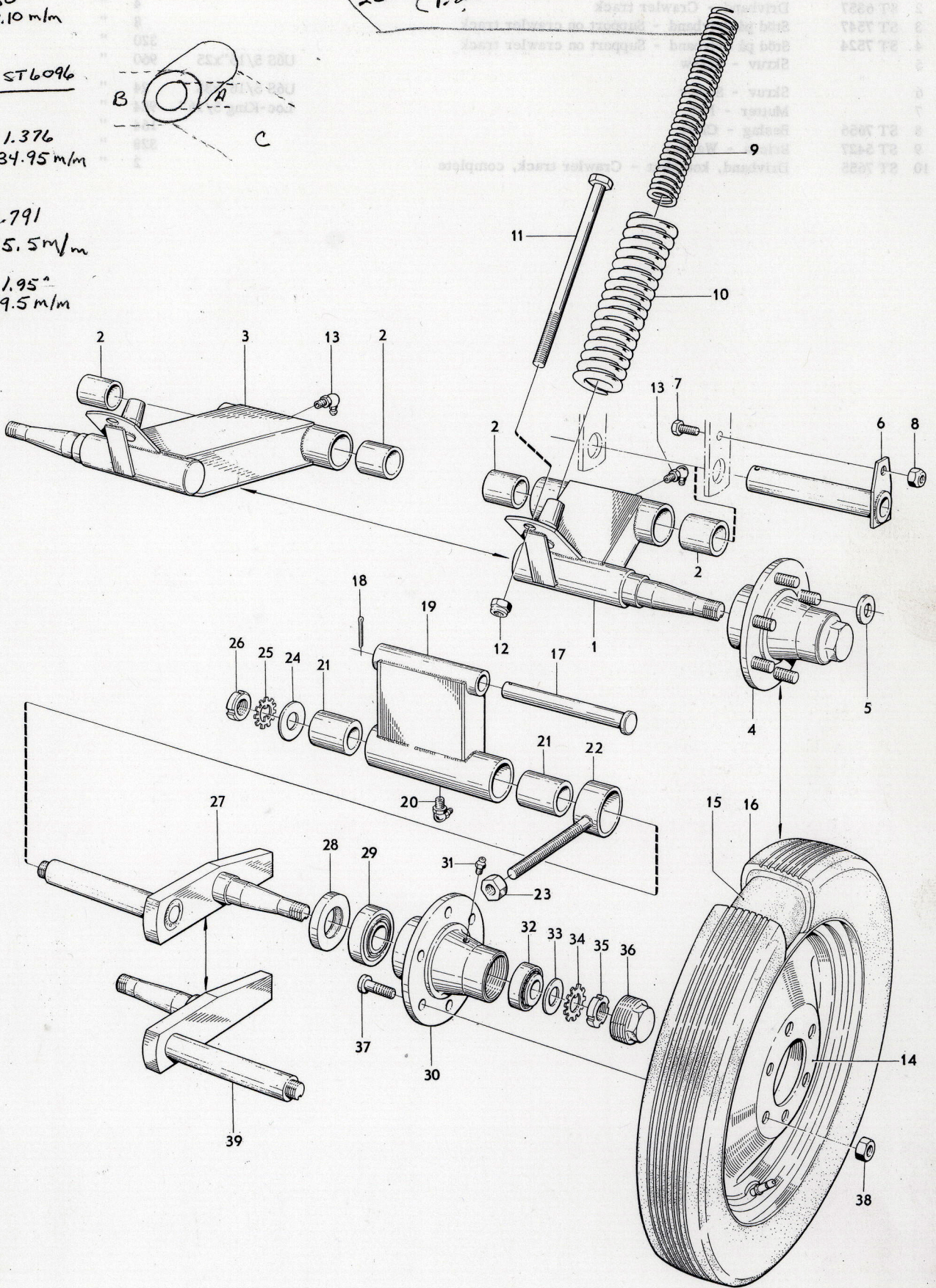
#21 ST6096

- A) 1.376  
34.95 m/m
- B) 1.791  
45.5 m/m
- C) 1.95  
49.5 m/m



2x1 52433232 67.50  
 Sub 2x4 52432648 21.68  
 48.80  
 2EA (P.2659)

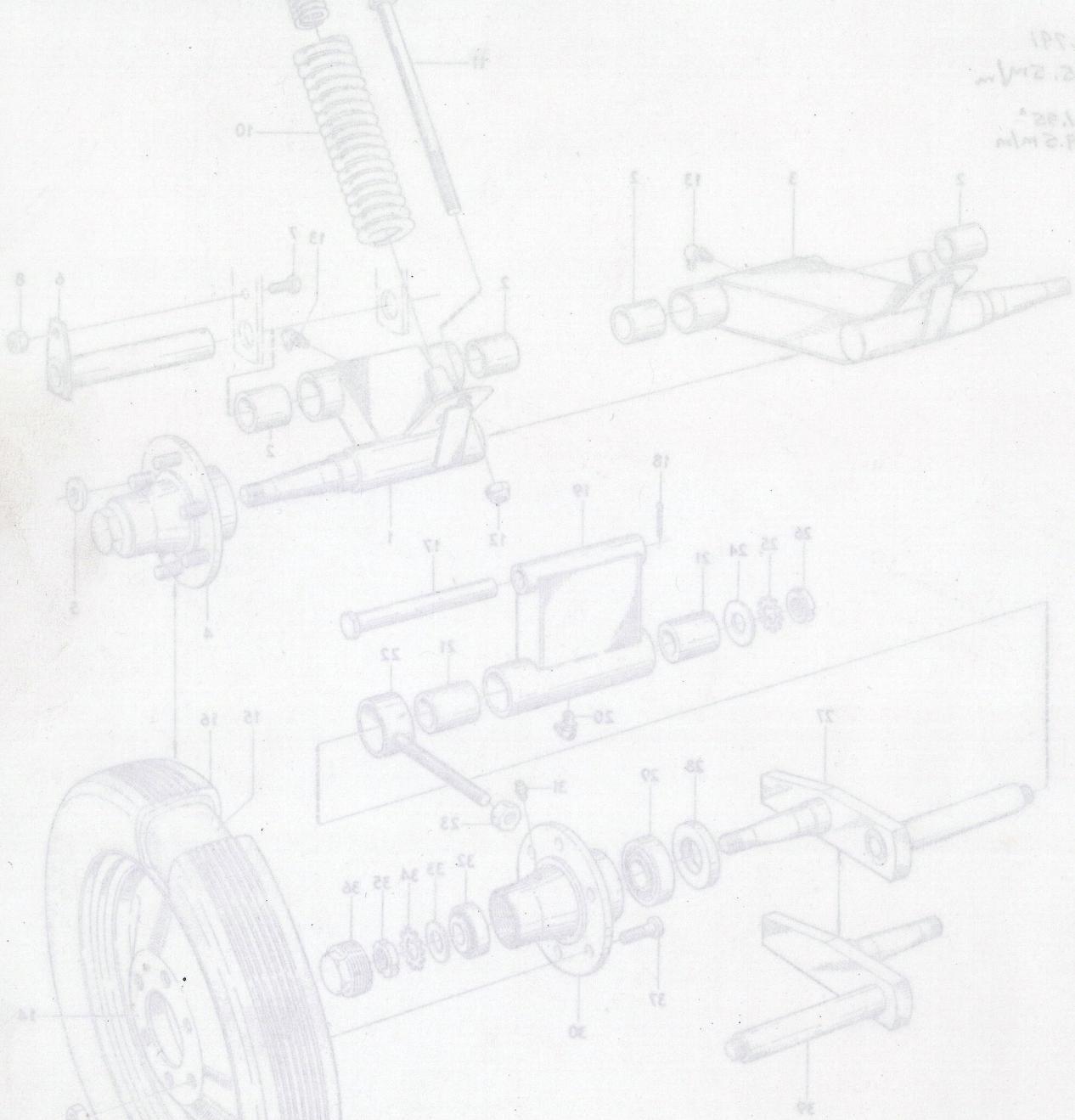
B2-1  
ST4-701015



DRIVBAND  
 CRAWLER TRACKS  
 GLEISBÄNDER  
 CHENILLES D'ENTRAÎNEMENT

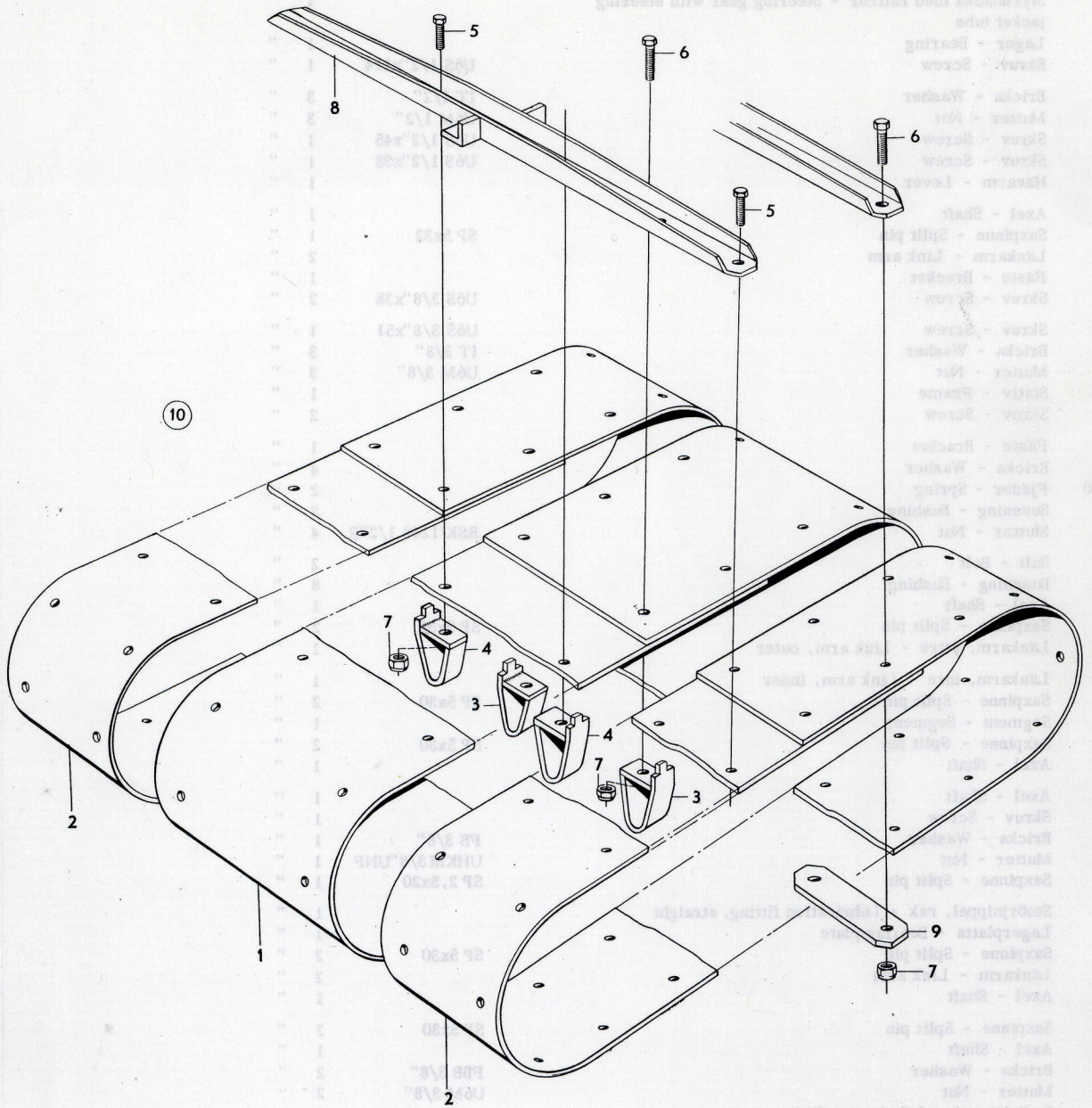
ST 4-701102  
 1306

1	ST 6356	Drivband - Crawler track	2	1306
2	ST 6357	Drivband - Crawler track	4	"
3	ST 7547	Stöd på drivband - Support on crawler track	8	"
4	ST 7524	Stöd på drivband - Support on crawler track	320	"
5		Skruv - Screw	960	"
			U6S 5/16"x25	
6		Skruv - Screw	U6S 5/16"x38	24
7		Mutter - Nut	Loc-King 5/16"	984
8	ST 7656	Beslag - Cleat		164
9	ST 5427	Bricka - Washer		328
10	ST 7655	Drivband, komplett - Crawler track, complete		2



C 1-1  
ST 4-701015  
1305

B3-1  
ST4-701015



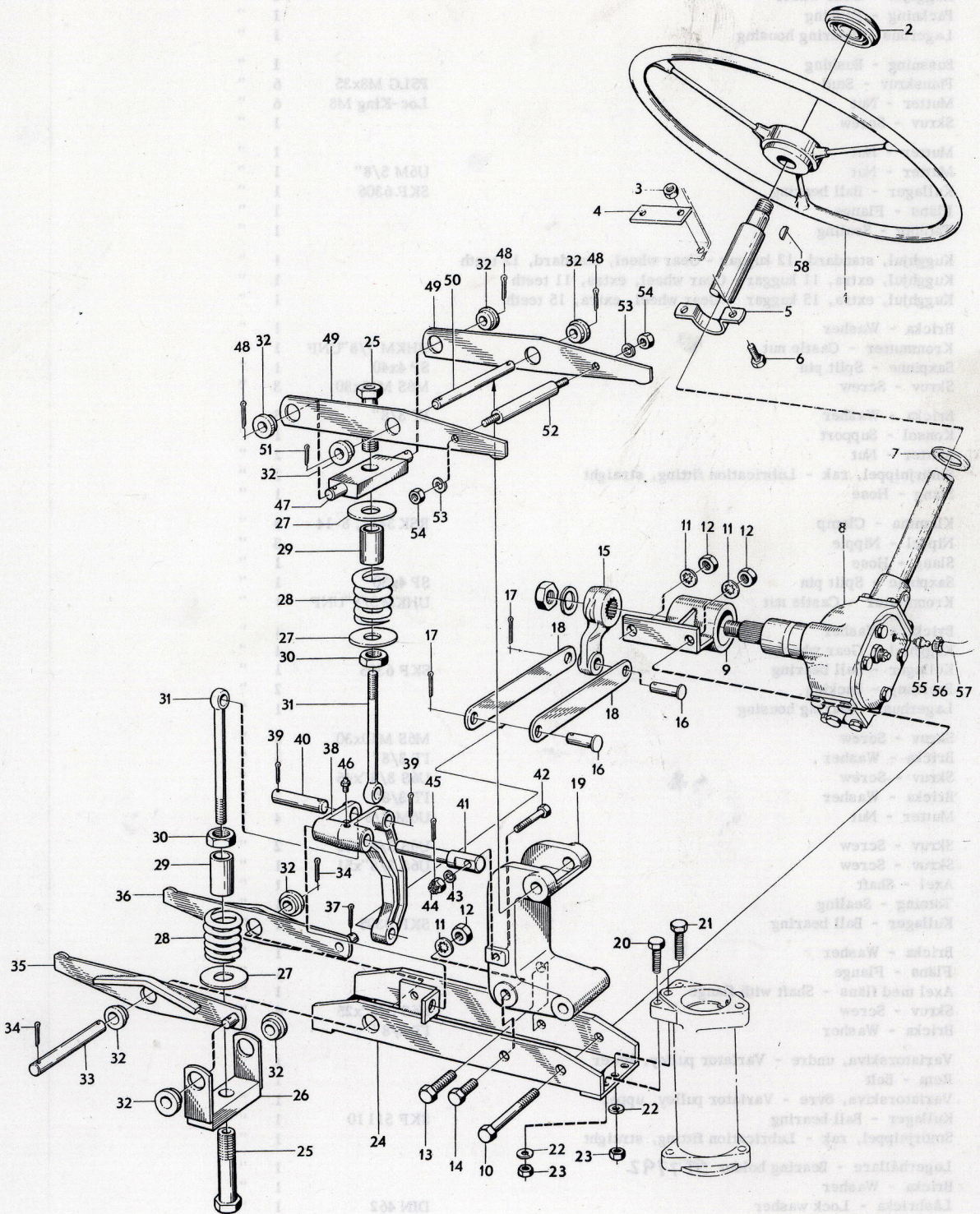
STYRSYSTEM  
STEERING SYSTEM  
LENKSYSTEM  
SYSTEME DE GUIDAGE

C 1-1

ST 4-701102  
1306

1	L 5050 148	Ratt - Steering wheel		1	1306
2	L 231 E 102	Signalknapp - Horn button		1	"
3		Mutter - Nut	Loc-King 5/16"	2	"
4	ST 1114	Bricka - Washer		1	"
5	ST 1042 A	Klamma - Clamp		1	"
6		Skruv - Screw	U6S 5/16"x25	2	"
7	ST 6167	Packning - Packing		1	"
8	ST 7329	Styrsnäcka med rattör - Steering gear with steering jacket tube		1	"
9	ST 7321	Lager - Bearing		1	"
10		Skruv - Screw	U6S 1/2"x114	1	"
11		Bricka - Washer	IT 1/2"	3	"
12		Mutter - Nut	U6M 1/2"	3	"
13		Skruv - Screw	U6S 1/2"x45	1	"
14		Skruv - Screw	U6S 1/2"x38	1	"
15	ST 7320	Hävarm - Lever		1	"
16	ST 3001	Axel - Shaft		1	"
17		Saxpinne - Split pin	SP 5x32	1	"
18	ST 1045	Länkar - Link arm		2	"
19	ST 25	Fäste - Bracket		1	"
20		Skruv - Screw	U6S 3/8"x38	2	"
21		Skruv - Screw	U6S 3/8"x51	1	"
22		Bricka - Washer	IT 3/8"	3	"
23		Mutter - Nut	U6M 3/8"	3	"
24	ST 7020	Stativ - Frame		1	"
25	ST 3006	Skruv - Screw		2	"
26	ST 7016	Fäste - Bracket		1	"
27	ST 1040	Bricka - Washer		4	"
28	260 210 170	Fjäder - Spring		2	"
29	ST 6274	Bussning - Bushing		2	"
30		Mutter - Nut	RSK 1248 1/2"R	4	"
31	ST 7021	Bult - Bolt		2	"
32	ST 3014	Bussning - Bushing		8	"
33	ST 3007	Axel - Shaft		1	"
34		Saxpinne - Split pin	SP 5x30	2	"
35	ST 7017	Länkar, yttre - Link arm, outer		1	"
36	ST 7018	Länkar, inre - Link arm, inner		1	"
37		Saxpinne - Split pin	SP 5x30	2	"
38	ST 501	Segment - Segment		1	"
39		Saxpinne - Split pin	SP 5x30	2	"
40	ST 3005	Axel - Shaft		1	"
41	ST 3008	Axel - Shaft		1	"
42	ST 6161	Skruv - Screw		1	"
43		Bricka - Washer	FB 3/8"	1	"
44		Mutter - Nut	UHKM 3/8"UNF	1	"
45		Saxpinne - Split pin	SP 2, 5x20	1	"
46	W 15055	Smörjnippel, rak - Lubrication fitting, straight		1	"
47	ST 1032	Lagerplatta - Bearing plate		1	"
48		Saxpinne - Split pin	SP 5x30	2	"
49	ST 1033	Länkar - Link arm		2	"
50	ST 3007	Axel - Shaft		1	"
51		Saxpinne - Split pin	SP 5x30	2	"
52	ST 3009	Axel - Shaft		1	"
53		Bricka - Washer	FBB 3/8"	2	"
54		Mutter - Nut	U6M 3/8"	2	"
55	ST 3031	Smörjnippel - Lubrication fitting		1	"
56		Klamma - Clamp	RSK 3471 8-14	1	"
57	ST 6121	Slang - Hose		1	"
58	212 720 021	Kil - Key		1	"

C1-1  
ST4-70101F



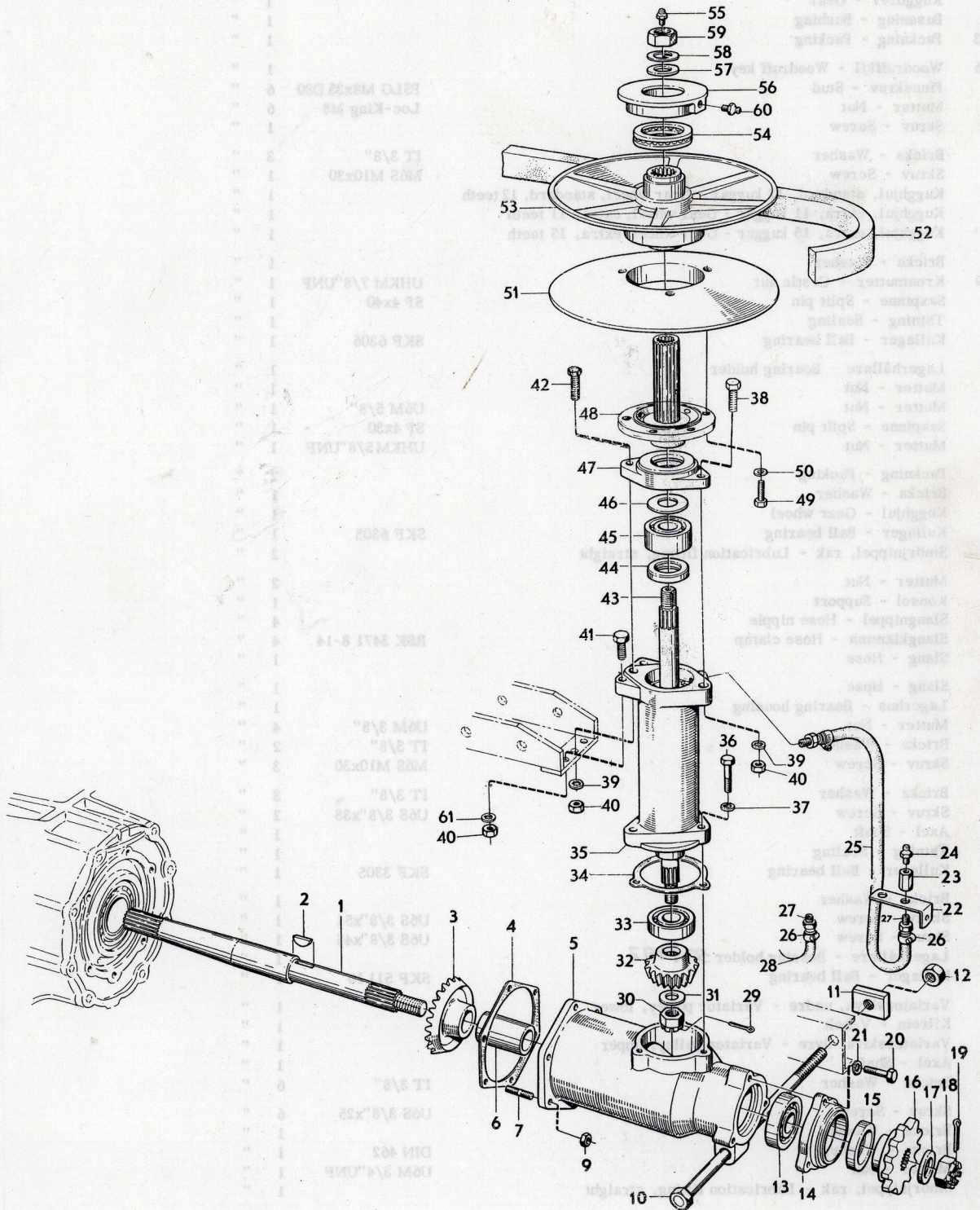
VARIATOR, vänster  
 VARIATOR, left  
 VARIATOR, links  
 VARIATEUR, gauche

**C 2-1**  
 ST 4-701102  
 1306

1	ST 2003 A	Axel - Shaft		1	1306
2	212 720 026	Woodruffkil - Woodruff key		1	"
3	ST 2000	Kuggjul - Gear wheel		1	"
4	111 501 133	Packning - Packing		1	"
5	ST 10	Lagerhus - Bearing housing		1	"
6	ST 6023	Bussning - Bushing		1	"
7		Pinnskruv - Stud	PSLG M8x35	6	"
9		Mutter - Nut	Loc-King M8	6	"
10	ST 7078 A	Skruv - Screw		1	"
11	ST 1208	Mutter - Nut		1	"
12		Mutter - Nut	U6M 5/8"	1	"
13		Kullager - Ball bearing	SKF 6306	1	"
14	ST 12	Fläns - Flange		1	"
15	W 17062	Tätning - Sealing		1	"
16	ST 2002 A	Kuggjul, standard, 12 kuggar - Gear wheel, standard, 12 teeth		1	"
	ST 2027	Kuggjul, extra, 11 kuggar - Gear wheel, extra, 11 teeth		1	"
	ST 2049	Kuggjul, extra, 15 kuggar - Gear wheel, extra, 15 teeth		1	"
17	ST 1180	Bricka - Washer		1	"
18		Kronmutter - Castle nut	UHKM 7/8"UNF	1	"
19		Saxpinne - Split pin	SP 4x40	1	"
20		Skruv - Screw	M6S M10x30	3	"
21		Bricka - Washer	IT 3/8"	3	"
22	ST 1204	Konsol - Support		1	"
23	ST 3032	Mutter - Nut		2	"
24	W 15050	Smörjnippel, rak - Lubrication fitting, straight		2	"
25	ST 6121	Slang - Hose		1	"
26		Klamma - Clamp	RSK 3471, 8-14	3	"
27	ST 3031	Nippel - Nipple		3	"
28	ST 6121	Slang - Hose		1	"
29		Saxpinne - Split pin	SP 4x30	1	"
30		Kronmutter - Castle nut	UHKM 5/8"UNF	1	"
31	ST 1125	Bricka - Washer		1	"
32	ST 2001 A	Kuggjul - Gear wheel		1	"
33		Kullager - Ball bearing	SKF 6305	1	"
34	ST 6143	Packning - Packing		2	"
35	ST 11 A	Lagerhus - Bearing housing		1	"
36		Skruv - Screw	M6S M10x30	3	"
37		Bricka - Washer	IT 3/8"	3	"
38		Skruv - Screw	U6S 3/8"x45	1	"
39		Bricka - Washer	IT 3/8"	2	"
40		Mutter - Nut	U6M 3/8"	4	"
41		Skruv - Screw	U6S 3/8"x38	2	"
42		Skruv - Screw	U6S 3/8"x51	1	"
43	ST 2016 A	Axel - Shaft		1	"
44	W 17068	Tätning - Sealing		1	"
45		Kullager - Ball bearing	SKF 3305	1	"
46	ST 5006	Bricka - Washer		1	"
47	ST 13 A	Fläns - Flange		1	"
48	ST 7688	Axel med fläns - Shaft with flange		1	"
49		Skruv - Screw	U6S 3/8"x25	6	"
50		Bricka - Washer	IT 3/8"	6	"
51	ST 15 B	Variatorskiva, undre - Variator pulley, lower		1	"
52	M 6747	Rem - Belt		1	"
53	ST 16 B	Variatorskiva, övre - Variator pulley, upper		1	"
54		Kullager - Ball bearing	SKF 511 10	1	"
55	W 15055	Smörjnippel, rak - Lubrication fitting, straight		1	"
56	<del>ST 14 A</del>	Lagerhållare - Bearing holder <b>ST 7792</b>		1	"
57	ST 1207	Bricka - Washer		1	"
58	02606	Låsbricka - Lock washer	DIN 462	1	"
59		Mutter - Nut	U6M 3/4"UNF	1	"
60	W 15050	Smörjnippel, rak - Lubrication fitting, straight		1	"
61		Bricka - Washer	FBB 3/8"	2	"

C 3-1  
ST 4-701015

C2-1  
ST4-701015

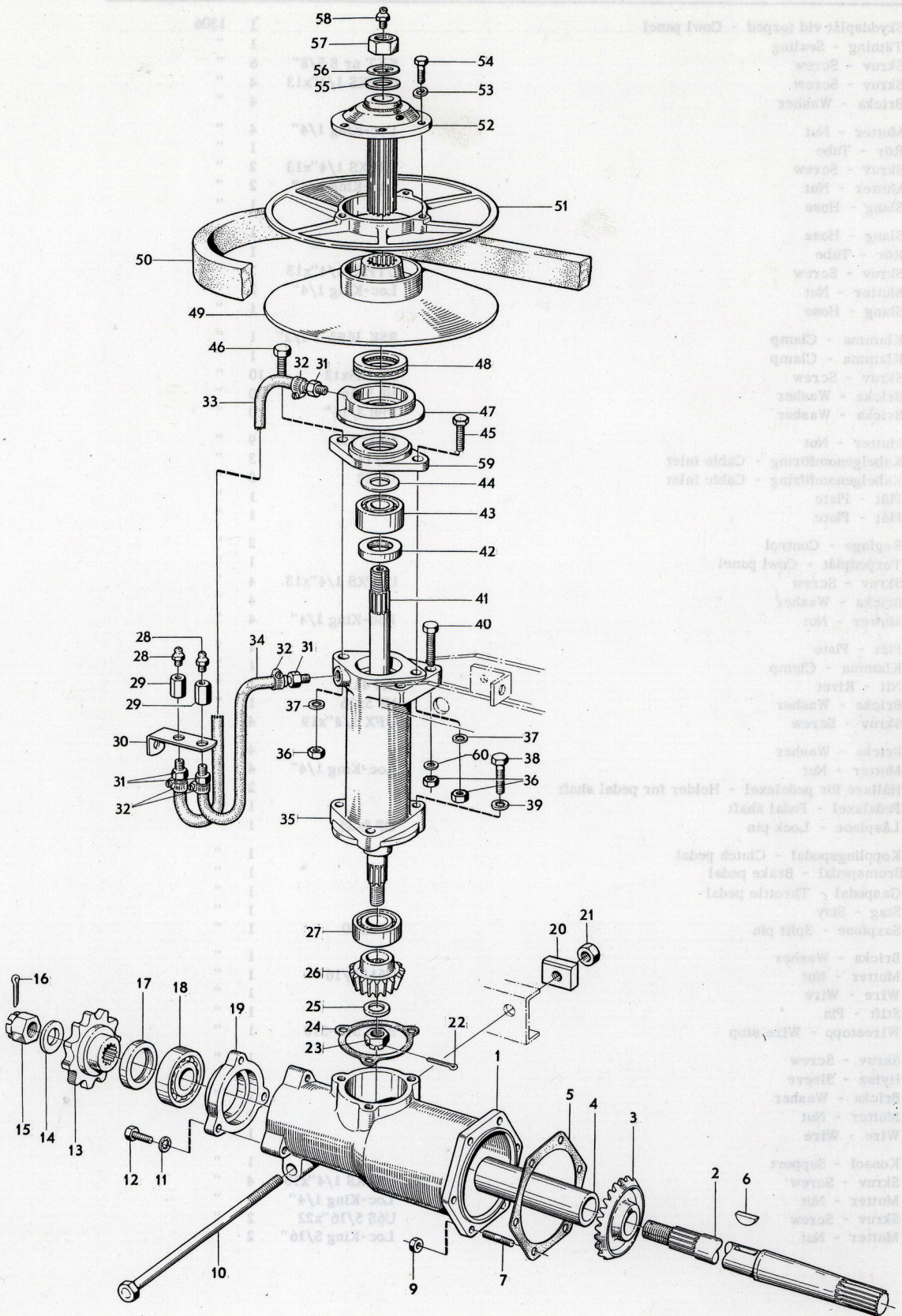


VARIATOR, höger  
 VARIATOR, right  
 VARIATOR, rechts  
 VARIATEUR, droit

# C 3-1

ST 4-701102  
 1306

1	ST 37	Lagerhus - Bearing housing		1	1306
2	ST 2004 A	Axel - Shaft		1	"
3	ST 2000	Kuggdrev - Gear		1	"
4	ST 6022	Bussning - Bushing		1	"
5	111 501 133	Packning - Packing		1	"
6	212 720 026	Woodruffkil - Woodruff key		1	"
7		Pinnskruv - Stud	PSLG M8x35 D80	6	"
9		Mutter - Nut	Loc-King M8	6	"
10	ST 7078 A	Skruv - Screw		1	"
11		Bricka - Washer	IT 3/8"	3	"
12		Skruv - Screw	M6S M10x30	1	"
13	ST 2002 A	Kugghjul, standard, 12 kuggar - Gear wheel, standard, 12 teeth		1	"
	ST 2027	Kugghjul, extra, 11 kuggar - Gear wheel, extra, 11 teeth		1	"
	ST 2049	Kugghjul, extra, 15 kuggar - Gear wheel, extra, 15 teeth		1	"
14	ST 1180	Bricka - Washer		1	"
15	208 830 109	Kronmutter - Castle nut	UHKM 7/8"UNF	1	"
16		Saxpinne - Split pin	SP 4x40	1	"
17	W 17062	Tätning - Sealing		1	"
18		Kullager - Ball bearing	SKF 6306	1	"
19	ST 12	Lagerhållare - Bearing holder		1	"
20	ST 1203	Mutter - Nut		1	"
21		Mutter - Nut	U6M 5/8"	1	"
22		Saxpinne - Split pin	SP 4x30	1	"
23		Mutter - Nut	UHKM5/8"UNF	1	"
24	ST 6143	Packning - Packing		2	"
25	ST 1125	Bricka - Washer		1	"
26	ST 2001 A	Kugghjul - Gear wheel		1	"
27		Kullager - Ball bearing	SKF 6305	1	"
28	W 15050	Smörjnippel, rak - Lubrication fitting, straight		2	"
29	ST 3032	Mutter - Nut		2	"
30	ST 1204	Konsol - Support		1	"
31	ST 3031	Slangnippel - Hose nipple		4	"
32		Slangklämma - Hose clamp	RSK 3471 8-14	4	"
33	ST 6122	Slang - Hose		1	"
34	ST 6123	Slang - Hose		1	"
35	ST 11 A	Lagerhus - Bearing housing		1	"
36		Mutter - Nut	U6M 3/8"	4	"
37		Bricka - Washer	IT 3/8"	2	"
38		Skruv - Screw	M6S M10x30	3	"
39		Bricka - Washer	IT 3/8"	3	"
40		Skruv - Screw	U6S 3/8"x38	2	"
41	ST 2016 A	Axel - Shaft		1	"
42	W 17068	Tätning - Sealing		1	"
43		Kullager - Ball bearing	SKF 3305	1	"
44	ST 5006	Bricka - Washer		1	"
45		Skruv - Screw	U6S 3/8"x51	1	"
46		Skruv - Screw	U6S 3/8"x45	1	"
47	ST 14 A	Lagerhållare - Bearing holder <i>517792</i>		1	"
48		Kullager - Ball bearing	SKF 511 10	1	"
49	ST 16 B	Variatorskiva, undre - Variator pulley, lower		1	"
50	M 6747	Kilrem - V-belt		1	"
51	ST 15 B	Variatorskiva, övre - Variator pulley, upper		1	"
52	ST 7687	Axel - Shaft		1	"
53		Bricka - Washer	IT 3/8"	6	"
54		Skruv - Screw	U6S 3/8"x25	6	"
55	ST 1207	Bricka - Washer		1	"
56	026 06	Bricka - Washer	DIN 462	1	"
57		Mutter - Nut	U6M 3/4"UNF	1	"
58	W 15055	Smörjnippel, rak - Lubrication fitting, straight		1	"
59	ST 13 A	Lock - Cover		1	"
60		Bricka - Washer	FBB 3/8"	2	"

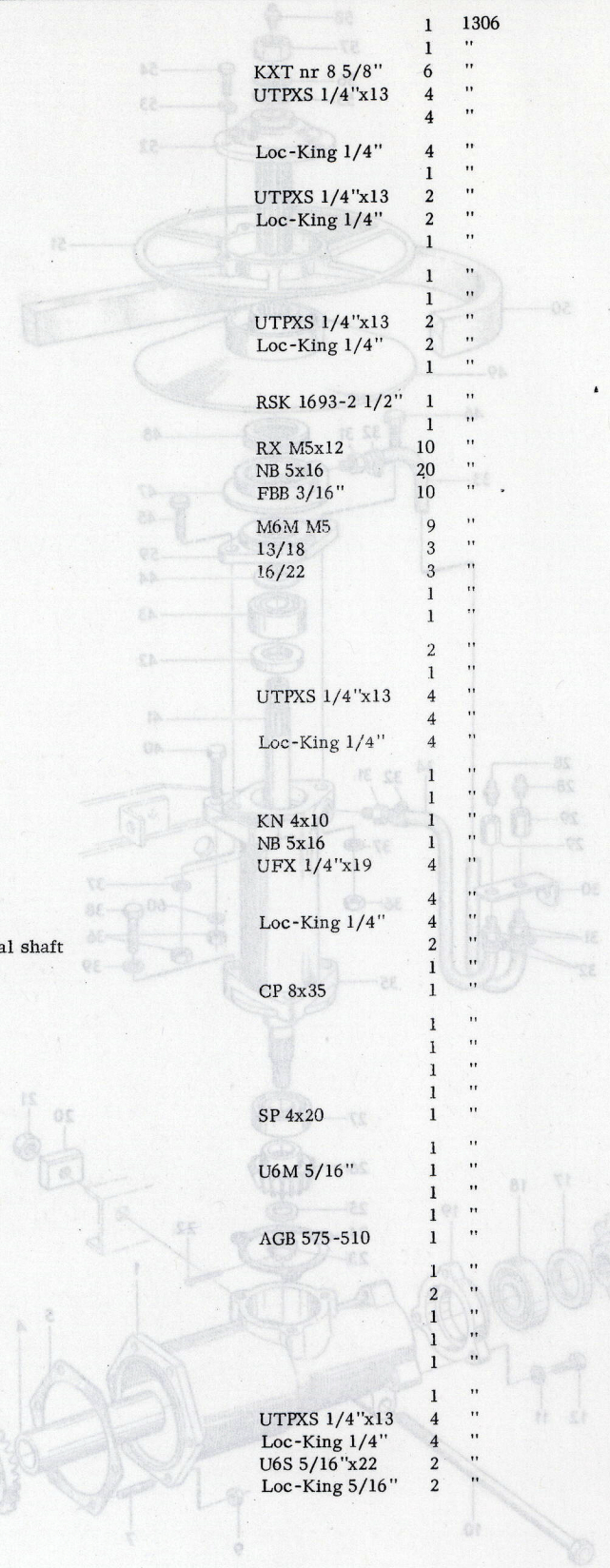


BROMSCYLINDER, PEDALER  
 BRAKE CYLINDER, PEDALS  
 BREMSZYLINDER, PEDALE  
 CYLINDRE DE FREIN, PEDALES

D 1-1

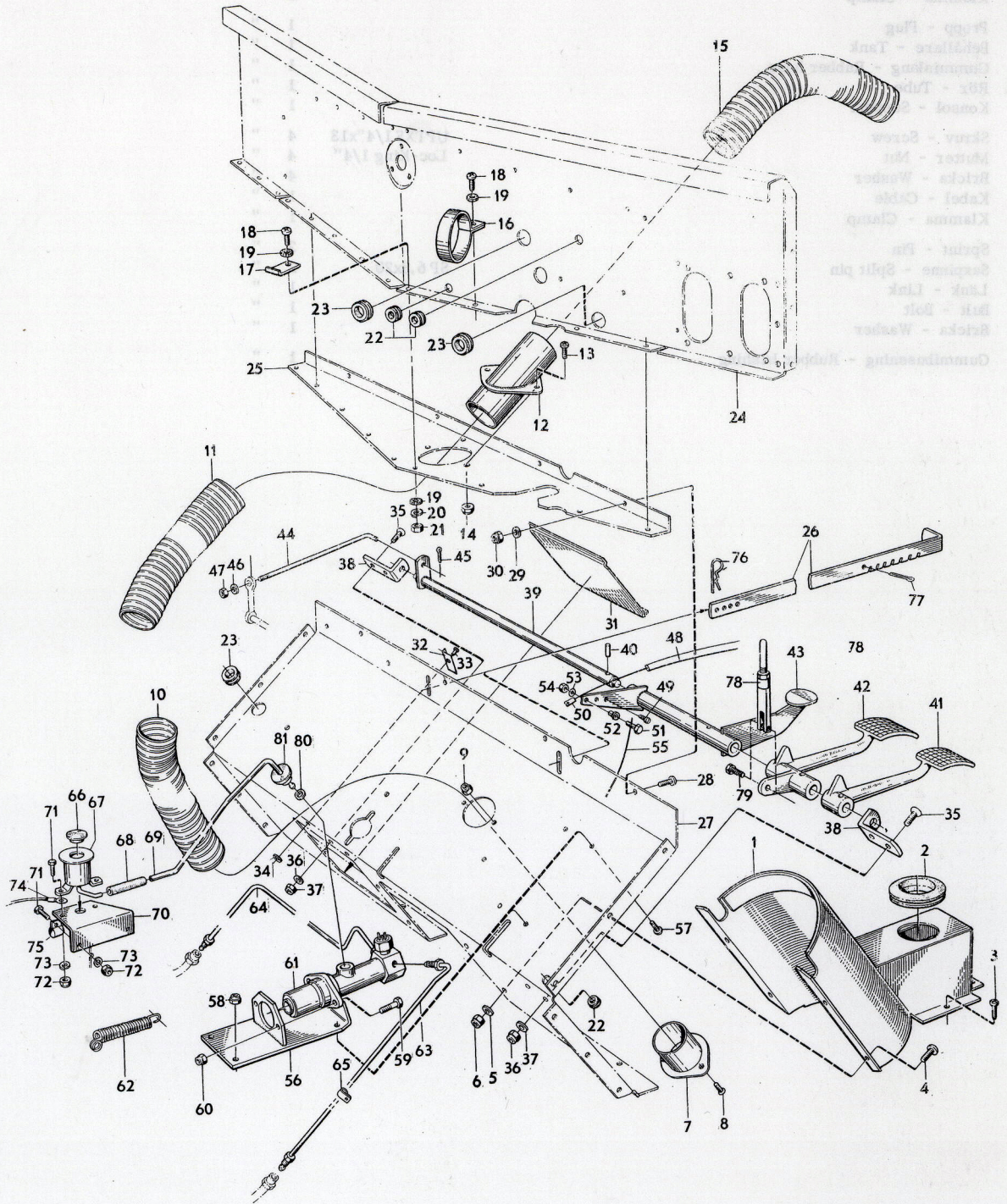
ST 4-701102  
 1306

1	ST 7585	Skyddsplåt vid torped - Cowl panel		1	1306
2	1010760	Tätning - Sealing		1	"
3		Skruv - Screw		6	"
4		Skruv - Screw		4	"
5	W 10006	Bricka - Washer		4	"
6		Mutter - Nut		4	"
7	ST 7181	Rör - Tube		1	"
8		Skruv - Screw		2	"
9		Mutter - Nut		2	"
10	ST 6107 B	Slang - Hose		1	"
11	ST 6106	Slang - Hose		1	"
12	ST 7180 A	Rör - Tube		1	"
13		Skruv - Screw		2	"
14		Mutter - Nut		2	"
15	ST 6160	Slang - Hose		1	"
16		Klamma - Clamp		1	"
17	MS 5289	Klamma - Clamp		1	"
18		Skruv - Screw		10	"
19		Bricka - Washer		20	"
20		Bricka - Washer		10	"
21		Mutter - Nut		9	"
22		Kabelgenomföring - Cable inlet		3	"
23		Kabelgenomföring - Cable inlet		3	"
24	ST 5026 A	Plåt - Plate		1	"
25	ST 5029 A	Plåt - Plate		1	"
26	ST 1211	Reglage - Control		2	"
27	ST 5027 C	Torpedplåt - Cowl panel		1	"
28		Skruv - Screw		4	"
29	W 10006	Bricka - Washer		4	"
30		Mutter - Nut		4	"
31	ST 5104	Plåt - Plate		1	"
32	ST 5430	Klamma - Clamp		1	"
33		Nit - Rivet		1	"
34		Bricka - Washer		1	"
35		Skruv - Screw		4	"
36	W 10006	Bricka - Washer		4	"
37		Mutter - Nut		4	"
38	ST 1062	Hållare för pedalexel - Holder for pedal shaft		2	"
39	ST 7029 A	Pedalexel - Pedal shaft		1	"
40	W 12019	Låspinne - Lock pin		1	"
41	ST 502 A	Kopplingspedal - Clutch pedal		1	"
42	ST 503 B	Bromspedal - Brake pedal		1	"
43	ST 7032 A	Gaspedal - Throttle pedal		1	"
44	ST 2021 A	Stag - Stay		1	"
45		Saxpinne - Split pin		1	"
46	ST 3038	Bricka - Washer		1	"
47		Mutter - Nut		1	"
48	ST 7243	Wire - Wire		1	"
49	200410800	Stift - Pin		1	"
50		Wirestopp - Wire stop		1	"
51	111129171 A	Skruv - Screw		1	"
52	111129173 A	Hylsa - Sleeve		2	"
53	111129147	Bricka - Washer		1	"
54	111129179	Mutter - Nut		1	"
55	ST 7077	Wire - Wire		1	"
56	ST 7033	Konsol - Support		1	"
57		Skruv - Screw		4	"
58		Mutter - Nut		4	"
59		Skruv - Screw		2	"
60		Mutter - Nut		2	"



D1-1  
ST4-701015

D1-1  
ST4-701015



BROMSCYLINDER, PEDALER  
 BRAKE CYLINDER, PEDALS  
 BREMSZYLINDER, PEDALE  
 CYLINDRE DE FREIN, PEDALES

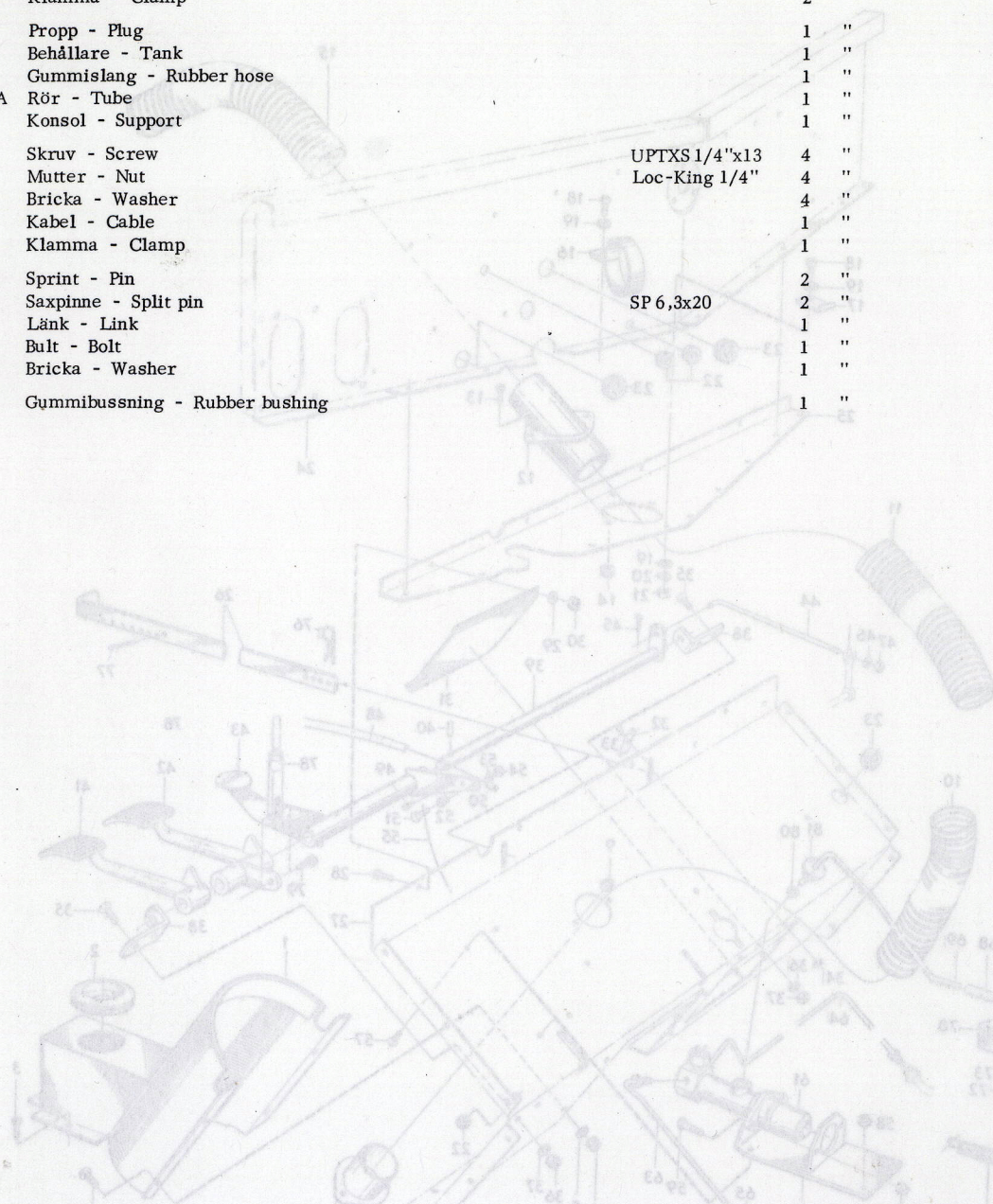
# D 1-1

ST 4-701102  
 1306

61	113611021	Bromscylinder - Brake cylinder	1	1306
62	260110101	Fjäder - Spring	1	"
63	211611723 A	Rör - Tube	1	"
64	211611724 A	Rör - Tube	1	"
65	MS 5283	Klamma - Clamp	2	"
66	113611373	Propp - Plug	1	"
67	113611301	Behållare - Tank	1	"
68	113611801	Gummislang - Rubber hose	1	"
69	113611805 A	Rör - Tube	1	"
70	ST 5089	Konsol - Support	1	"
71		Skruv - Screw	4	"
72		Mutter - Nut	4	"
73	W 10006	Bricka - Washer	4	"
74	ST 7254	Kabel - Cable	1	"
75	ST 5066	Klamma - Clamp	1	"
76	200901803	Sprint - Pin	2	"
77	200541802	Saxpinne - Split pin	2	"
78	ST 7270	Länk - Link	1	"
79	111721219	Bult - Bolt	1	"
80	113611811	Bricka - Washer	1	"
81	113611817	Gummibussning - Rubber bushing	1	"

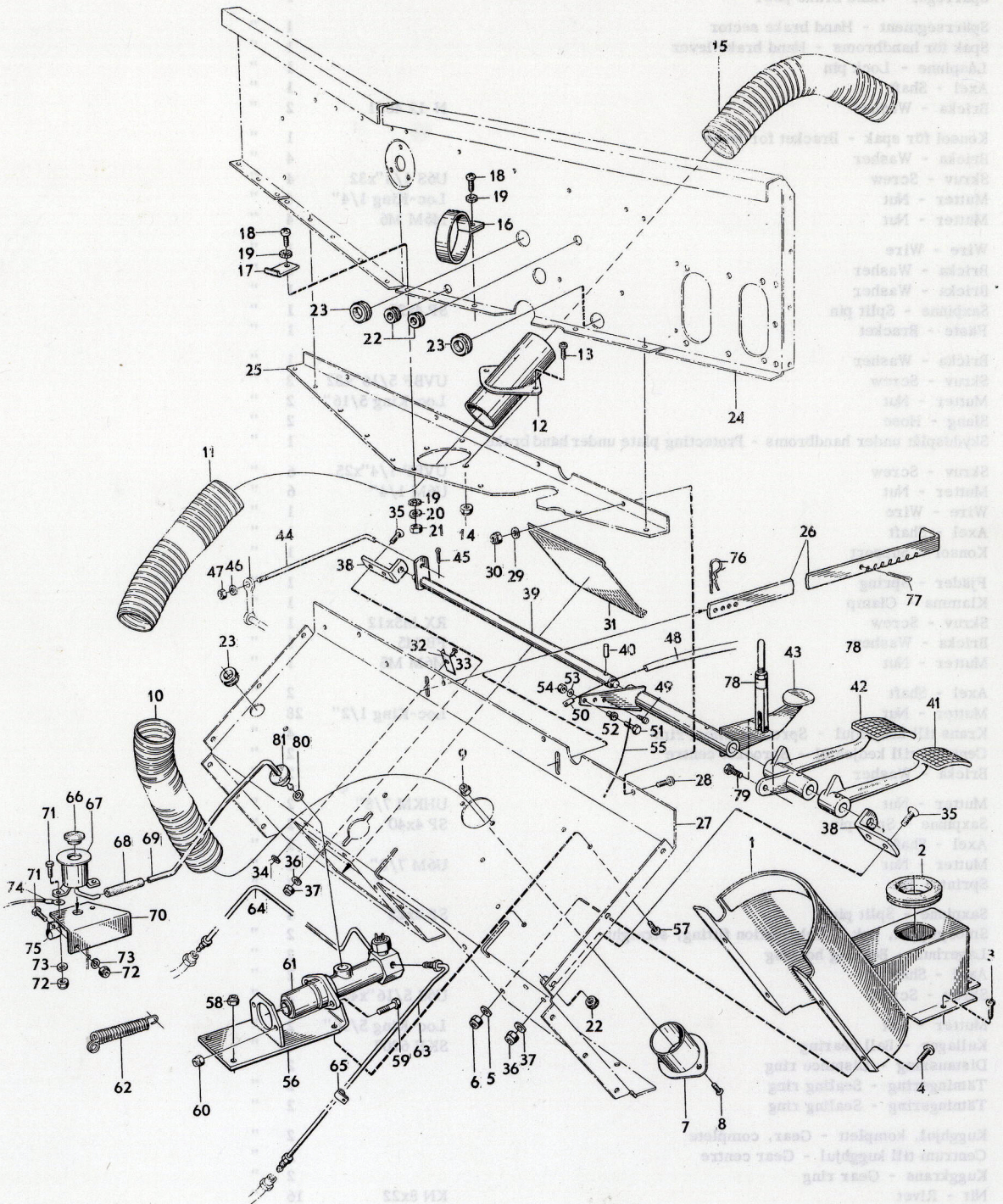
UPTXS 1/4"x13  
 Loc-King 1/4"

SP 6,3x20



D 2-1  
ST 4-701103  
1308

D1-1  
ST4-701015



FOTBROMS, HANDBROMS  
 FOOT BRAKE, HAND BRAKE  
 FUSSBREMSE, HANDBREMSE  
 FREIN A PEDALE, FREIN A MAIN

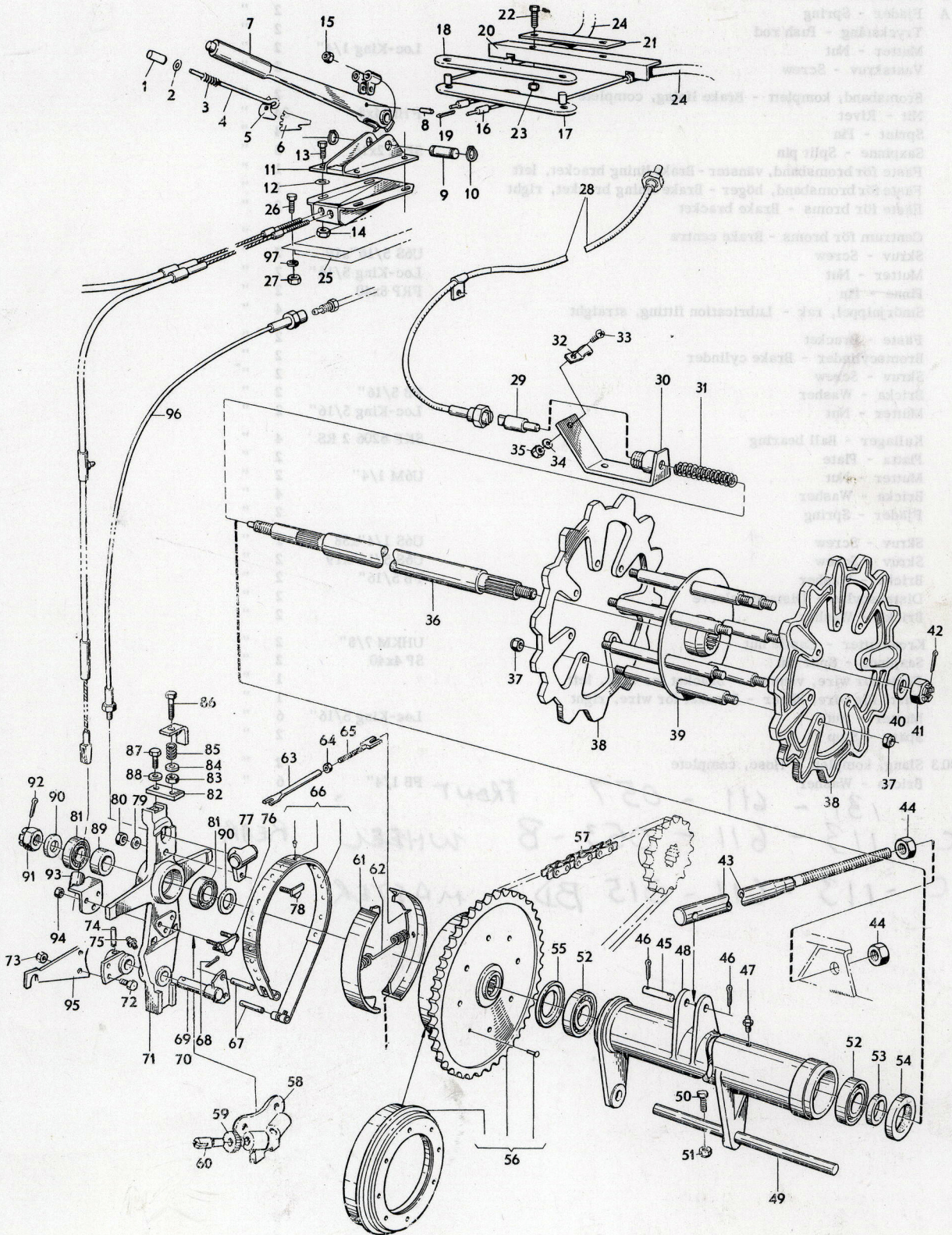
D 2-1

ST 4-701102  
1306

1	114 711 333 A	Trycke - Trigger		1	1306
2	111 711 335	Styrbricka - Guide washer		1	"
3	111 711 329	Spärrfjäder - Hand brake pawl rod spring		1	"
4	111 711 325	Spärrstång - Hand brake pawl rod		1	"
5	111 711 321	Spärregel - Hand brake pawl		1	"
6	211 711 339	Spärrsegment - Hand brake sector		1	"
7	113 711 305	Spak för handbroms - Hand brake lever		1	"
8	111 711 323	Lås-pinne - Lock pin		1	"
9	113 711 341	Axel - Shaft		1	"
10		Bricka - Washer	N 12 4601	2	"
11	ST 7694	Konsol för spak - Bracket for lever		1	"
12	M 12025	Bricka - Washer		4	"
13		Skruv - Screw	U6S 1/4"x32	4	"
14		Mutter - Nut	Loc-King 1/4"	4	"
15		Mutter - Nut	M6M M6	4	"
16	ST 7692	Wire - Wire		1	"
17	ST 1396	Bricka - Washer		1	"
18	ST 7691	Bricka - Washer		1	"
19		Saxpinne - Split pin	SP 4x25	1	"
20	ST 4088	Fäste - Bracket		1	"
21	ST 5445	Bricka - Washer		1	"
22		Skruv - Screw	UVBF 5/16"x32	2	"
23		Mutter - Nut	Loc-King 5/16"	2	"
24	ST 7693	Slang - Hose		2	"
25	ST 7696	Skyddsplåt under handbroms - Protecting plate under hand brake		1	"
26		Skruv - Screw	UVBF 1/4"x25	6	"
27		Mutter - Nut	U6M 1/4"	6	"
28	ST 7189	Wire - Wire		1	"
29	ST 3027	Axel - Shaft		1	"
30	ST 7187	Konsol - Support		1	"
31	W 20015	Fjäder - Spring		1	"
32	255 060 303	Klamma - Clamp		1	"
33		Skruv - Screw	RX M5x12	1	"
34		Bricka - Washer	FB M5	1	"
35		Mutter - Nut	M6M M5	1	"
36	ST 2054	Axel - Shaft		2	"
37		Mutter - Nut	Loc-King 1/2"	28	"
38	ST 52	Krans till kedjehjul - Sprocket wheel rim		4	"
39	ST 7681	Centrum till kedjehjul - Sprocket centre		2	"
40	ST 1180	Bricka - Washer		2	"
41		Mutter - Nut	UHKM 7/8"	2	"
42		Saxpinne - Split pin	SP 4x40	2	"
43	ST 7015	Axel - Shaft		2	"
44		Mutter - Nut	U6M 7/8"	4	"
45	W 12509	Sprint - Pin		2	"
46		Saxpinne - Split pin	SP 4x25	4	"
47	W 15050	Smörjnippel, rak - Lubrication fitting, straight		2	"
48	ST 53	Lagerhus - Bearing housing		2	"
49	ST 3075	Axel - Shaft		2	"
50		Skruv - Screw	U6S 5/16"x45	2	"
51		Mutter - Nut	Loc-King 5/16"	2	"
52		Kullager - Ball bearing	SKF 6207	4	"
53	ST 6010	Distansring - Distance ring		2	"
54	AB45 72 12	Tätningring - Sealing ring		2	"
55	ST 6009	Tätningring - Sealing ring		2	"
56	ST 7489	Kuggghjul, komplett - Gear, complete		2	"
	ST 46	Centrum till kuggghjul - Gear centre		2	"
	ST 34	Kuggkrans - Gear ring		2	"
		Nit - Rivet	KN 8x22	16	"
57	ST 7123	Kedja, komplett - Chain, complete		2	"
	ST 7124	Länk - Link		2	"
	ST 7125	Länk - Link		2	"
58	211 609 171 A	Fäste för bromsback - Brake shoe bracket		2	"
59	211 609 205 A	Justerskruv - Adjusting screw		4	"
60	211 609 209 A	Vantskruv - Screw		4	"

D2-1  
ST4-701015

D2-1  
ST4-701015



FOTBROMS, HANDBROMS  
 FOOT BRAKE, HAND BRAKE  
 FUSSBREMSE, HANDBREMSE  
 FREIN A PEDALE, FREIN A MAIN

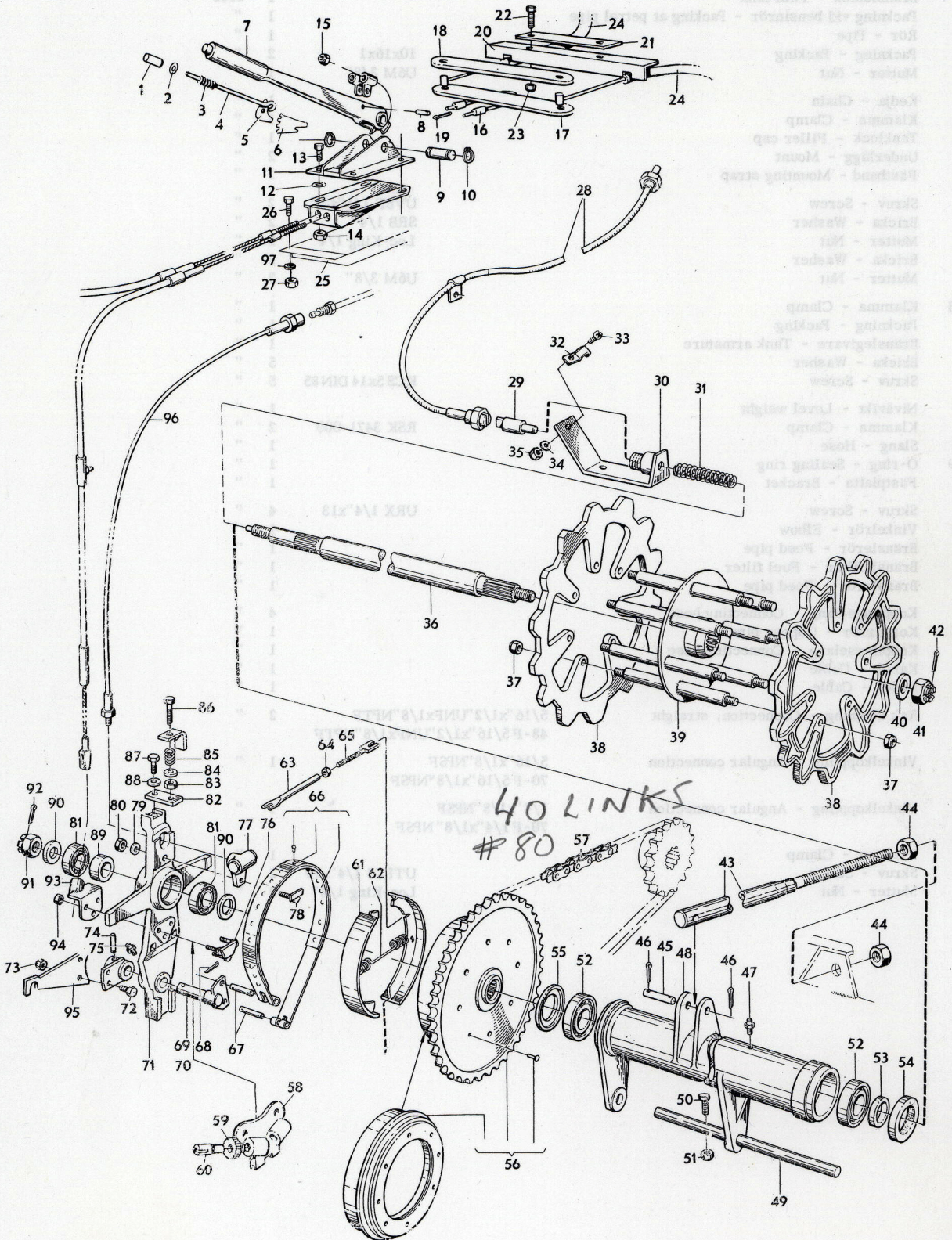
D 2-1

ST 4-701102  
 1306

61	211609537 B	Bromsback - Brake shoe		4	1306
62	211609301 A	Fjäder - Spring		2	"
63	ST 6301	Tryckstång - Push rod		2	"
64		Mutter - Nut	Loc-King 1/4"	2	"
65	ST 7562	Vantskruv - Screw		2	"
66	ST 7483	Bromsband, komplett - Brake lining, complete		2	"
		Nit - Rivet	FHN 4x8	34	"
67	200210407	Sprint - Pin		4	"
68		Saxpinne - Split pin	SP 3,2x16	8	"
69	ST 7487	Fäste för bromsband, vänster - Brake lining bracket, left		1	"
	ST 7488	Fäste för bromsband, höger - Brake lining bracket, right		1	"
70	ST 511	Fäste för broms - Brake bracket		2	"
71	ST 7484	Centrum för broms - Brake centre		2	"
72		Skruv - Screw	U6S 5/16"x19	2	"
73		Mutter - Nut	Loc-King 5/16"	2	"
74		Pinne - Pin	FRP 8x40	2	"
75	W 15050	Smörjnippl, rak - Lubrication fitting, straight		4	"
76	ST 7511	Fäste - Bracket		2	"
77	211611047	Bromscylander - Brake cylinder		2	"
78	ST 7512	Skruv - Screw		2	"
79		Bricka - Washer	FB 5/16"	2	"
80		Mutter - Nut	Loc-King 5/16"	2	"
81		Kullager - Ball bearing	SKF 6206 2 RS	4	"
82	ST 1288	Platta - Plate		2	"
83		Mutter - Nut	U6M 1/4"	2	"
84	W 10008	Bricka - Washer		4	"
85	260210107	Fjäder - Spring		2	"
86		Skruv - Screw	U6S 1/4"x38	2	"
87		Skruv - Screw	U6S 5/16"x19	2	"
88		Bricka - Washer	FB 5/16"	2	"
89	ST 3053	Distanshylsa - Distance sleeve		2	"
90	ST 1180	Bricka - Washer		2	"
91		Kronmutter - Castle nut	UHKM 7/8"	2	"
92		Saxpinne - Split pin	SP 4x40	2	"
93	ST 7486	Fäste för wire, vänster - Bracket for wire, left		1	"
	ST 7485	Fäste för wire, höger - Bracket for wire, right		1	"
94		Mutter - Nut	Loc-King 5/16"	6	"
95	ST 5349	Spärr - Stop		2	"
96	3.5151-0600.3	Slang, komplett - Hose, complete		2	"
97		Bricka - Washer	FB 1/4"	6	"

VWC - 131 - 611 - 057 FRONT  
 VWC - 113 - 611 - 053 - B WHEEL REAR  
 VWC - 113 - 611 - 015 BD MASTER

D2-1  
ST4-701015

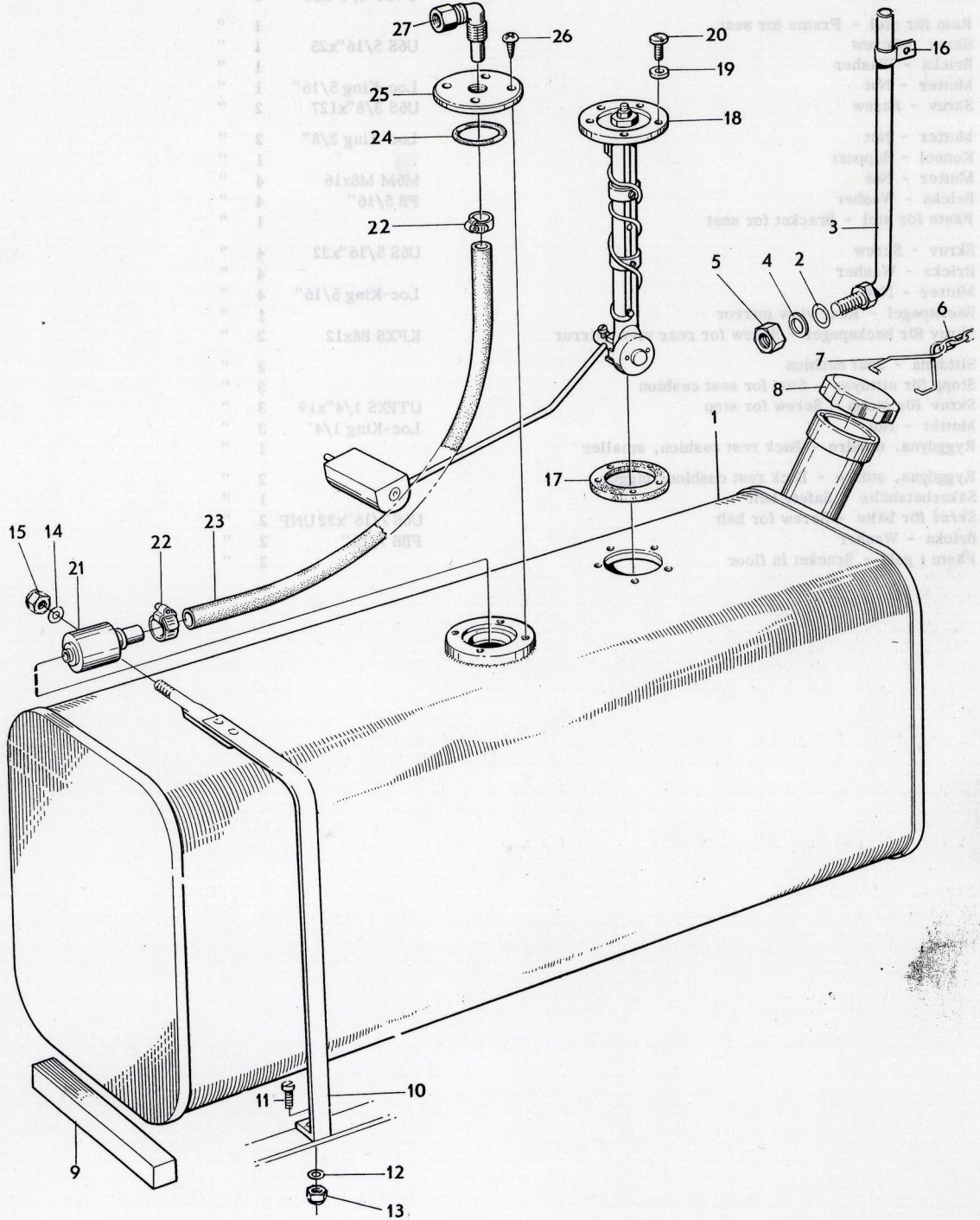


BRÄNSLETANK  
FUEL TANK  
KRAFTSTOFFBEHÄLTER  
RESERVOIR A COMBUSTIBLE

E 1-1

ST 4-701102  
1306

1	ST 7567	Bränsletank - Fuel tank		1	1306
2	ST 6275	Packning vid bensinrör - Packing at petrol pipe		1	"
3	ST 7575	Rör - Pipe		1	"
4		Packning - Packing	10x16x1	2	"
5		Mutter - Nut	U6M 3/8"	1	"
6	ST 7675	Kedja - Chain		1	"
7	ST 3076	Klämma - Clamp		1	"
8	ST 7540	Tanklock - Filler cap		1	"
9	ST 6055	Underlägg - Mount		2	"
10	ST 7061	Fästband - Mounting strap		2	"
11		Skruv - Screw	UVBF 1/4"x32	2	"
12		Bricka - Washer	SRB 1/4"	2	"
13		Mutter - Nut	Loc-King 1/4"	2	"
14	W 10011	Bricka - Washer		2	"
15		Mutter - Nut	U6M 3/8"	2	"
16	255 060 303	Klamma - Clamp		1	"
17	ST 6311	Packning - Packing		1	"
18	ST 7569	Bränslegivare - Tank armature		1	"
19	ST 6310	Bricka - Washer		5	"
20		Skruv - Screw	KCS 5x14 DIN 85	5	"
21	ST 7539	Nivåvikt - Level weight		1	"
22		Klamma - Clamp	RSK 3471-000	2	"
23	ST 6306	Slang - Hose		1	"
24	218 500 409	O-ring - Sealing ring		1	"
25	ST 6289	Fästplatta - Bracket		1	"
26		Skruv - Screw	URX 1/4"x13	4	"
27	ST 7574	Vinkelrör - Elbow		1	"
	ST 6124	Bränslerör - Feed pipe		1	"
	M 8723	Bränslefilter - Fuel filter		1	"
	ST 6353	Bränslerör - Feed pipe		1	"
	ST 6171	Kopplings slang - Connecting hose		4	"
	ST 6354	Kopparrör - Copper pipe		1	"
	ST 6134	Kopplings slang - Connecting hose		1	"
	ST 7619	Kabel - Cable		1	"
	ST 7699	Kabel - Cable		1	"
		Rak koppling - Connexion, straight	5/16"x1/2"UNFx1/8"NPTF 48-F5/16"x1/2"UNFx1/8"NPTF	2	"
		Vinkelkoppling - Angular connection	5/16"x1/8"NPSF 70-F5/16"x1/8"NPSF	1	"
		Vinkelkoppling - Angular connection	1/4"x1/8"NPSF 70-F1/4"x1/8"NPSF	1	"
				1	"
MS 5289		Klamma - Clamp		2	"
		Skruv - Screw	UTEXS 1/4"x19	2	"
		Mutter - Nut	Loc-King 1/4"	2	"

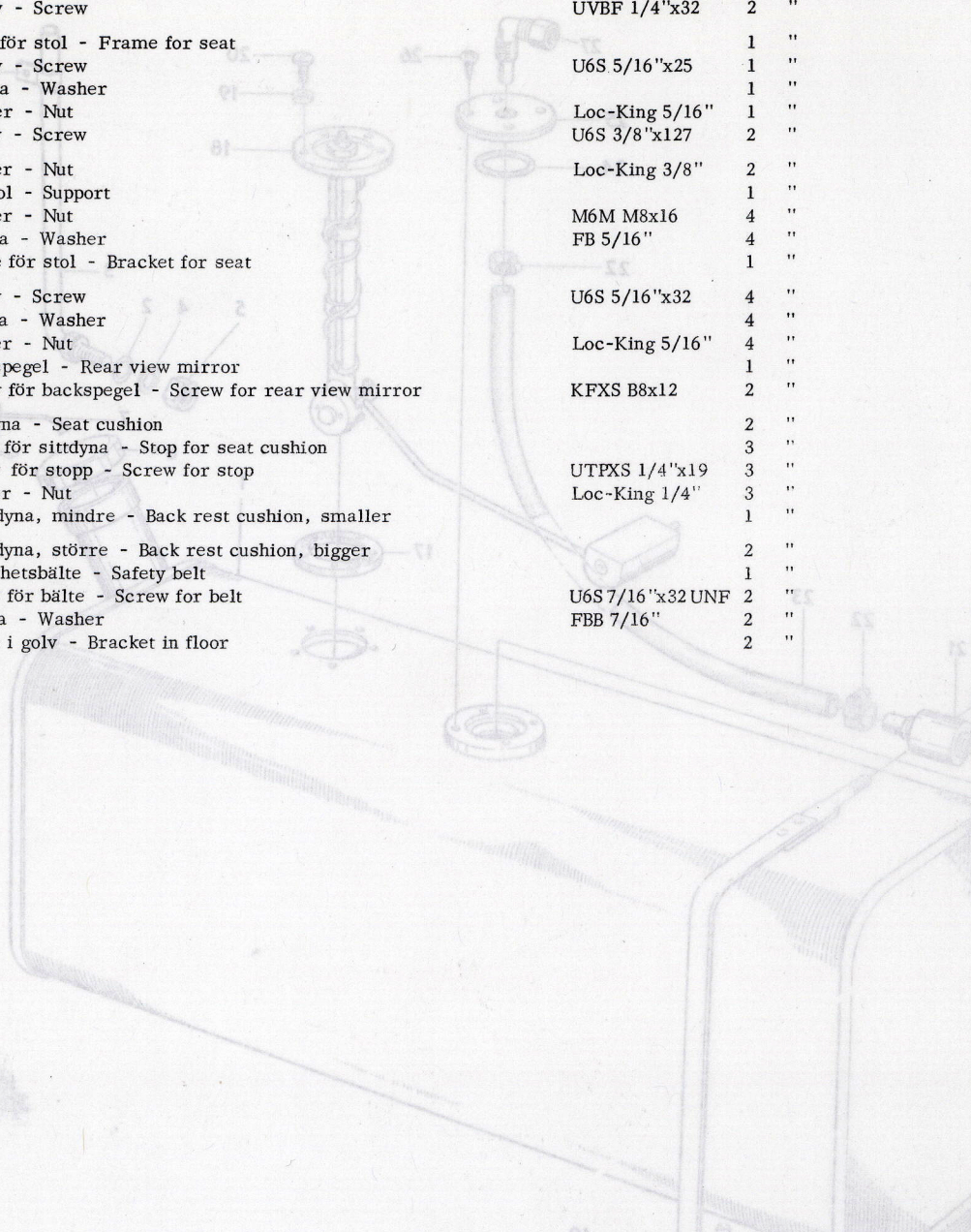


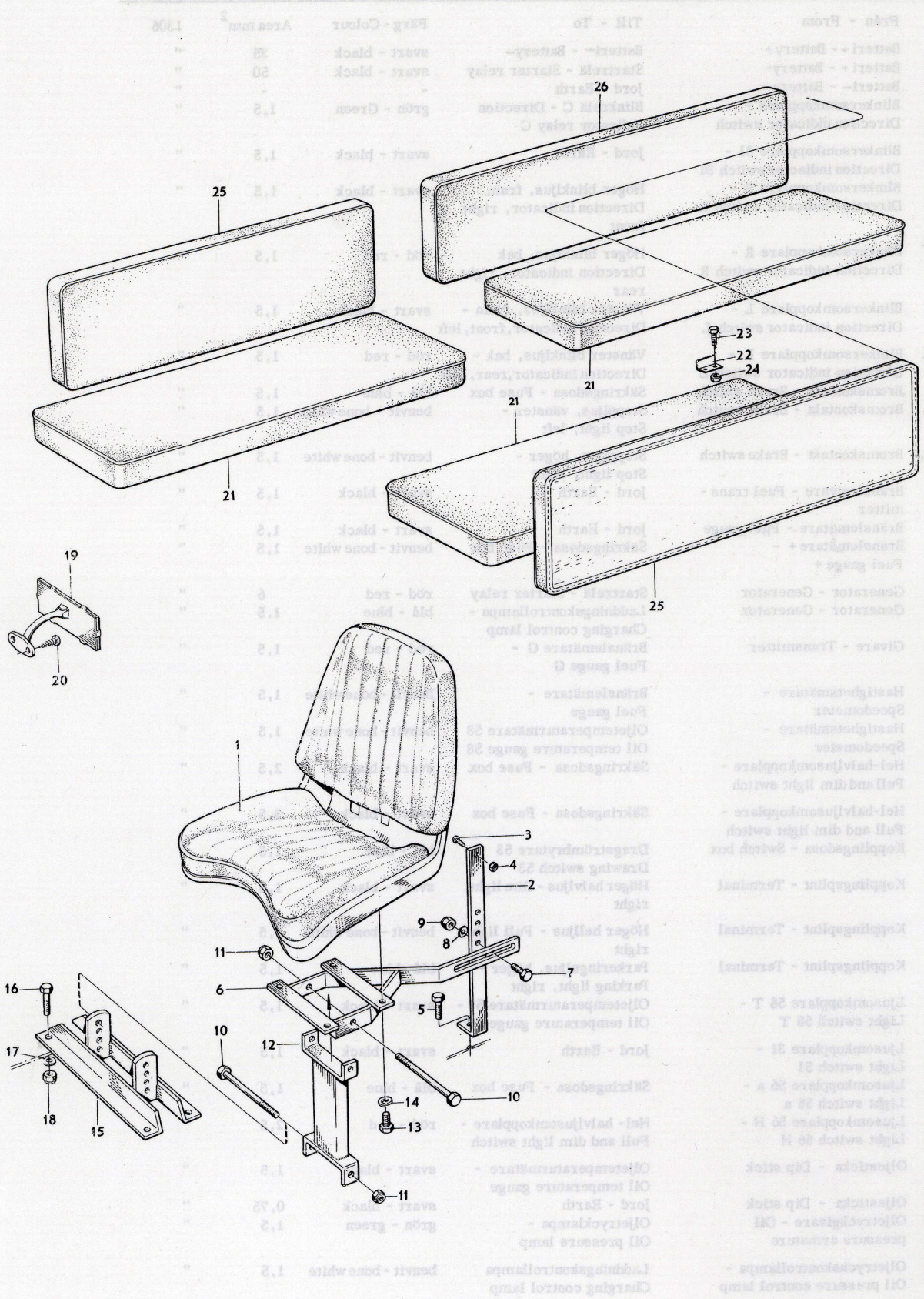
FÖRARSTOL, SITTDYNOR  
 DRIVING SEAT, SEAT CUSHIONS  
 FAHRERSITZ, SITZKISSEN  
 SIEGE DU CONDUCTEUR, COUSSINS

**F 1-1**

ST 4-701102  
 1306

1	ST 7577	Förarstol - Driving seat		1	1306
2	ST 1046	Fästjärn - Bracket		2	"
3		Skruv - Screw	UTPXS 1/4"x19	2	"
4		Mutter - Nut	Loc-King 1/4"	4	"
5		Skruv - Screw	UVBF 1/4"x32	2	"
6	ST 7536	Ram för stol - Frame for seat		1	"
7		Skruv - Screw	U6S 5/16"x25	1	"
8	W 10009	Bricka - Washer		1	"
9		Mutter - Nut	Loc-King 5/16"	1	"
10		Skruv - Screw	U6S 3/8"x127	2	"
11		Mutter - Nut	Loc-King 3/8"	2	"
12	ST 7537	Konsol - Support		1	"
13		Mutter - Nut	M6M M8x16	4	"
14		Bricka - Washer	FB 5/16"	4	"
15	ST 7538	Fäste för stol - Bracket for seat		1	"
16		Skruv - Screw	U6S 5/16"x32	4	"
17	W 10009	Bricka - Washer		4	"
18		Mutter - Nut	Loc-King 5/16"	4	"
19	Y 256	Backspegel - Rear view mirror		1	"
20		Skruv för backspegel - Screw for rear view mirror	KFXS B8x12	2	"
21	ST 7027	Sittdyna - Seat cushion		2	"
22	ST 1357	Stopp för sittdyna - Stop for seat cushion		3	"
23		Skruv för stopp - Screw for stop	UTPXS 1/4"x19	3	"
24		Mutter - Nut	Loc-King 1/4"	3	"
25	ST 7024	Ryggdyna, mindre - Back rest cushion, smaller		1	"
26	ST 7028	Ryggdyna, större - Back rest cushion, bigger		2	"
	690106	Säkerhetsbälte - Safety belt		1	"
		Skruv för bälte - Screw for belt	U6S 7/16"x32 UNF	2	"
		Bricka - Washer	FBB 7/16"	2	"
		Fäste i golv - Bracket in floor		2	"





ELEKTRISK UTRUSTNING, KOPPLINGSSCHEMA  
 ELECTRICAL EQUIPMENT, WIRING DIAGRAM  
 ELEKTRISCHE AUSRÜSTUNG, KUPPLUNGSSCHEMA  
 EQUIPEMENT ELECTRIQUE, CIRCUIT

ST 4-701102  
 1306

	Från - From	Till - To	Färg - Colour	Area mm <sup>2</sup>	1306
1 M 7925	Batteri + - Battery+	Batteri- - Battery-	svart - black	35	"
2 ST 7073 C	Batteri + - Battery+	Startrelä - Starter relay	svart - black	50	"
3 M 8694	Batteri- - Battery-	Jord - Earth	-	-	"
4 ST 7580	Blinkersomkopplare - Direction indicator switch	Blinkrelä C - Direction indicator relay C	grön - Green	1,5	"
5 ST 7098	Blinkersomkopplare 31 - Direction indicator switch 31	Jord - Earth	svart - black	1,5	"
6 ST 7248	Blinkersomkopplare R - Direction indicator switch R	Höger blinkljus, fram Direction indicator, right front	svart - black	1,5	"
7 ST 7425 alt. r ST 7448	Blinkersomkopplare R - Direction indicator switch R	Höger blinkljus, bak Direction indicator, right rear	röd - red	1,5	"
8 ST 7248	Blinkersomkopplare L - Direction indicator switch L	Vänster blinkljus, fram - Direction indicator, front, left	svart - black	1,5	"
9 ST 7426 alt. r ST 7449	Blinkersomkopplare L - Direction indicator switch L	Vänster blinkljus, bak - Direction indicator, rear, left	röd - red	1,5	"
0 ST 7275	Bromskontakt - Brake switch	Säkringsdosa - Fuse box	blå - blue	1,5	"
1 ST 7426 alt. r ST 7449	Bromskontakt - Brake switch	Stoppljus, vänster - Stop light, left	benvit - bone white	1,5	"
2 ST 7425 alt. r ST 7448	Bromskontakt - Brake switch	Stoppljus, höger - Stop light, right	benvit - bone white	1,5	"
3 ST 7699	Bränslegivare - Fuel trans- mitter	Jord - Earth	svart - black	1,5	"
4 ST 7098	Bränslemätare - Fuel gauge	Jord - Earth	svart - black	1,5	"
5 ST 7618	Bränslemätare + - Fuel gauge +	Säkringsdosa - Fuse box	benvit - bone white	1,5	"
6 ST 7250	Generator - Generator	Startrelä - Starter relay	röd - red	6	"
7 ST 7250	Generator - Generator	Laddningskontrollampa - Charging control lamp	blå - blue	1,5	"
8 ST 7619	Givare - Transmitter	Bränslemätare G - Fuel gauge G	röd - red	1,5	"
9 ST 6060	Hastighetsmätare - Speedometer	Bränslemätare - Fuel gauge	benvit - bone white	1,5	"
0 ST 6060	Hastighetsmätare - Speedometer	Oljetemperaturmätare 58 Oil temperature gauge 58	benvit - bone white	1,5	"
1 ST 6155	Hel-halvljusomkopplare - Full and dim light switch	Säkringsdosa - Fuse box	svart - black	2,5	"
2 ST 6155	Hel-halvljusomkopplare - Full and dim light switch	Säkringsdosa - Fuse box	svart - black	2,5	"
3 ST 7628	Kopplingsdosa - Switch box	Dragströmbrytare 53 - Drawing switch 53	blå - blue	1,5	"
4 ST 7251	Kopplingsplint - Terminal	Höger halvljus - Dim light, right	svart - black	1,5	"
5 ST 7251	Kopplingsplint - Terminal	Höger helljus - Full light, right	benvit - bone white	1,5	"
6 ST 7251	Kopplingsplint - Terminal	Parkeringsljus, höger - Parking light, right	blå - blue	1,5	"
7 ST 6089	Ljusomkopplare 58 T - Light switch 58 T	Oljetemperaturmätare 58 - Oil temperature gauge 58	svart - black	1,5	"
8 ST 7098	Ljusomkopplare 31 - Light switch 31	Jord - Earth	svart - black	1,5	"
9 ST 6156	Ljusomkopplare 56 a - Light switch 56 a	Säkringsdosa - Fuse box	blå - blue	1,5	"
0 ST 6154	Ljusomkopplare 56 H - Light switch 56 H	Hel- halvljusomkopplare - Full and dim light switch	röd - red	2,5	"
1 ST 7250	Oljesticka - Dip stick	Oljetemperaturmätare - Oil temperature gauge	svart - black	1,5	"
2 ST 7254	Oljesticka - Dip stick	Jord - Earth	svart - black	0,75	"
3 ST 7250	Oljetryckgivare - Oil pressure armature	Oljetrycklampa - Oil pressure lamp	grön - green	1,5	"
4 ST 6060	Oljetryckskontrollampa - Oil pressure control lamp	Laddningskontrollampa Charging control lamp	benvit - bone white	1,5	"

ELEKTRISK UTRUSTNING, KOPPLINGSSHEMA  
ELECTRICAL EQUIPMENT, WIRING DIAGRAM  
ELEKTRISCHE AUSRÜSTUNG, KUPPLUNGSSHEMA  
EQUIPEMENT ELECTRIQUE, CIRCUIT

G 1-1

ST 4-701102  
1306

	Från - From	Till - To	Färg - Colour	Area mm <sup>2</sup>	1306
35 ST 6060	Oljetryckskontrollampa - Oil pressure control lamp	Tändningslås 61 A - Ignition lock 61 A	benvit - bone white	1,5	"
36 ST 7250	Signalkontakt - Horn button	Signalhorn - Horn	svart - black	1,5	"
37 ST 7249	Startknapp - Starter button	Startrelä - Starter relay	röd - red	1,5	"
38 ST 7250	Säkringsdosa 9 - Fuse box 9	Vänster halvljus - Dim light, left	svart - black	1,5	"
39 ST 7250	Säkringsdosa - Fuse box 9	Höger halvljus, kopplings- plint - Dim light, right- terminal	svart - black	1,5	"
40 ST 7250	Säkringsdosa 9 - Fuse box 9	Vänster helljus - Full light, left	benvit - bone white	1,5	"
41 ST 7250	Säkringsdosa 9 - Fuse box 9	Höger helljus, kopplings- plint - Full light, right, terminal	benvit - bone white	1,5	"
42 ST 7250	Säkringsdosa 9 - Fuse box 9	Vänster parkeringsljus - Parking light, left	blå - blue	1,5	"
43 ST 7250	Säkringsdosa 9 - Fuse box 9	Höger parkeringsljus, kopplingsplint - Parking light, right, terminal	blå 9 - blue 9	1,5	"
44 ST 7250	Säkringsdosa 9 - Fuse box 9	Signalhorn - Horn	grön - green	1,5	"
45 ST 7250	Säkringsdosa 9 - Fuse box 9	Tändspole - Ignition coil	gul - yellow	1,5	"
46 ST 7258	Säkringsdosa 9 - Fuse box 9	Oljetemperaturmätare + - Oil temperature gauge +	blå - blue	1,5	"
47 ST 6079	Säkringsdosa 9 - Fuse box 9	Ljusomkopplare 58 T - Light switch 58 T	gul - yellow	1,5	"
48 ST 7426 alt. or ST 7449	Säkringsdosa 9 - Fuse box 9	Vänster bakljus - Tail lamp, left	grön - green	1,5	"
49 ST 7426 alt. or ST 7449	Säkringsdosa 9 - Fuse box 9	Nummerskyltbelysning - Number plate lamp	gul - yellow	1,5	"
50 ST 7425 alt. or ST 7448	Säkringsdosa 9 - Fuse box 9	Höger bakljus - Tail lamp, right	grön - green	1,5	"
51 ST 7248	Säkringsdosa 9 - Fuse box 9	Innerbelysning-Interior light	svart - black	1,5	"
52 ST 6298	Säkringsdosa 9 - Fuse box 9	Laddningsrelä 51 - Current limit relay 51	blå - blue	2,5	"
53 ST 6058	Tändningslås 30 - Ignition lock 30	Ljusomkopplare 30 A - Light switch 30 A	blå - blue	2,5	"
54 ST 6069	Tändningslås 15/54 - Ignition lock 15/54	Startknapp - Starter button	svart - black	1,5	"
55 ST 6068	Tändningslås 15/54 - Ignition lock 15/54	Säkringsdosa - Fuse box	benvit - bone white	1,5	"
56 ST 7249	Tändningslås 30 - Ignition lock 30	Startrelä - Starter relay	svart - black	4	"
57 ST 7578	Säkringsdosa - Fuse box	Blinkrelä 49 - Direction indicator relay 49	blå - blue	1,5	"
58 ST 7579	Blinkljusomkopplare 54 - Direction indicator switch 54	Blinkrelä 49 a - Direction indicator relay 49a	gul - yellow	1,5	"
59 ST 7628	Kopplingsdosa - Fuse box	Dragströmbrytare 53 Drawing switch 53	blå - blue	1,5	"
60 ST 7621	Vindrutetorkarmotor - Windshield wiper engine	Dragströmbrytare 53 Drawing switch 53	grön - green	1,5	"
61 ST 7621	" "	" " 53 a	svart - black	1,5	"
62 ST 7621	" "	" " 53 b	gul - yellow	1,5	"

ELEKTRISK UTRUSTNING, KOPPLINGSSCHEMA (Standard)  
 ELECTRICAL EQUIPMENT, WIRING DIAGRAM (Standard)  
 ELEKTRISCHE AUSRÜSTUNG, KUPPLUNGSSCHEMA (Standard)  
 EQUIPEMENT ELECTRIQUE, CIRCUIT (Standard)

G 1-1

ST 4B-691130  
 1221

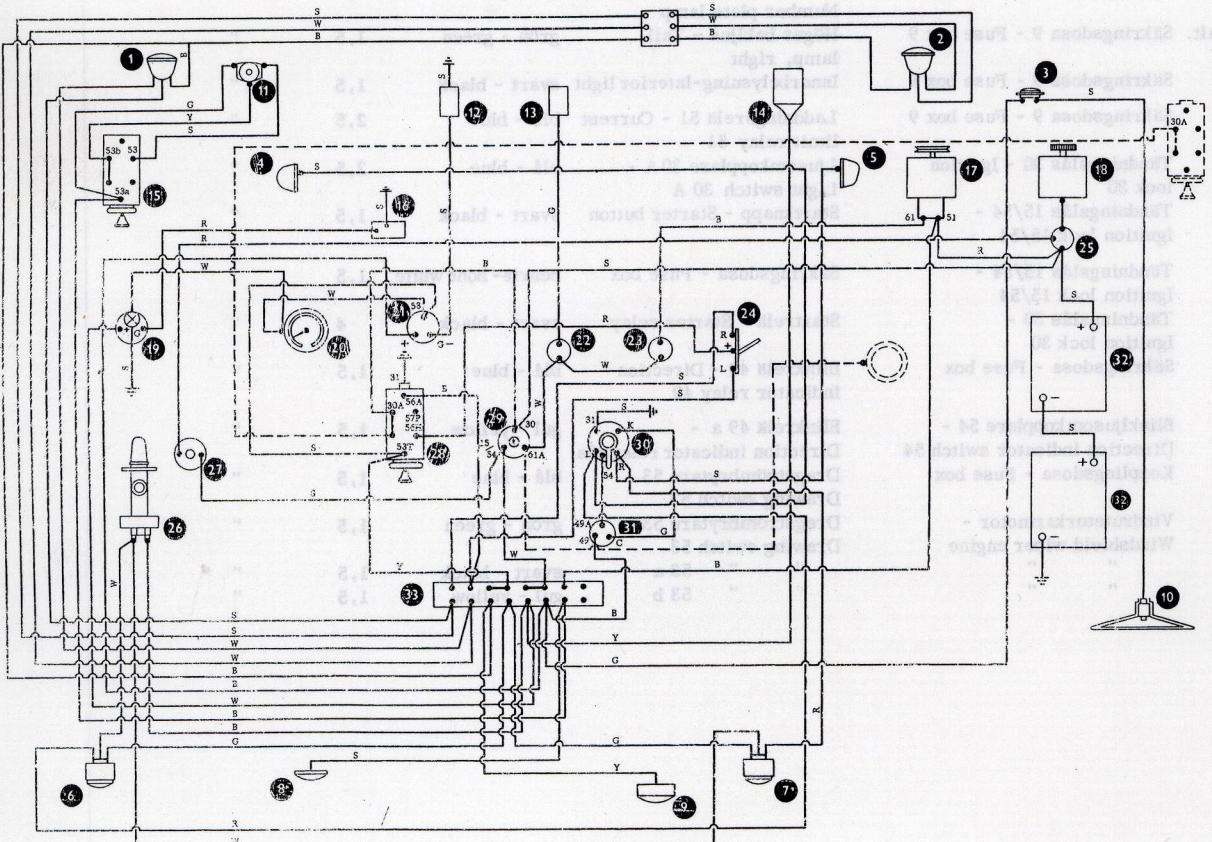
- S Svart - Black - Schwarz - Noir
- W Benvit - Bone white - Beinweiss - Blanc
- Y Gul - Yellow - Gelb - Jaune
- R Röd - Red - Rot - Rouge
- G Grün - Green - Grün - Vert
- B Blå - Blue - Blau - Bleu

1. Strålkastare, vänster
2. Strålkastare, höger
3. Signalhorn
4. Blinker, främre, vänster
5. Blinker, främre, höger
6. Baklykta, vänster
7. Baklykta, höger
8. Innerbelysning
9. Skyltlykta
10. Signalkontakt
11. Torkarmotor
12. Oljesticka
13. Oljetryckgivare
14. Tändspole
15. Torkarkontakt
16. Bränslemängdsgivare
17. Generator
18. Startmotor
19. Bränslemätare
20. Hastighetsmätare
21. Oljetemperaturmätare
22. Oljetryckskontrolllampe
23. Laddningskontrolllampe
24. Ljusomkopplare
25. Startrelä
26. Bromsljuskontakt
27. Startkontakt
28. Ljuskontakt
29. Tändningelås
30. Blinkeromkopplare
31. Blinkrelä
32. 6 V batteri
33. Säkringslåsa

1. Head lamp, left
2. Head lamp, right
3. Horn
4. Direction indicator, front, left
5. Direction indicator, front, right
6. Tail lamp, left
7. Tail lamp, right
8. Interior light
9. Number plate lamp
10. Horn button
11. Windshield wiper engine
12. Dipstick
13. Oil pressure armature
14. Ignition coil
15. Windshield wiper switch
16. Fuel crasmitter
17. Generator
18. Staxter engine
19. Fuel gauge
20. Speedometer
21. Oil temperature gauge
22. Oil pressure control lamp
23. Charging control lamp
24. Light switch
25. Starter relay
26. Brake switch
27. Starter button
28. Light switch
29. Ignition lock
30. Direction indicator switch
31. Direction indicator relay
32. 6 V battery
33. Fuse box

1. Scheinwerfer, links
2. Scheinwerfer, rechts
3. Hupe
4. Blinker, vorderer, links
5. Blinker, vorderer, rechts
6. Schlusslicht, links
7. Schlusslicht, rechts
8. Innenbeleuchtung
9. Nummernschildlampe
10. Hupkontakt
11. Windschutzscheibenwischermotor
12. Ölmesstab
13. Öldruckgeber
14. Zündspule
15. Windschutzscheibenwischerkontakt
16. Kraftstoffgeber
17. Generator
18. Anlassmotor
19. Kraftstoffmesser
20. Geschwindigkeitsmesser
21. Öltemperaturanzeiger
22. Öldruckkontrollampe
23. Ladepfüllampe
24. Lichtschaltaler
25. Anlassrelais
26. Bremskontakt
27. Anlasserknopf
28. Lichtschalter
29. Zündschloss
30. Blinkschalter
31. Blinkrelais
32. 6 V Batterie
33. Sicherungsdose

1. Phare, gauche
2. Phare, droite
3. Corne
4. Indicateur de direction, gauche, avant
5. Indicateur de direction, droit, avant
6. Feu arrière, gauche
7. Feu arrière, droit
8. Eclairage intérieur
9. Eclairage de la plaque
10. Bouton de corne
11. Moteur d'essui-glace
12. Jauge d'huile
13. Armature de pression d'huile
14. Bobine d'allumage
15. Commutateur d'essui glace
16. Transmission de combustible
17. Dynamo
18. Moteur de démarrage
19. Jaugeur de carburant
20. Indicateur de vitesse
21. Thermomètre d'huile
22. Lampe-témoin de pression d'huile
23. Lampe-témoin de charge de batterie
24. Conjoncteur d'éclairage
25. Relais de démarrage
26. Contact de frein
27. Démarreur
28. Interrupteur de feu
29. Serrure d'allumage
30. Commutateur des indicateurs de direction
31. Relais des indicateurs de direction
32. 6 V Batterie
33. Boite à fusibles



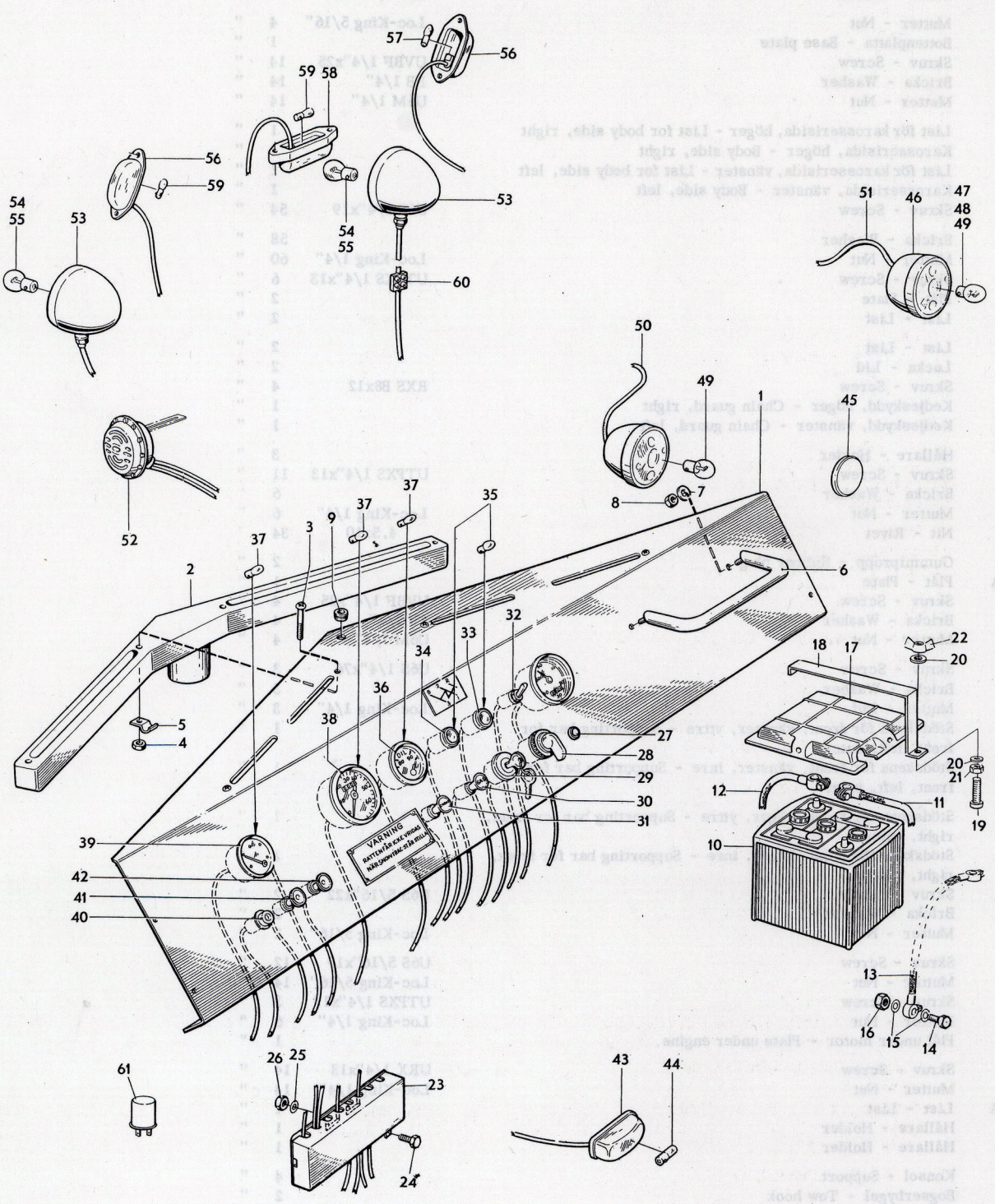
INSTRUMENT, LAMPOR  
INSTRUMENTS, LAMPS  
INSTRUMENTE, LAMPEN  
INSTRUMENTS, FEUX

ST 4-701102  
1306

1	ST 5028 A	Instrumentbräda - Instrument panel		1	1306
2	ST 7308	Munstycke för defroster - Defroster jet		1	"
3		Skruv - Screw	RX M5x35	4	"
4		Mutter - Nut	M6M M5	4	"
5	255.060.303	Klamma - Clamp		1	"
6	ST 7333	Handtag - Handle		1	"
7	M 12295	Bricka - Washer		2	"
8		Mutter - Nut	Loc-King 1/4"	2	"
9		Kabelgenömföring - Cable inlet	12/17	1	"
10		Batteri - Battery	6 V 85 Ah	2	"
11	M 7925	Förbindningskabel - Connecting cable		1	"
12	ST 7073 C	Startkabel - Starter cable		1	"
13	M 8694	Jordkabel - Earth cable		1	"
14		Skruv - Screw	U6S 5/16"x19	1	"
15	W 10008	Bricka - Washer		2	"
16		Mutter - Nut	Loc-King 5/16"	1	"
17	91 18 01 A	Lock för batteri - Battery cover		2	"
18	ST 1043	Bygel - Clamp		2	"
19		Skruv - Screw	UVBF 5/16"x45	3	"
20	W 10008	Bricka - Washer		3	"
21		Mutter - Nut	U6M 5/16"	3	"
22	209 111 102	Vingmutter - Wing nut		3	"
23		Säkringsdosa - Fuse box	Hella 32/8	1	"
24		Skruv - Screw	RX M5x19	2	"
25		Bricka - Washer	FB M5	2	"
26		Mutter - Nut	M6M M5	2	"
27	ST 6337	Plugg - Plug		1	"
28		Strömbrytare för blinkers - Direction indicator switch	Hella 51/82-6	1	"
29		Tändningslås - Ignition lock	Hella 31/46	1	"
30	ST 7243	Handgasreglage - Throttle control		1	"
31	MS 7395	Chokereglage - Choke control		1	"
32		Strömställare för strålkastare - Head lamp switch	Hella 91/3	1	"
33		Laddningslampa - Charging control lamp	Hella 50/12	1	"
34		Lampa för oljetryck - Oil pressure control lamp	Hella 50/13	1	"
35		Glödlampa - Bulb	12 V 2 W BA 9s	2	"
36		Oljetemperaturmätare - Oil temperature gauge	VDO 310/10/16,12V	1	"
37		Glödlampa - Bulb	12 V 2 W Ba 7s	1	"
38		Hastighetsmätare - Speedometer	VDO 120.00/104/39	1	"
39		Bränslemätare - Fuel gauge	VDO 301.251/2/5	1	"
40		Startkontakt - Starter switch	Hella 81/10	1	"
41		Strömställare för vindrutetorkare - Windshield wiper switch	Bosch 0340.109.005	1	"
42		Ljuskontakt - Light switch	Hella 21/41	1	"
43		Nummerplåtsbelysning - Number plate lamp	Hella K 20-6	1	"
44		Glödlampa - Bulb	12 V 10 W S 8,5	1	"
45		Reflektor - Reflector	Hella nr R 9	2	"
46		Blinker - Direction indicator	Hella SBBL 3-11-(2)	2	"
47		Glödlampa (blinker) - Bulb (direction indicator)	12 V 18 W Ba 15s	2	"
48		Glödlampa (bakljus) - Bulb (tail lamp)	12 V 5 W	2	"
49		Glödlampa (bromsljus) - Bulb (brake light)	12 V 18 W Ba 15s	2	"
50	ST 7449	Kable - Cable		1	"
51	ST 7448	Kabel - Cable		1	"
52		Signalhorn - Horn	Hella B 31-12V	1	"
53		Strålkastare - Head lamp	Hella 130/95K	2	"
54		Glödlampa (strålkastare) - Bulb (head lamp)	12 V 40/45 W Ba 20d	2	"
55		Glödlampa (parkeringljus) - Bulb (parking light)	12 V 2 W Ba 9s	2	"
56		Sidoblinker - Side direction indicator	Stribel SBL 125/1027	2	"
57		Glödlampa - Bulb	12 V 18 W S 8,5	2	"
58		Innerbelysning i tak - Interior light	Hella 20-1	1	"
59		Glödlampa - Bulb	12 V 5 W S 8,5	1	"
60	A 27382	Kopplingsplint - Terminal		1	"
61		Blinkrelä - Direction indicator relay	91 P2x15/21/18-12V	1	"

H-1-1  
ST-4-701015  
1967

G2-1  
ST4-701015



RAM, FRONTPARTI, SIDOR  
 FRAME, FRONT PART, SIDES  
 RAHMEN, VORDERER TEIL, SEITEN  
 CHASSIS, PARTIE ANTERIEURE, COTES

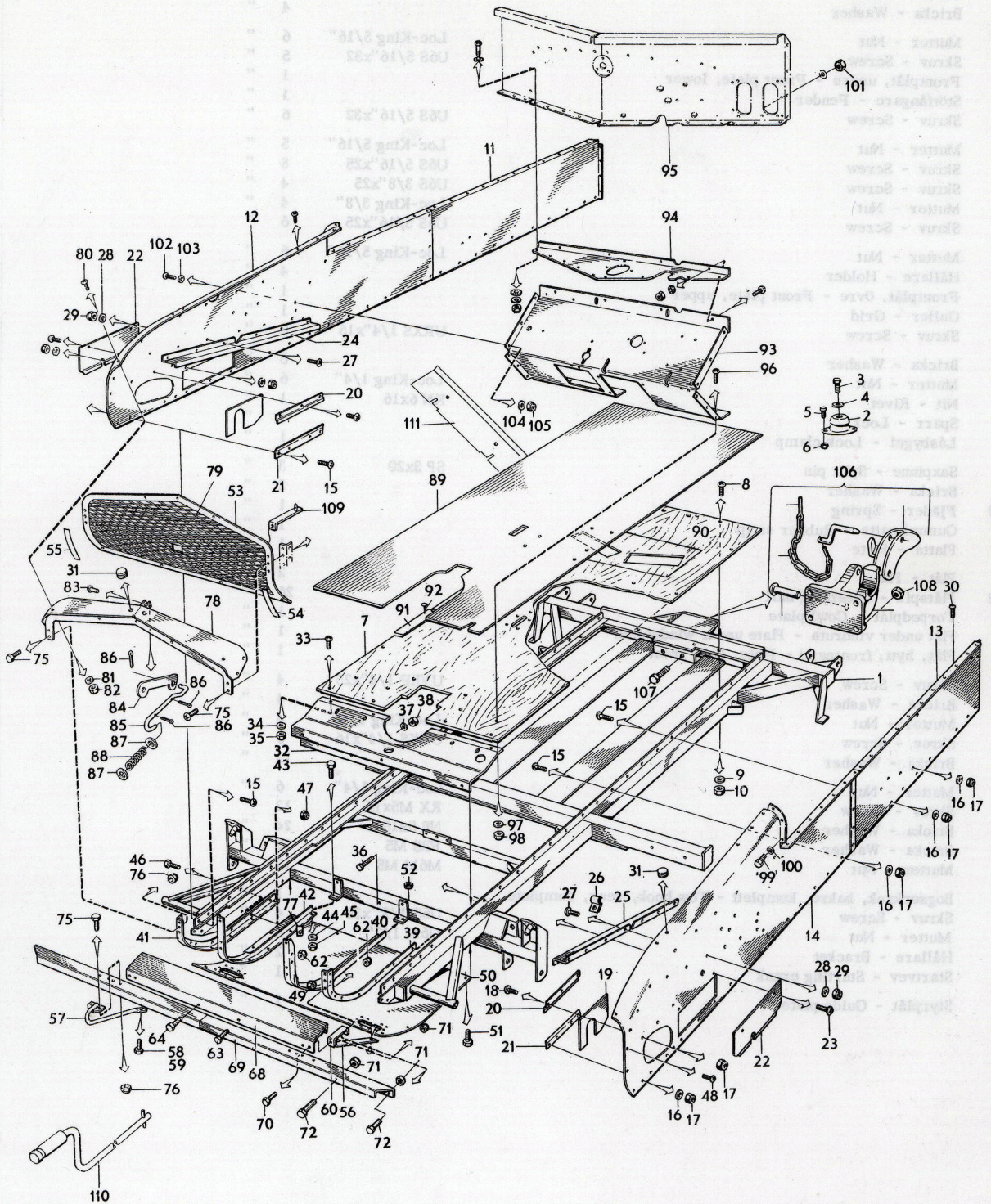
H 1-1

ST 4-701102  
1306

1	ST 7662	Ram - Frame		1	1306
2	1007720	Fäste - Bracket		2	"
3		Skruv - Screw	U6S 1/2"x25 UNF	2	"
4		Bricka - Washer	IT 1/2"	2	"
5		Skruv - Screw	U6S 5/16"x16	4	"
6		Mutter - Nut	Loc-King 5/16"	4	"
7	ST 6364	Bottenplatta - Base plate		1	"
8		Skruv - Screw	UVBF 1/4"x25	14	"
9		Bricka - Washer	FB 1/4"	14	"
10		Mutter - Nut	U6M 1/4"	14	"
11	ST 5016	List för karosserisida, höger - List for body side, right		1	"
12	ST 5285	Karosserisida, höger - Body side, right		1	"
13	ST 5017	List för karosserisida, vänster - List for body side, left		1	"
14	ST 5379	Karosserisida, vänster - Body side, left		1	"
15		Skruv - Screw	U6S 1/4"x19	54	"
16	W 10006	Bricka - Washer		58	"
17		Mutter - Nut	Loc-King 1/4"	60	"
18		Skruv - Screw	UTPXS 1/4"x13	6	"
19	ST 5123	Plåt - Plate		2	"
20	ST 5125	List - List		2	"
21	ST 5124	List - List		2	"
22	ST 5440	Lucka - Lid		2	"
23		Skruv - Screw	RXS B8x12	4	"
24	ST 5130	Kedjeskydd, höger - Chain guard, right		1	"
25	ST 5129	Kedjeskydd, vänster - Chain guard, left		1	"
26	MS 5283	Hållare - Holder		3	"
27		Skruv - Screw	UTPXS 1/4"x13	11	"
28	W 10006	Bricka - Washer		6	"
29		Mutter - Nut	Loc-King 1/4"	6	"
30		Nit - Rivet	4,5x10	34	"
31	ST 1579	Gummipropp - Rubber plug		2	"
32	ST 5047 A	Plåt - Plate		1	"
33		Skruv - Screw	UVBF 1/4"x25	4	"
34		Bricka - Washer	FB 1/4"	4	"
35		Mutter - Nut	U6M 1/4"	4	"
36		Skruv - Screw	U6S 1/4"x76	3	"
37	W 10006	Bricka - Washer		3	"
38		Mutter - Nut	Loc-King 1/4"	3	"
39	ST 7714	Stödskena för front, vänster, yttre - Supporting bar for front, left, outer		1	"
40	ST 7716	Stödskena för front, vänster, inre - Supporting bar for front, left, inner		1	"
41	ST 7713	Stödskena för front, höger, yttre - Supporting bar for front, right, outer		1	"
42	ST 7715	Stödskena för front, höger, inre - Supporting bar for front, right, inner		1	"
43		Skruv - Screw	U6S 5/16"x22	2	"
44	W 10008	Bricka - Washer		2	"
45		Mutter - Nut	Loc-King 5/16"	2	"
46		Skruv - Screw	U6S 5/16"x19	12	"
47		Mutter - Nut	Loc-King 5/16"	14	"
48		Skruv - Screw	UTPXS 1/4"x19	3	"
49		Mutter - Nut	Loc-King 1/4"	6	"
50	ST 7553	Plåt under motor - Plate under engine		1	"
51		Skruv - Screw	URX 1/4"x13	14	"
52		Mutter - Nut	Loc-King 1/4"	14	"
53	ST 6054 A	List - List		1	"
54	ST 5135	Hållare - Holder		1	"
55	ST 5136	Hållare - Holder		1	"
56	ST 1051	Konsol - Support		4	"
57	ST 7233	Bogserbygel - Tow hook		2	"
58		Skruv - Screw	U6S 3/8"x38	2	"
59		Mutter - Nut	Loc-King 3/8"	2	"
60	ST 1050	Konsol - Support		4	"

H-1-1  
ST 4-701015  
1967

H1-1  
ST4-701015

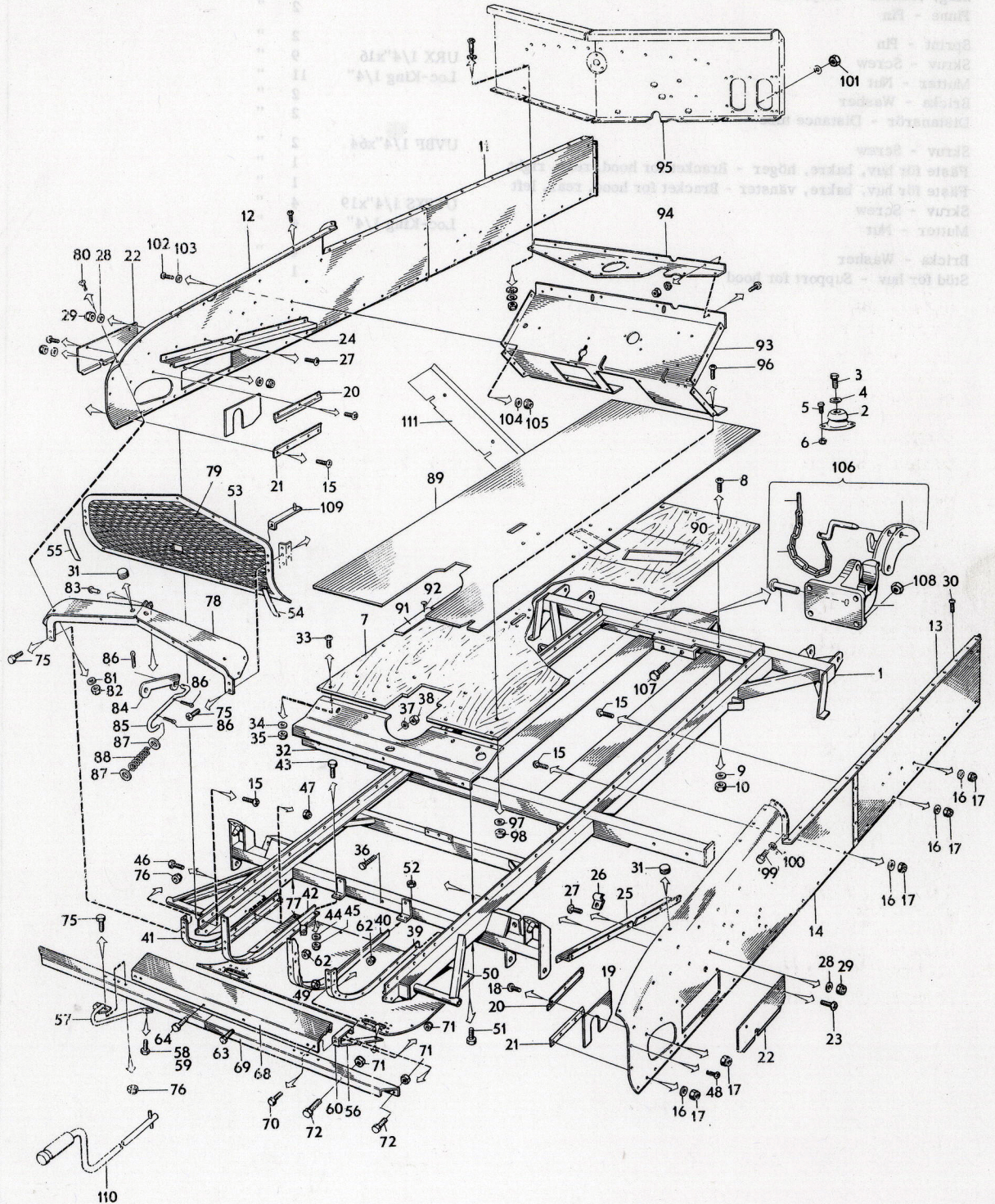


RAM, FRONTPARTI, SIDOR  
 FRAME, FRONT PART, SIDES  
 RAHMEN, VORDERER TEIL, SEITEN  
 CHASSIS, PARTIE ANTERIEURE, COTES

ST 4-701102  
 1306

61	Skruv - Screw	UVBF 5/16"x38	1	1306
62	Mutter - Nut	Loc-King 5/16"	2	"
63	Skruv - Screw	UVBF 5/16"x25	1	"
64	Skruv - Screw	U6S 5/16"x25	6	"
65	W 10008 Bricka - Washer		4	"
66	Mutter - Nut	Loc-King 5/16"	6	"
67	Skruv - Screw	U6S 5/16"x32	5	"
68	ST 7256 Frontplåt, undre - Front plate, lower		1	"
69	ST 7224 Stötfångare - Fender		1	"
70	Skruv - Screw	U6S 5/16"x32	6	"
71	Mutter - Nut	Loc-King 5/16"	5	"
72	Skruv - Screw	U6S 5/16"x25	8	"
73	Skruv - Screw	U6S 3/8"x25	4	"
74	Mutter - Nut	Loc-King 3/8"	4	"
75	Skruv - Screw	U6S 5/16"x25	6	"
76	Mutter - Nut	Loc-King 5/16"	6	"
77	MS 5289 Hållare - Holder		4	"
78	ST 7057 Frontplåt, övre - Front plate, upper		1	"
79	ST 6054 A Galler - Grid		1	"
80	Skruv - Screw	URXS 1/4"x16	6	"
81	W 10006 Bricka - Washer		6	"
82	Mutter - Nut	Loc-King 1/4"	6	"
83	Nit - Rivet	KN 6x16	1	"
84	ST 1052 Spärr - Lock		1	"
85	ST 3010 Låsbygel - Lock clamp		1	"
86	Saxpinne - Split pin	SP 3x20	3	"
87	W 10007 Bricka - Washer		2	"
88	260 210 110 Fjäder - Spring		1	"
89	ST 6380 Gummimatta - Rubber strip		1	"
90	ST 5281 Platta - Plate		1	"
91	ST 5282 Plåt - Plate		2	"
92	221 103 802 Plåtspik - Sheathing nail		26	"
93	ST 5027 C Torpedplåt - Cowl plate		1	"
94	ST 5029 A Plåt under vindruta - Plate under windshield		1	"
95	ST 5026 A Plåt, hytt, frontparti - Plate, cab, front		1	"
96	Skruv - Screw	UVBF 1/4"x25	4	"
97	W 10006 Bricka - Washer		4	"
98	Mutter - Nut	Loc-King 1/4"	4	"
99	Skruv - Screw	URXS 1/4"x16	6	"
100	W 10006 Bricka - Washer		12	"
101	Mutter - Nut	Loc-King 1/4"	6	"
102	Skruv - Screw	RX M5x16	12	"
103	Bricka - Washer	NB 5x16	24	"
104	Bricka - Washer	FBB M5	12	"
105	Mutter - Nut	M6M M5	12	"
106	ST 7062 Bogserkrok, bakre, komplett - Tow hook, rear, complete		1	"
107	Skruv - Screw	U6S 1/2"x38	4	"
108	Mutter - Nut	U6M 1/2"	4	"
109	ST 7257 Hållare - Bracket		2	"
110	ST 7041 Startvev - Starting crank		1	"
111	ST 5134 Styrplåt - Guide plate		1	"

H1-1  
ST4-701015



# H 2-1

ST 4-701102  
1306

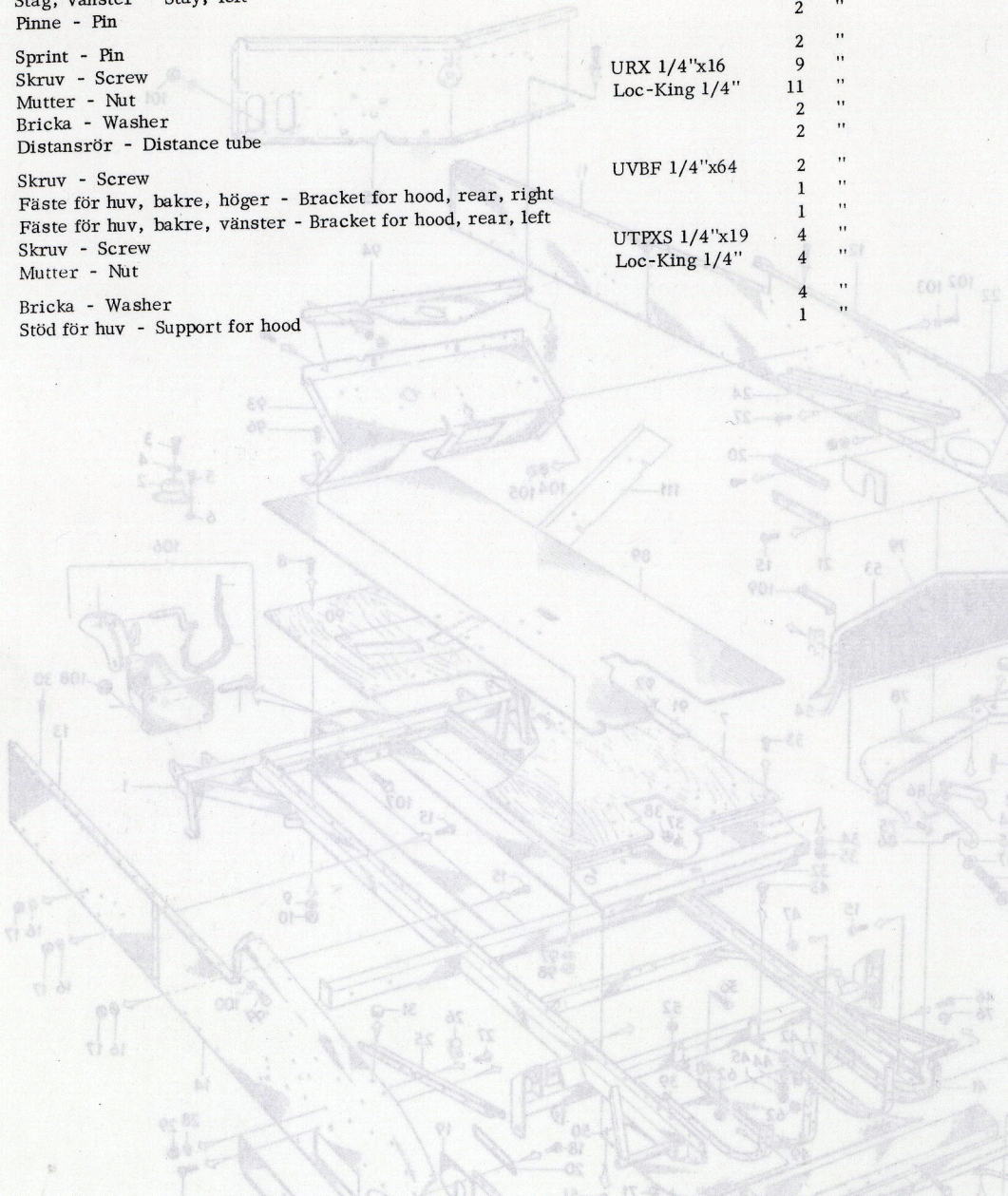
MOTORHUV  
ENGINE HOOD  
MOTORHAUBE  
BONNET

1	ST 7088	Motorhuv, komplett - Engine hood, complete	1	1306
2	ST 1054	Fästjärn för huv, främre - Bracket for engine hood, front	1	"
3	ST 7059	Stag, höger - Stay, right	1	"
4	ST 7058	Stag, vänster - Stay, left	1	"
5	200 410 807	Pinne - Pin	2	"
6	200 901 803	Sprint - Pin	2	"
7		Skruv - Screw	9	"
8		Mutter - Nut	11	"
9	W 10006	Bricka - Washer	2	"
10	ST 6323	Distansrör - Distance tube	2	"
11		Skruv - Screw	2	"
12	ST 5041	Fäste för huv, bakre, höger - Bracket for hood, rear, right	1	"
13	ST 5042	Fäste för huv, bakre, vänster - Bracket for hood, rear, left	1	"
14		Skruv - Screw	4	"
15		Mutter - Nut	4	"
16	W 10006	Bricka - Washer	1	"
17		Stöd för huv - Support for hood		

URX 1/4"x16  
Loc-King 1/4"

UVBF 1/4"x64

UTPXS 1/4"x19  
Loc-King 1/4"

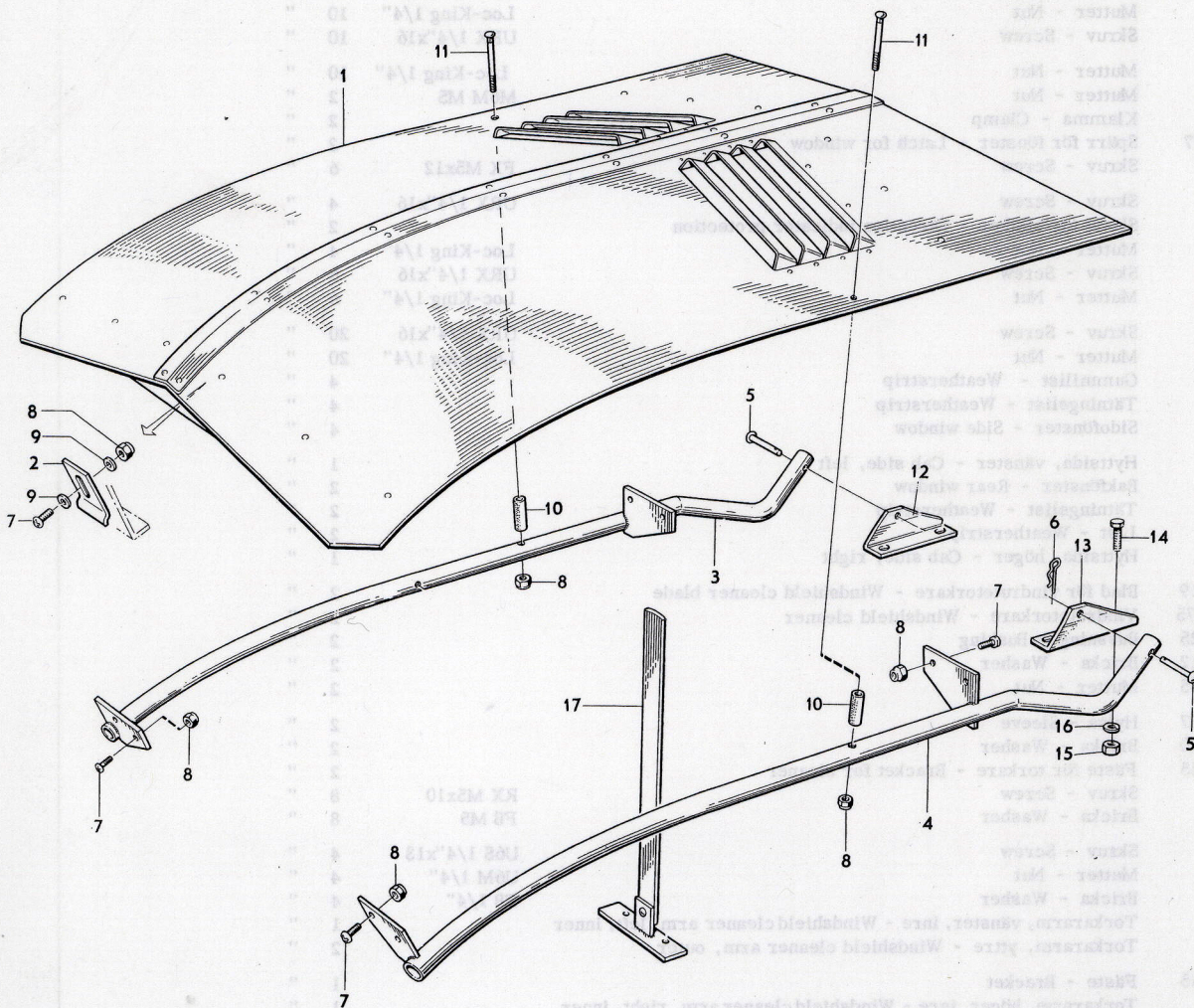


H-4-1

ST 4-701015  
1300

H2-1

ST4-701015



HYTT, ÖVRE OCH NEDRE DEL  
 CAB, UPPER AND LOWER PART  
 FAHRERHAUS, OBERER UND UNTERER TEIL  
 CABINE, PARTIE SUPERIEURE ET INFERIEURE

H 4-1

ST 4-701102  
1306

1	Hytt, främre del, svetsad - Cab, front part, welded		1	1306
2	ST 6200	Vindruta - Windshield	2	"
3	ST 6366	Tättningslist för vindruta - Weatherstrip for windshield	2	"
4	ST 6371	List för vindruta - Weatherstrip for windshield	2	"
5	ST 7081	Vindskydd, komplett - Windshield, complete	1	"
6	ST 6315	List - Weatherstrip	2	"
7	ST 6316	List - Weatherstrip	2	"
8	ST 6314	List - Weatherstrip	2	"
9	ST 6313	List - Weatherstrip	2	"
10	ST 6201	Sidoruta, främre - Side window, front	2	"
11	ST 6372	List - Weatherstrip	2	"
12	ST 6367	Tättningslist - Weatherstrip	2	"
13		Skruv - Screw		
		URX 1/4"x45	10	"
14		Mutter - Nut		
		Loc-King 1/4"	10	"
15		Skruv - Screw		
		URX 1/4"x16	10	"
16		Mutter - Nut		
		Loc-King 1/4"	10	"
17		Mutter - Nut		
		M6M M5	2	"
18	ST 3073	Klamma - Clamp	2	"
19	GM 144967	Spärr för fönster - Latch for window	2	"
20		Skruv - Screw		
		FX M5x12	6	"
21		Skruv - Screw		
		URX 1/4"x16	4	"
22	ST 1286	Skydd för blinker - Direction indicator protection	2	"
23		Mutter - Nut		
		Loc-King 1/4"	4	"
24		Skruv - Screw		
		URX 1/4"x16	6	"
25		Mutter - Nut		
		Loc-King 1/4"	6	"
26		Skruv - Screw		
		URX 1/4"x16	20	"
27		Mutter - Nut		
		Loc-King 1/4"	20	"
28	ST 6373	Gummilist - Weatherstrip	4	"
29	ST 6368	Tättningslist - Weatherstrip	4	"
30	ST 6202	Sidofönster - Side window	4	"
31	ST 7429	Hyttsida, vänster - Cab side, left	1	"
32	ST 6300	Bakfönster - Rear window	2	"
33	ST 6369	Tättningslist - Weatherstrip	2	"
34	ST 6374	List - Weatherstrip	2	"
35	ST 7430	Hyttsida, höger - Cab side, right	1	"
36	3398 110 119	Blad för vindrutetorkare - Windshield cleaner blade	2	"
37	3398 100 475	Vindrutetorkare - Windshield cleaner	2	"
38	3390 500 025	Bussning - Bushing	2	"
39	3390 109 012	Bricka - Washer	2	"
40	3393 300 005	Mutter - Nut	2	"
41	3390 500 057	Hylsa - Sleeve	2	"
42	3390 206 050	Bricka - Washer	2	"
43	3398 003 325	Fäste för torkare - Bracket for cleaner	2	"
44		Skruv - Screw		
		RX M5x10	8	"
45		Bricka - Washer		
		FB M5	8	"
46		Skruv - Screw		
		U6S 1/4"x13	4	"
47		Mutter - Nut		
		U6M 1/4"	4	"
48		Bricka - Washer		
		FB 1/4"	4	"
49	ST 1366	Torkararm, vänster, inre - Windshield cleaner arm, left, inner	1	"
50	ST 1368	Torkararm, yttre - Windshield cleaner arm, outer	2	"
51	3398 009 015	Fäste - Bracket	1	"
52	ST 1367	Torkararm, höger, inre - Windshield cleaner arm, right, inner	1	"
53	ST 7269	Fäste - Bracket	2	"
		Vindrutetorkarmotor - Windshield cleaner engine	2	"
54	ST 6125	Handtag, inre - Handle, inner	1	"
55	ST 7232	Lås - Lock	1	"
56	ST 7231	Handtag, yttre - Handle, outer	1	"
57		Skruv - Screw		
		RX M5x16	2	"
58		Låspinne - Locking pin	1	"
59		Bricka - Washer		
		FB M5	6	"
60		Skruv - Screw		
		RX M5x16	4	"
61	ST 7606	Dörr - Door	1	"
62	ST 6319	List - Weatherstrip	1	"
63	ST 6318	Tröskel - Door sill	1	"
64	ST 6322	Tättningslist - Weatherstrip	2	"
65	ST 6320	Tättningslist över dörr - Weatherstrip over door	1	"

HYTT, ÖVRE OCH NEDRE DEL  
 CAB, UPPER AND LOWER PART  
 FAHRERHAUS, OBERER UND UNTERER TEIL  
 CABINE, PARTIE SUPERIEURE ET INFERIEURE

# H 4-1

ST 4-701102  
 1306

1	Hytt, främre del, svetsad - Cab, front part, welded		1	1306
2	ST 6200	Vindruta - Windshield	2	"
3	ST 6366	Tätninglist för vindruta - Weatherstrip for windshield	2	"
4	ST 6371	List för vindruta - Weatherstrip for windshield	2	"
5	ST 7081	Vindskydd, komplett - Windshield, complete	1	"
6	ST 6315	List - Weatherstrip	2	"
7	ST 6316	List - Weatherstrip	2	"
8	ST 6314	List - Weatherstrip	2	"
9	ST 6313	List - Weatherstrip	2	"
10	ST 6201	Sidoruta, främre - Side window, front	2	"
11	ST 6372	List - Weatherstrip	2	"
12	ST 6367	Tätninglist - Weatherstrip	2	"
13		Skruv - Screw	URX 1/4"x45	10
14		Mutter - Nut	Loc-King 1/4"	10
15		Skruv - Screw	URX 1/4"x16	10
16		Mutter - Nut	Loc-King 1/4"	10
17		Mutter - Nut	M6M M5	2
18	ST 3073	Klamma - Clamp		2
19	GM 144967	Spärr för fönster - Latch for window		2
20		Skruv - Screw	FX M5x12	6
21		Skruv - Screw	URX 1/4"x16	4
22	ST 1286	Skydd för blinker - Direction indicator protection		2
23		Mutter - Nut	Loc-King 1/4"	4
24		Skruv - Screw	URX 1/4"x16	6
25		Mutter - Nut	Loc-King 1/4"	6
26		Skruv - Screw	URX 1/4"x16	20
27		Mutter - Nut	Loc-King 1/4"	20
28	ST 6373	Gummlist - Weatherstrip		4
29	ST 6368	Tätninglist - Weatherstrip		4
30	ST 6202	Sidofönster - Side window		4
31	ST 7429	Hyttsida, vänster - Cab side, left		1
32	ST 6300	Bakfönster - Rear window		2
33	ST 6369	Tätninglist - Weatherstrip		2
34	ST 6374	List - Weatherstrip		2
35	ST 7430	Hyttsida, höger - Cab side, right		1
36	3398 110 119	Blad för vindrutetorkare - Windshield cleaner blade		2
37	3398 100 475	Vindrutetorkare - Windshield cleaner		2
38	3390 500 025	Bussning - Bushing		2
39	3390 109 012	Bricka - Washer		2
40	3393 300 005	Mutter - Nut		2
41	3390 500 057	Hylsa - Sleeve		2
42	3390 206 050	Bricka - Washer		2
43	3398 003 325	Fäste för torkare - Bracket for cleaner		2
44		Skruv - Screw	RX M5x10	8
45		Bricka - Washer	FB M5	8
46		Skruv - Screw	U6S 1/4"x13	4
47		Mutter - Nut	U6M 1/4"	4
48		Bricka - Washer	FB 1/4"	4
49	ST 1366	Torkarm, vänster, inre - Windshield cleaner arm, left, inner		1
50	ST 1368	Torkarm, yttre - Windshield cleaner arm, outer		2
51	3398 009 015	Fäste - Bracket		1
52	ST 1367	Torkarm, höger, inre - Windshield cleaner arm, right, inner		1
53	ST 7269	Fäste - Bracket		2
		Vindrutetorkarmotor - Windshield cleaner engine		2
54	ST 6125	Handtag, inre - Handle, inner		1
55	ST 7232	Lås - Lock		1
56	ST 7231	Handtag, yttre - Handle, outer		1
57		Skruv - Screw	RX M5x16	2
58		Låspinne - Locking pin		1
59		Bricka - Washer	FB M5	6
60		Skruv - Screw	RX M5x16	4
61	ST 7606	Dörr - Door		1
62	ST 6319	List - Weatherstrip		1
63	ST 6318	Tröskel - Door sill		1
64	ST 6322	Tätninglist - Weatherstrip		2
65	ST 6320	Tätninglist över dörr - Weatherstrip over door		1

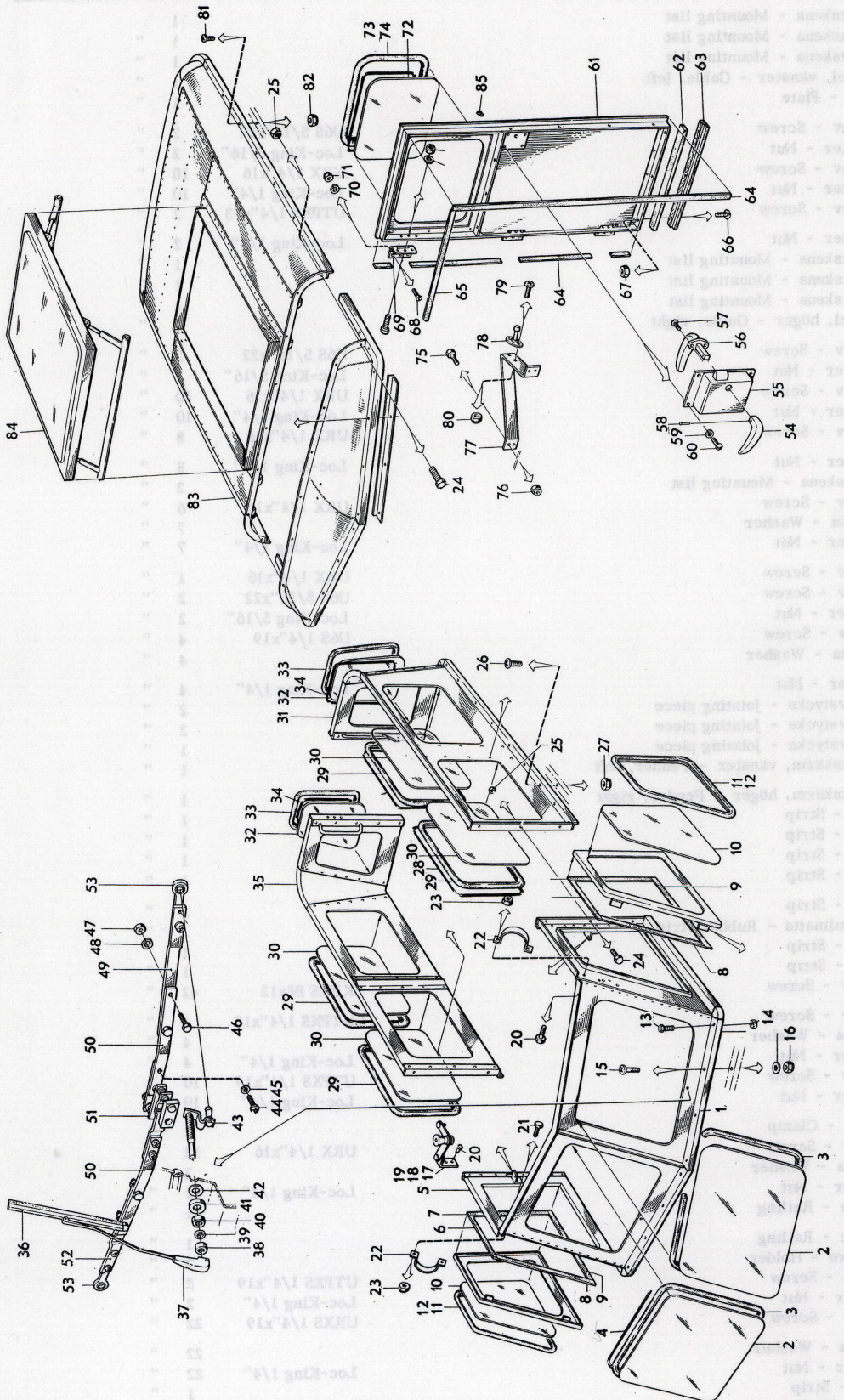
HYTT, ÖVRE OCH NEDRE DEL  
 CAB, UPPER AND LOWER PART  
 FAHRERHAUS, OBERER UND UNTERER TEIL  
 CABINE, SUPERIEURE ET INFERIEURE

# H 4-1

ST 4-701102  
 1306

66	Skruv - Screw	RX M5x16	3	1306
67	Mutter - Nut	M6M M5	3	"
68	Skruv - Screw	FX M5x12	18	"
69 273010003	Gångjärn - Hinge		3	"
70	Bricka - Washer	FB M5	18	"
71	Mutter - Nut	M6M M5	18	"
72 ST 6203	Fönster för dörr - Window for door		1	"
73 ST 6375	Gummilist - Weatherstrip		1	"
74 ST 6370	List - Weatherstrip		1	"
75	Skruv - Screw	U6S 1/4"x19	4	"
76	Mutter - Nut	Loc-King 1/4"	4	"
77 ST 1362	Konsol - Support		1	"
78 ST 7592	Dörrstopp - Door stop		1	"
79	Skruv - Screw	UFX 1/4"x16	2	"
80	Mutter - Nut	Loc-King 1/4"	2	"
81	Skruv - Screw	URX 1/4"x16	26	"
82	Mutter - Nut	Loc-King 1/4"	26	"
83 ST 7573	Tak - Roof		1	"
84 ST 7571	Taklucka - Roof hatch		1	"
85	Mutter - Nut	M6M M5	6	"

H4-1  
ST4-701015



SKÄRMAR, BAKPARTI  
 FENDERS, REAR PART  
 KOTFLÜGEL, HINTERES TEIL  
 AILES, PARTIE ARRIERE

# H 5-1

ST 4-701102  
 1306

1	ST 4047	Fästskena - Mounting list		1	
2	ST 4054	Fästskena - Mounting list		1	"
3	ST 4051	Fästskena - Mounting list		1	"
4	ST 5359	Gavel, vänster - Gable, left		1	"
5	ST 5363	Plåt - Plate		1	"
6		Skruv - Screw	U6S 5/16"x22	2	"
7		Mutter - Nut	Loc-King 5/16"	2	"
8		Skruv - Screw	URX 1/4"x16	10	"
9		Mutter - Nut	Loc-King 1/4"	10	"
10		Skruv - Screw	UTPXS 1/4"x13	2	"
11		Mutter - Nut	Loc-King 1/4"	2	"
12	ST 4046	Fästskena - Mounting list		1	"
13	ST 4053	Fästskena - Mounting list		1	"
14	ST 4052	Fästskena - Mounting list		1	"
15	ST 5226	Gavel, höger - Gable, right		1	"
16		Skruv - Screw	U6S 5/16"x22	2	"
17		Mutter - Nut	Loc-King 5/16"	2	"
18		Skruv - Screw	URX 1/4"x16	10	"
19		Mutter - Nut	Loc-King 1/4"	10	"
20		Skruv - Screw	URX 1/4"x16	8	"
21		Mutter - Nut	Loc-King 1/4"	8	"
22	ST 5279	Fästskena - Mounting list		2	"
23		Skruv - Screw	URX 1/4"x16	6	"
24	W 10006	Bricka - Washer		7	"
25		Mutter - Nut	Loc-King 1/4"	7	"
26		Skruv - Screw	URX 1/4"x16	1	"
27		Skruv - Screw	U6S 5/16"x22	2	"
28		Mutter - Nut	Loc-King 5/16"	2	"
29		Skruv - Screw	U6S 1/4"x19	4	"
30	W 10006	Bricka - Washer		4	"
31		Mutter - Nut	Loc-King 1/4"	4	"
32	ST 22	Skarvstycke - Jointing piece		2	"
33	ST 23	Skarvstycke - Jointing piece		2	"
34	ST 24	Skarvstycke - Jointing piece		1	"
35	ST 7595	Stänkskärm, vänster - Fender, left		1	"
36	ST 7594	Stänkskärm, höger - Fender, right		1	"
37	ST 5052	List - Strip		1	"
38	ST 5298	List - Strip		1	"
39	ST 5058	List - Strip		1	"
40	ST 5068	List - Strip		1	"
41	ST 5059	List - Strip		2	"
42	ST 6049	Gummimatta - Rubber strip		1	"
43	ST 5051	List - Strip		1	"
44	ST 5297	List - Strip		1	"
45		Skruv - Screw	KFXS B8x12	42	"
46		Skruv - Screw	UTPXS 1/4"x19	4	"
47	W 10006	Bricka - Washer		4	"
48		Mutter - Nut	Loc-King 1/4"	4	"
49		Skruv - Screw	UTPXS 1/4"x19	10	"
50		Mutter - Nut	Loc-King 1/4"	10	"
51	ST 7037	Bygel - Clamp		2	"
52		Skruv - Screw	URX 1/4"x16	12	"
53	W 10006	Bricka - Washer		2	"
54		Mutter - Nut	Loc-King 1/4"	12	"
55	ST 7039	Räcke - Railing		1	"
56	ST 7038	Räcke - Railing		1	"
57	ST 1046	Hållare - Holder		2	"
58		Skruv - Screw	UTPXS 1/4"x19	2	"
59		Mutter - Nut	Loc-King 1/4"	2	"
60		Skruv - Screw	URXS 1/4"x19	22	"
61	W 10006	Bricka - Washer		22	"
62		Mutter - Nut	Loc-King 1/4"	22	"
63	ST 5058 H	List - Strip		1	"
64	ST 5068 H	List - Strip		1	"
65	ST 7201	Bygel för strålkastare - Clamp for head lamp		2	"

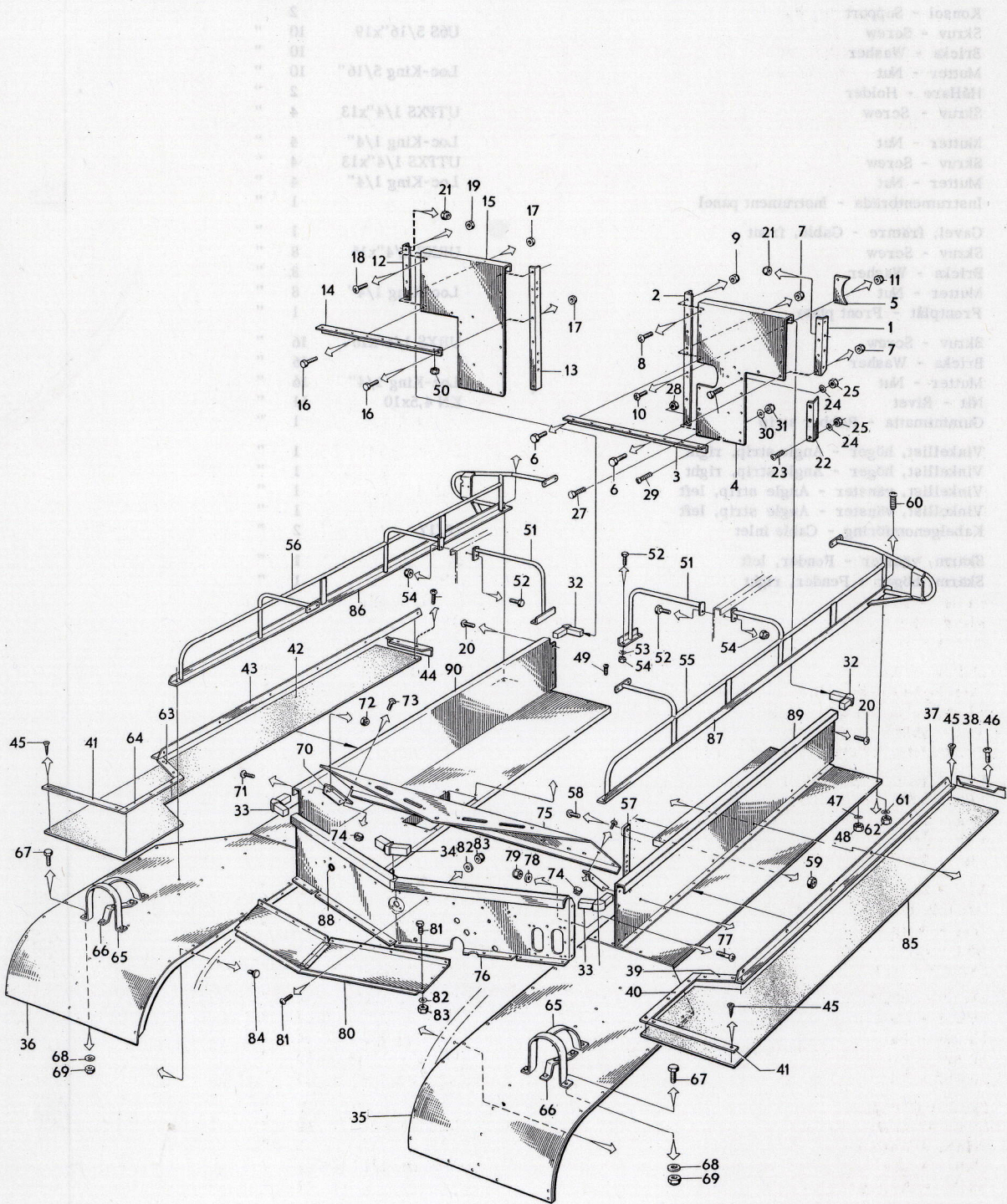
H5-1

ST 4-701015  
1967

H5-1

ST4-701015

SKIDBAR, REAR  
REAR, REAR  
KOTLICE, HWYERS 1511  
ALLES, PARTS ASSEMBLY

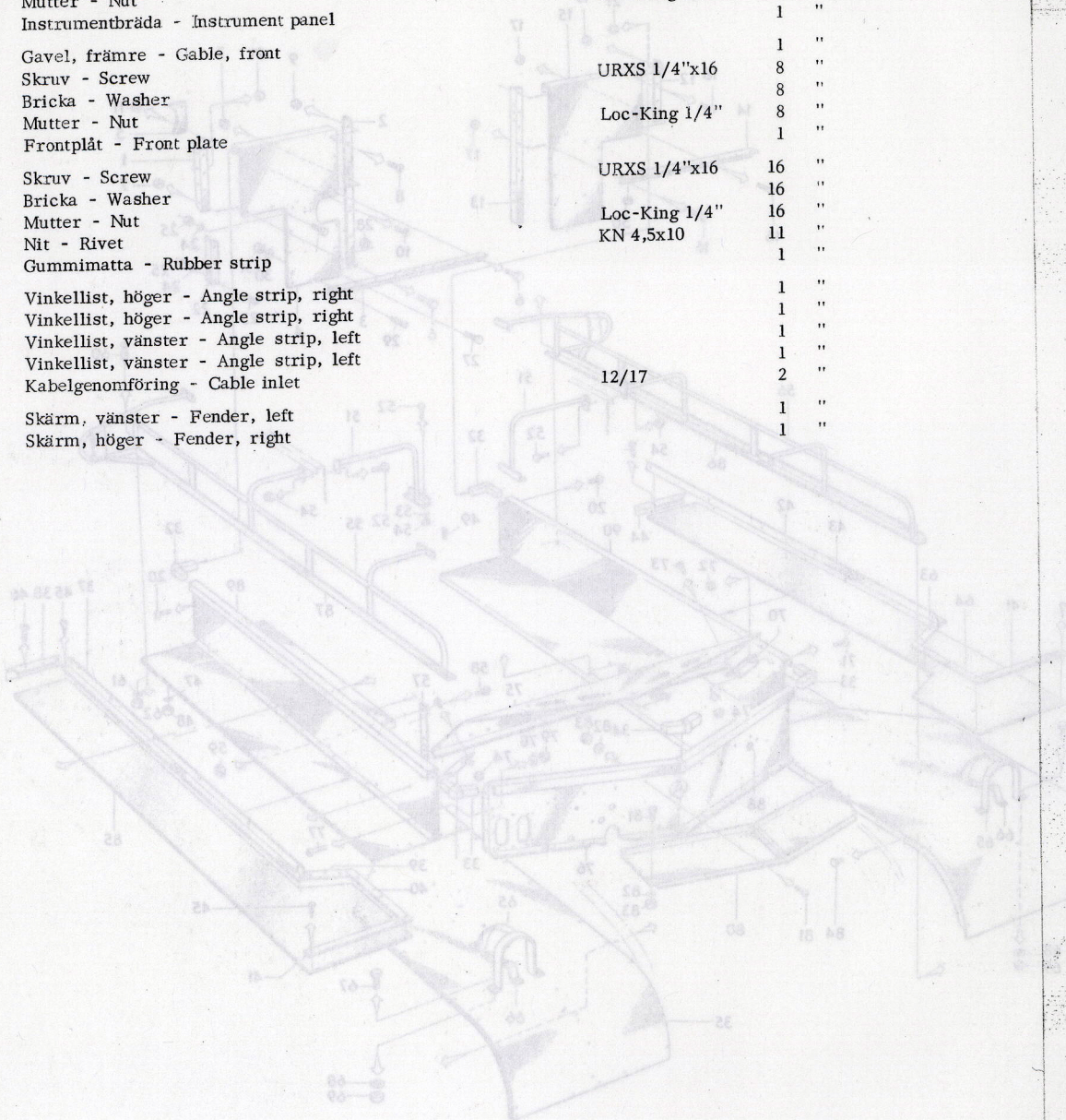


# H 5-1

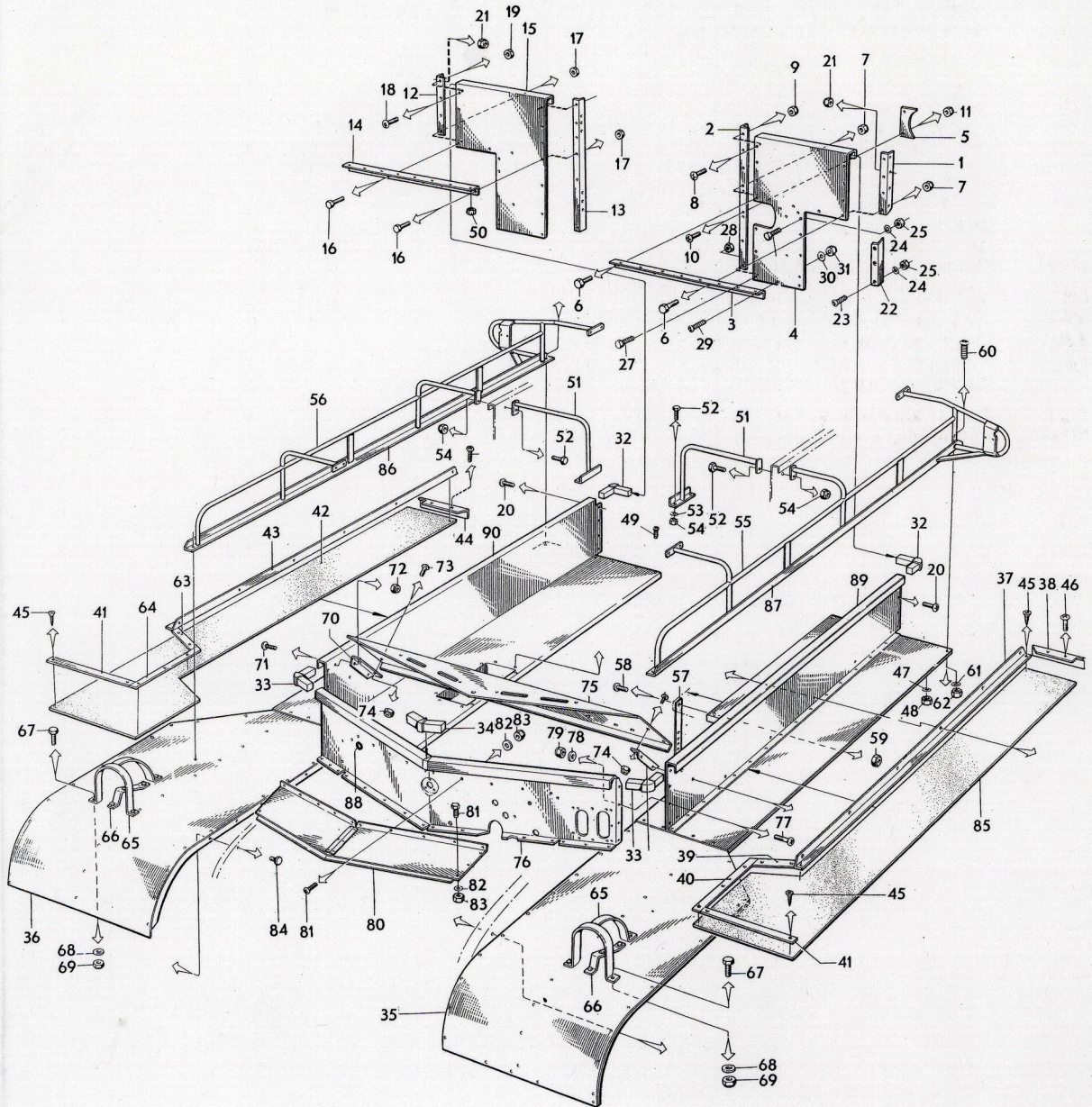
ST 4-701102  
1306

SKÄRMAR, BAKPARTI  
FENDERS, REAR PART  
KOTFLÜGEL, HINTERES TEIL  
AILES, PARTIE ARRIERE

66	ST 1047	Konsoi - Support		2
67		Skruv - Screw	U6S 5/16"x19.	10 "
68	W 10008	Bricka - Washer		10 "
69		Mutter - Nut	Loc-King 5/16"	10 "
70	ST 5008	Hållare - Holder		2 "
71		Skruv - Screw	UTPXS 1/4"x13	4 "
72		Mutter - Nut	Loc-King 1/4"	4 "
73		Skruv - Screw	UTPXS 1/4"x13	4 "
74		Mutter - Nut	Loc-King 1/4"	4 "
75	ST 5028 A	Instrumentbräda - Instrument panel		1 "
76	ST 5026 A	Gavel, främre - Gable, front		1 "
77		Skruv - Screw	URXS 1/4"x16	8 "
78	W 10006	Bricka - Washer		8 "
79		Mutter - Nut	Loc-King 1/4"	8 "
80	ST 7087	Frontplåt - Front plate		1 "
81		Skruv - Screw	URXS 1/4"x16	16 "
82	W 10006	Bricka - Washer		16 "
83		Mutter - Nut	Loc-King 1/4"	16 "
84		Nit - Rivet	KN 4,5x10	11 "
85	ST 6050	Gummimatta - Rubber strip		1 "
86	ST 5053	Vinkellist, höger - Angle strip, right		1 "
	ST 5054	Vinkellist, höger - Angle strip, right		1 "
87	ST 5055	Vinkellist, vänster - Angle strip, left		1 "
	ST 5056	Vinkellist, vänster - Angle strip, left		1 "
88		Kabelgenomföring - Cable inlet	12/17	2 "
89	ST 7112	Skärm, vänster - Fender, left		1 "
90	ST 7111	Skärm, höger - Fender, right		1 "



H5-1  
ST4-701015



VERKTYG  
 TOOLS  
 WERKZEUGE  
 OUTILLAGE

J 1-1

ST 4-701102  
 1306

Lednyckel - Flexible socket spanners	Bacho 14 - 15	1	1306
U-ringnyckel - Spanner	Bacho 1/2" - 9/16	1	"
U-ringnyckel - Spanner	Bacho 17 - 19	1	"
Kombinationstång - Combination pliers	Bacho Po 33	1	"
Skiftnyckel - Wrench	nr 670 C 6"	1	"
Skiftnyckel - Wrench	nr 671 C 8"	1	"
Krysspårmejsel - X-screw driver	Philips nr 2	1	"
Tryckluftmätare - Pressure gauge		1	"

