

www.forumsforums.com/snowtrac.htm
 Special thanks to Bill 'mnttopper' for use of this manual

Les tracteurs Bombardier et leurs accessoires sont conçus et fabriqués pour fournir un rendement maximum et conserver une longue durée. Toutes les pièces de rechange sont usinées avec le même soin et la même précision appliqués à la fabrication de nos véhicules.

INSTRUCTIONS POUR COMMANDER LES PIÈCES DE RECHANGE BOMBARDIER:

- 1 - Les photo-montages de ce catalogue de pièces illustrent la construction caractéristique des différents assemblages et peuvent dans certains cas ne pas reproduire les pièces exactement. Ils représentent cependant des pièces qui possèdent une fonction identique ou similaire.
- 2 - Commandez toujours vos pièces selon le numéro et la description donnés dans ce catalogue.
- 3 - Ne commandez pas d'après le numéro de référence à l'illustration.
- 4 - Indiquez précisément le nombre de pièces ou d'ensembles désirés.
- 5 - Ne commandez pas par paires ou assortiments.
- 6 - Lorsque vous commandez des ensembles complets, il n'est pas nécessaire d'énumérer les pièces qui les composent; indiquez seulement le numéro de l'ensemble.
- 7 - Commandez des pièces d'origine.
- 8 - Indiquez le modèle, les numéros de série et d'identification qui se trouvent sur la plaque d'identité de votre véhicule.
- 9 - Assurez-vous que les numéros sont complets et incluent le préfixe et le suffixe, s'il y a lieu.
- 10 - Pour les pièces comme les boulons, écrous, rondelles et goupilles, vérifiez si elles ne se vendent pas par quantité minimum de 5, 10, 15, ... etc. ...
- 11 - Le côté gauche et le côté droit du véhicule est généralement déterminé par rapport à la position normale de l'opérateur sur le siège.

Bombardier tractors and implements are designed and built for maximum performance and long life. All service parts are manufactured with the same care and precision exercised in the production of our machines.

INSTRUCTIONS FOR ORDERING BOMBARDIER PARTS:

- 1 - The illustrations in this parts manual show the typical construction of the different assemblies and, in some cases, may not show the exact parts. However, they represent parts which have the same or a similar function.
- 2 - Always order by part number and description as shown in this manual.
- 3 - Do not order by illustration reference number.
- 4 - State specifically how many parts or assemblies are desired.
- 5 - Do not order pairs or sets.
- 6 - When complete assemblies are ordered, it is not necessary to list the parts that make up the assembly; give only assembly number.
- 7 - Order genuine parts.
- 8 - Give model, serial and identification numbers found on identification plate of your vehicle.
- 9 - Be sure numbers are complete and include the prefix and suffix, if any.
- 10 - For parts such as bolts, nuts, washers and cotter-pins, check if they're not sold by minimum quantity of 5, 10, 15, ... etc. ...
- 11 - It is standard procedure to determine the left and the right hand side of the machine while sitting in the operator's seat.

Bombardier est toujours à votre disposition.

Bombardier is always there to serve you.

Due to some minor technical problems when making this manual, some pages are OUT OF SEQUENCE, you will have to keep that in mind when using the index

www.forumsforums.com/snowtrac.htm
Special thanks to Bill 'Intepper' for use of this manual

Information générale 1.....	Introduction.....	Introduction
Information générale 2.....	Index.....	Index
Information générale 3.....	Symbole hydraulique.....	Hydraulic symbol
Information générale 4.....	Index numérique des pièces.....	Parts number index
Section 00.....	Chenille.....	Track
Section 01.....	Commande.....	Drive
Section 02.....	Roue.....	Wheel
Section 03.....	Suspension.....	Suspension
Section 06.....	Direction.....	Steering
Section 07.....	Frein.....	Brake
Section 08.....	Différentiel.....	Differential
Section 09.....	Embrayage.....	Clutch
Section 10.....	Accélérateur.....	Throttle
Section 11.....	Arbre de commande.....	Propeller shaft
Section 12.....	Moteur.....	Engine
Section 13.....	Carburant.....	Fuel
Section 14.....	Echappement.....	Exhaust
Section 15.....	Système électrique.....	Electrical
Section 16.....	Refroidissement.....	Cooling
Section 17.....	Carrosserie.....	Body
Section 25.....	Grattoir.....	Scraper
Section 26.....	Hydraulique.....	Hydraulic
Option 1.....	Treuil & grillage protecteur.....	Winch & brush guard
Option 3.....	Remorque T-1.....	Trailer T-1
Divers 1.....	Outil & décalque.....	Tool & decal

IMPORTANT:

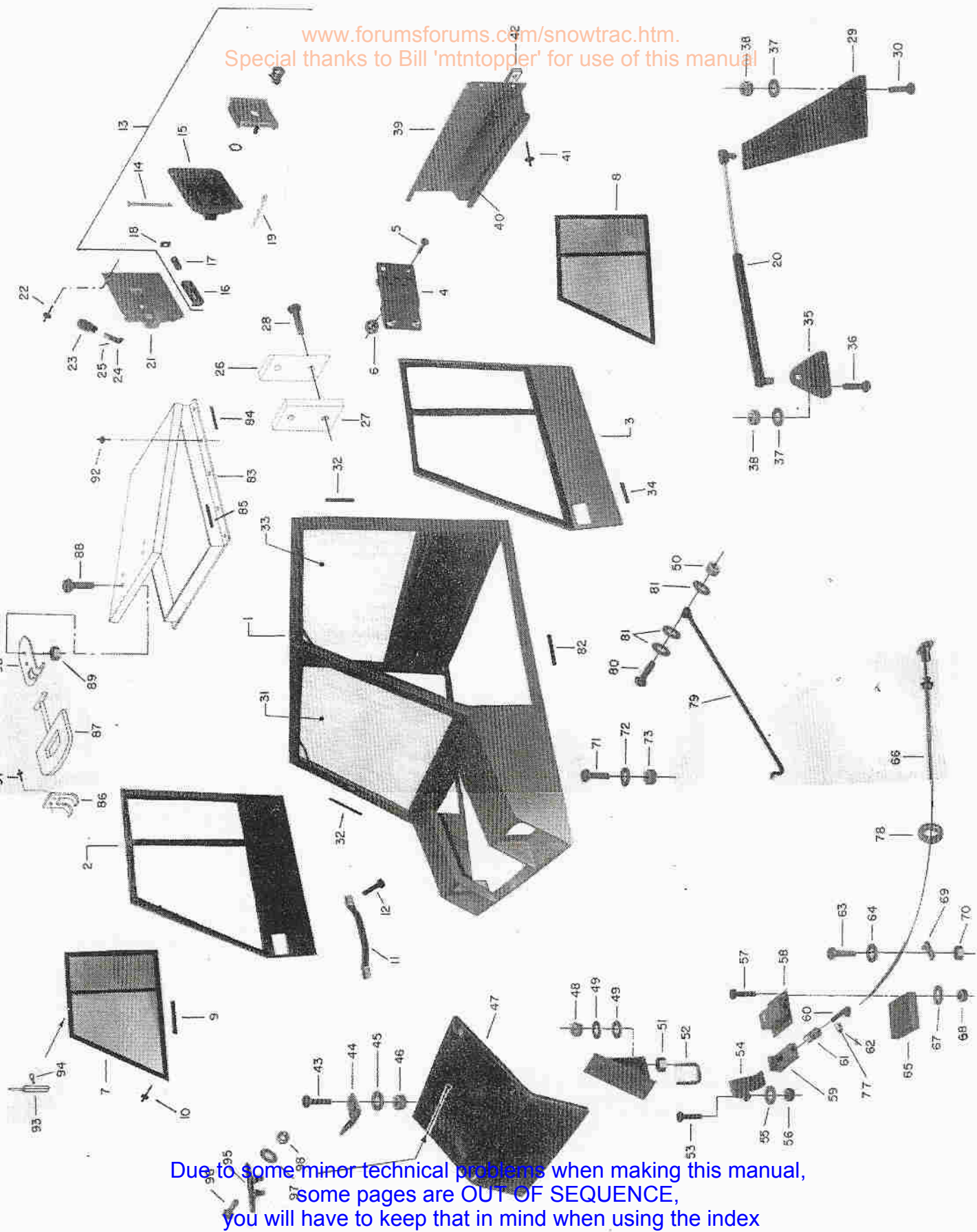
POUR LES VEHICULES BOMBI 1 A PARTIR DU NUMERO
DE SERIE 20282 0001 JUSQU'A REVISION

IMPORTANT:

FOR BOMBI 1 VEHICLES FROM SERIAL NUMBER
20282 0001 UP TO REVISION

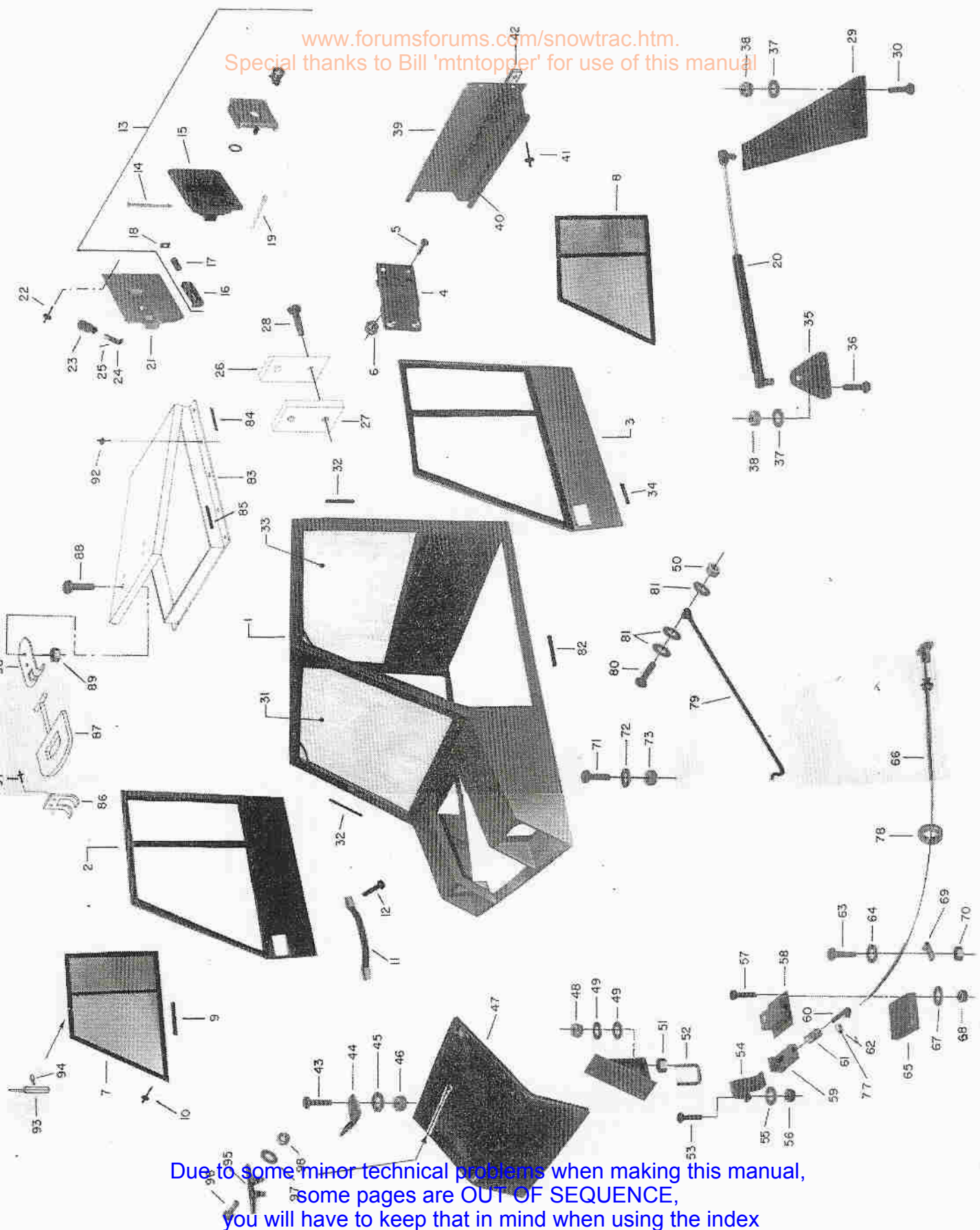
Due to some minor technical problems when making this manual,
some pages are OUT OF SEQUENCE,
you will have to keep that in mind when using the index

www.forumsforums.com/snowtrac.htm.
Special thanks to Bill 'mntopper' for use of this manual



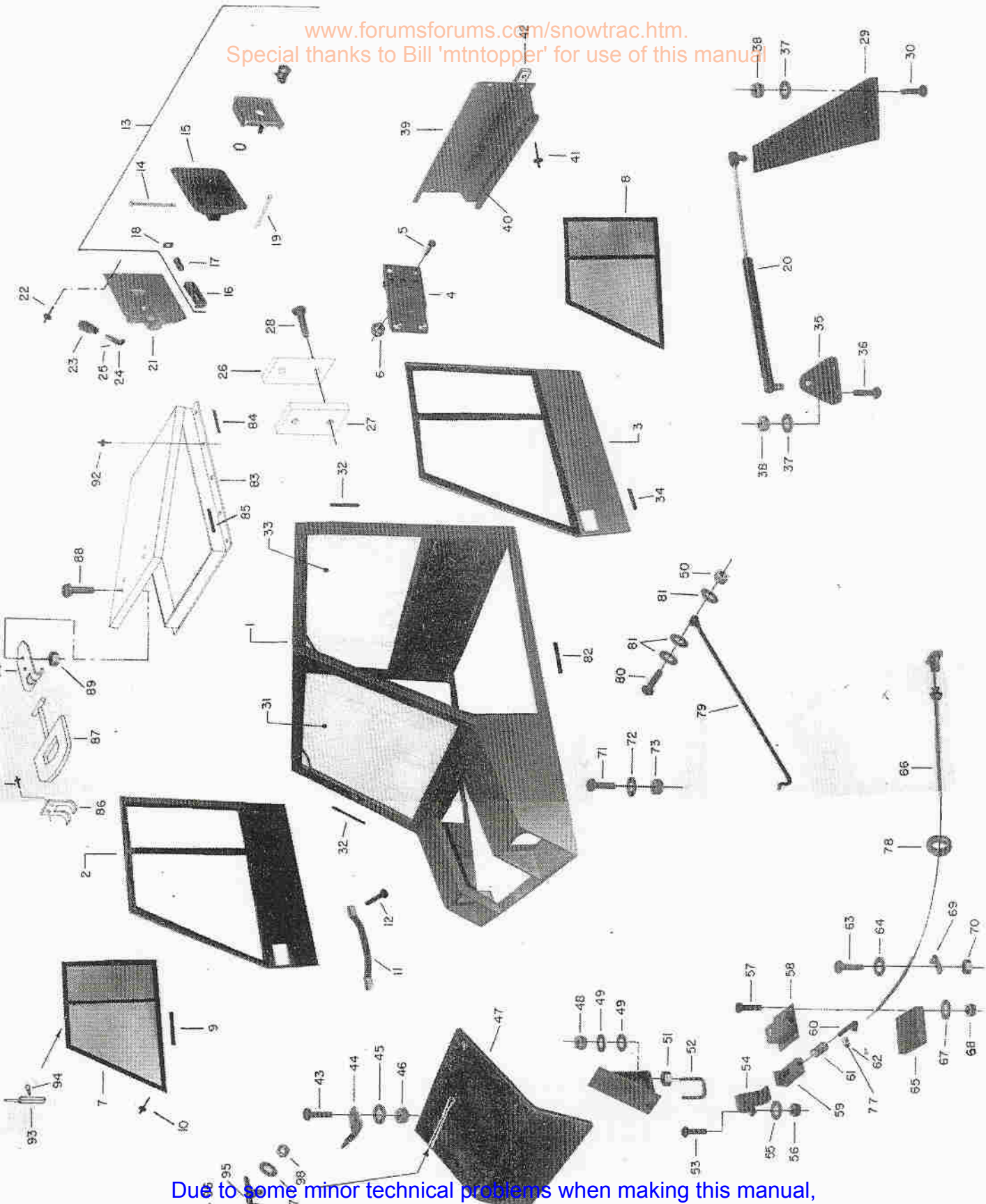
Due to some minor technical problems when making this manual,
some pages are OUT OF SEQUENCE,
you will have to keep that in mind when using the index

www.forumsforums.com/snowtrac.htm.
Special thanks to Bill 'mntopper' for use of this manual



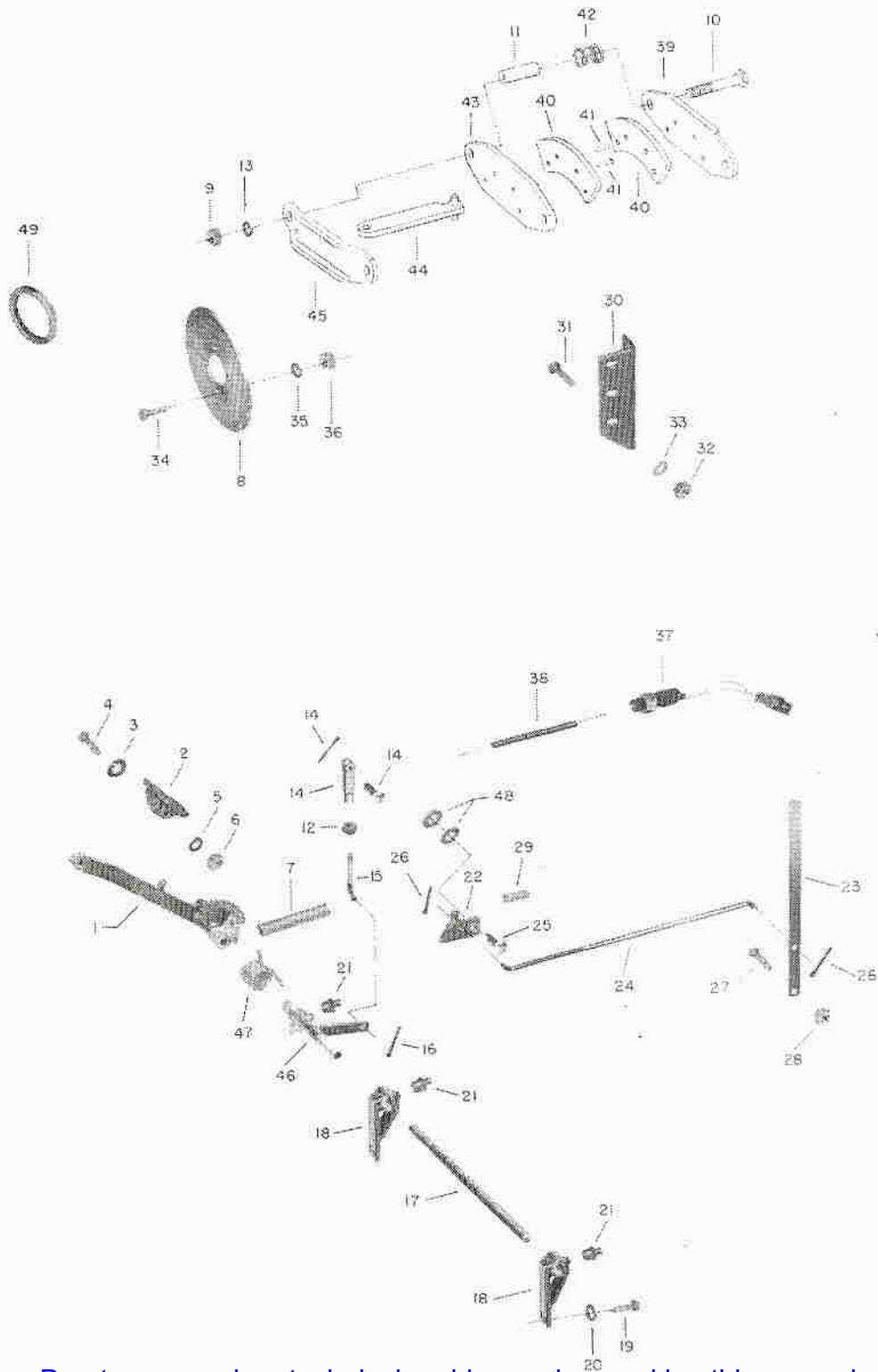
Due to some minor technical problems when making this manual,
some pages are OUT OF SEQUENCE,
you will have to keep that in mind when using the index

www.forumsforums.com/snowtrac.htm.
Special thanks to Bill 'mntopper' for use of this manual



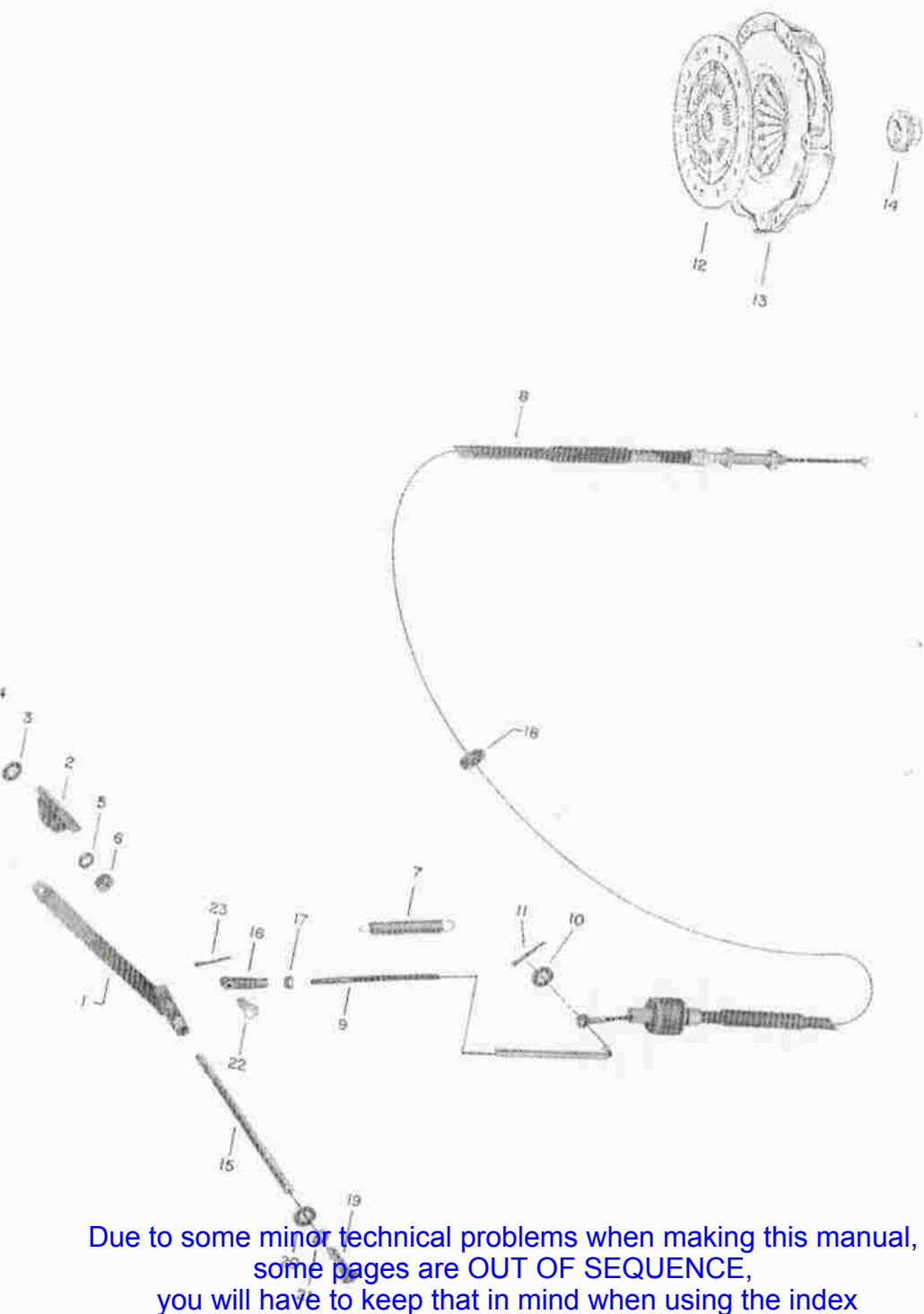
Due to some minor technical problems when making this manual,
some pages are OUT OF SEQUENCE,
you will have to keep that in mind when using the index

www.forumsforums.com/snowtrac.htm.
Special thanks to Bill 'mntopper' for use of this manual



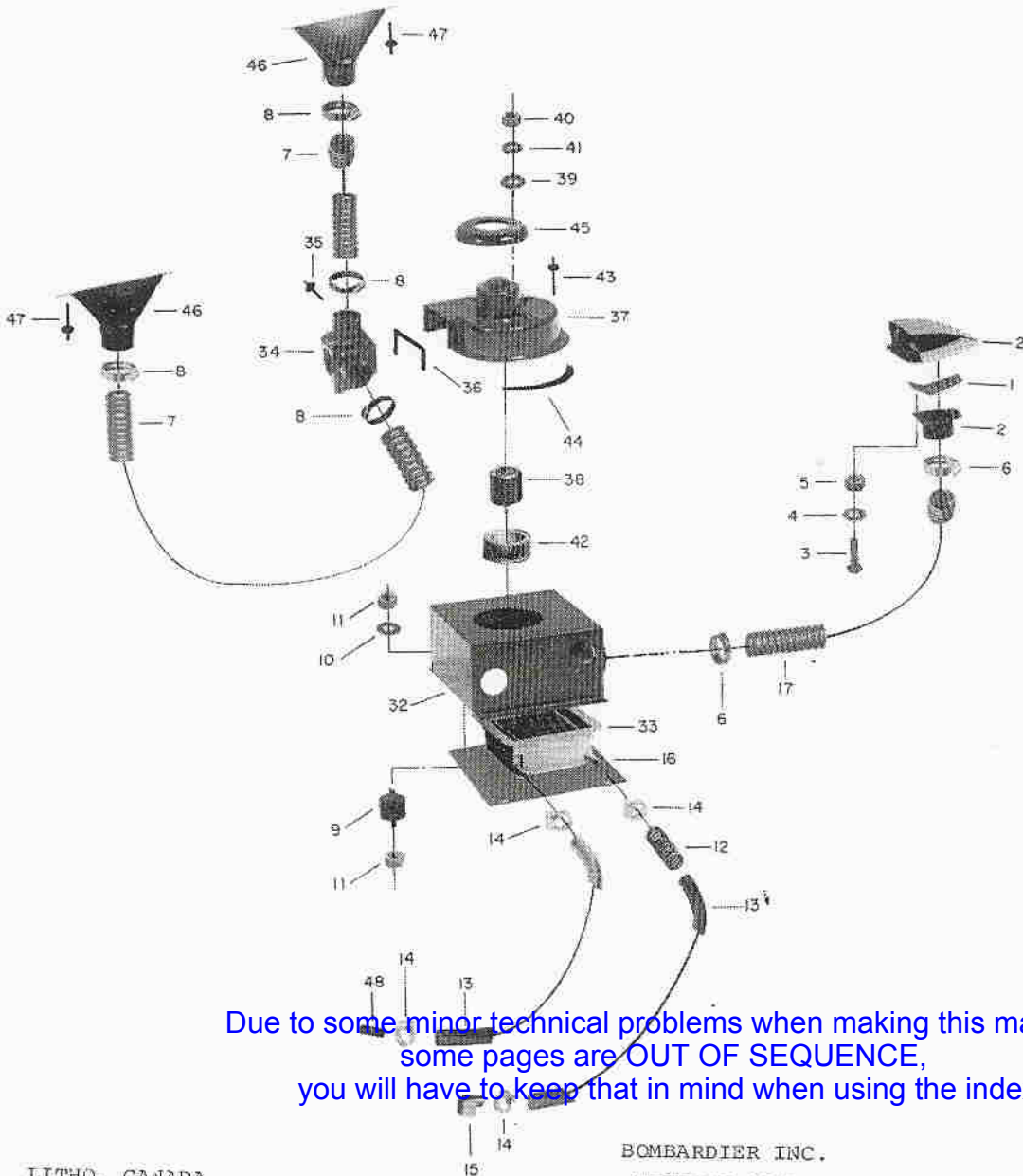
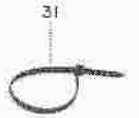
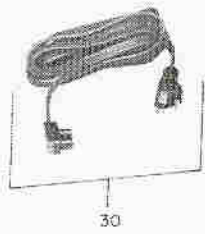
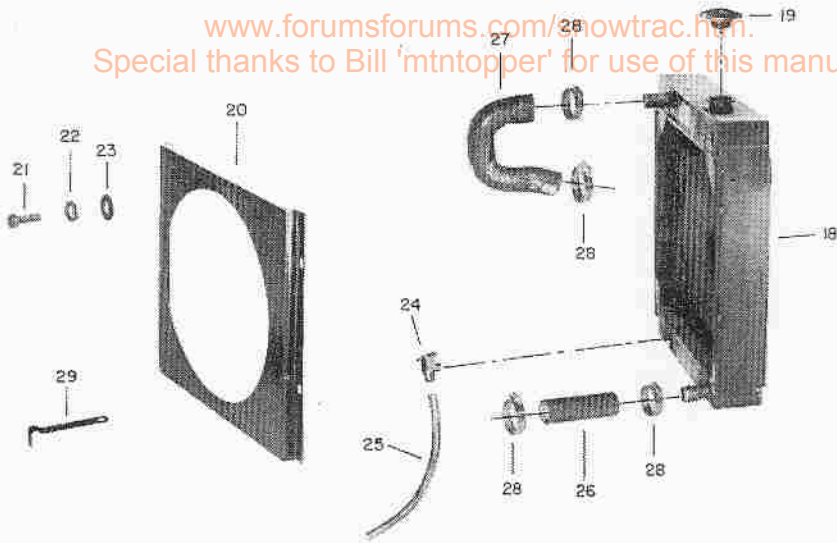
Due to some minor technical problems when making this manual,
some pages are OUT OF SEQUENCE,
you will have to keep that in mind when using the index

www.forumsforums.com/snowtrac.htm.
Special thanks to Bill 'mntopper' for use of this manual



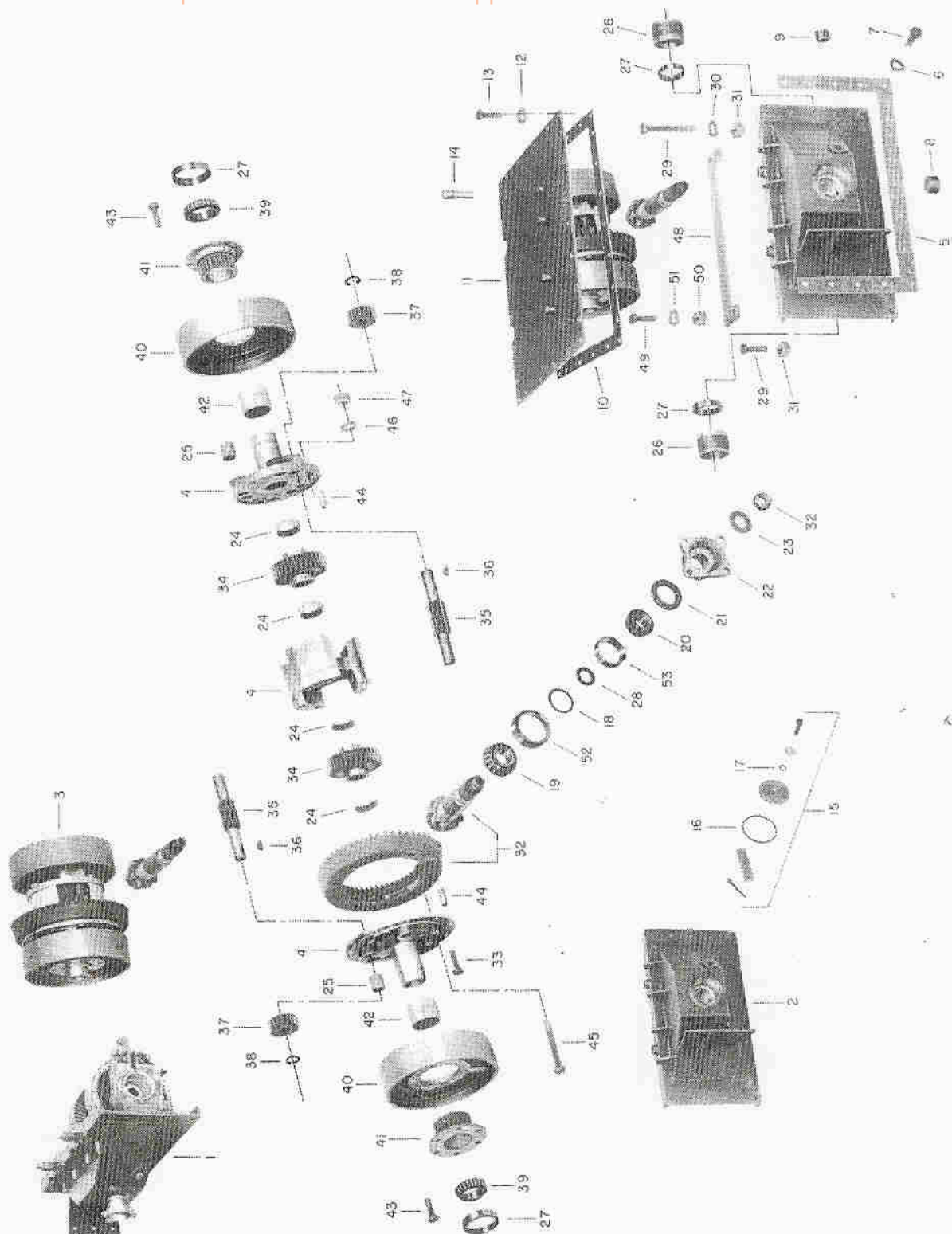
Due to some minor technical problems when making this manual,
some pages are OUT OF SEQUENCE,
you will have to keep that in mind when using the index

www.forumsforums.com/owtrac.htm.
Special thanks to Bill 'mntopper' for use of this manual



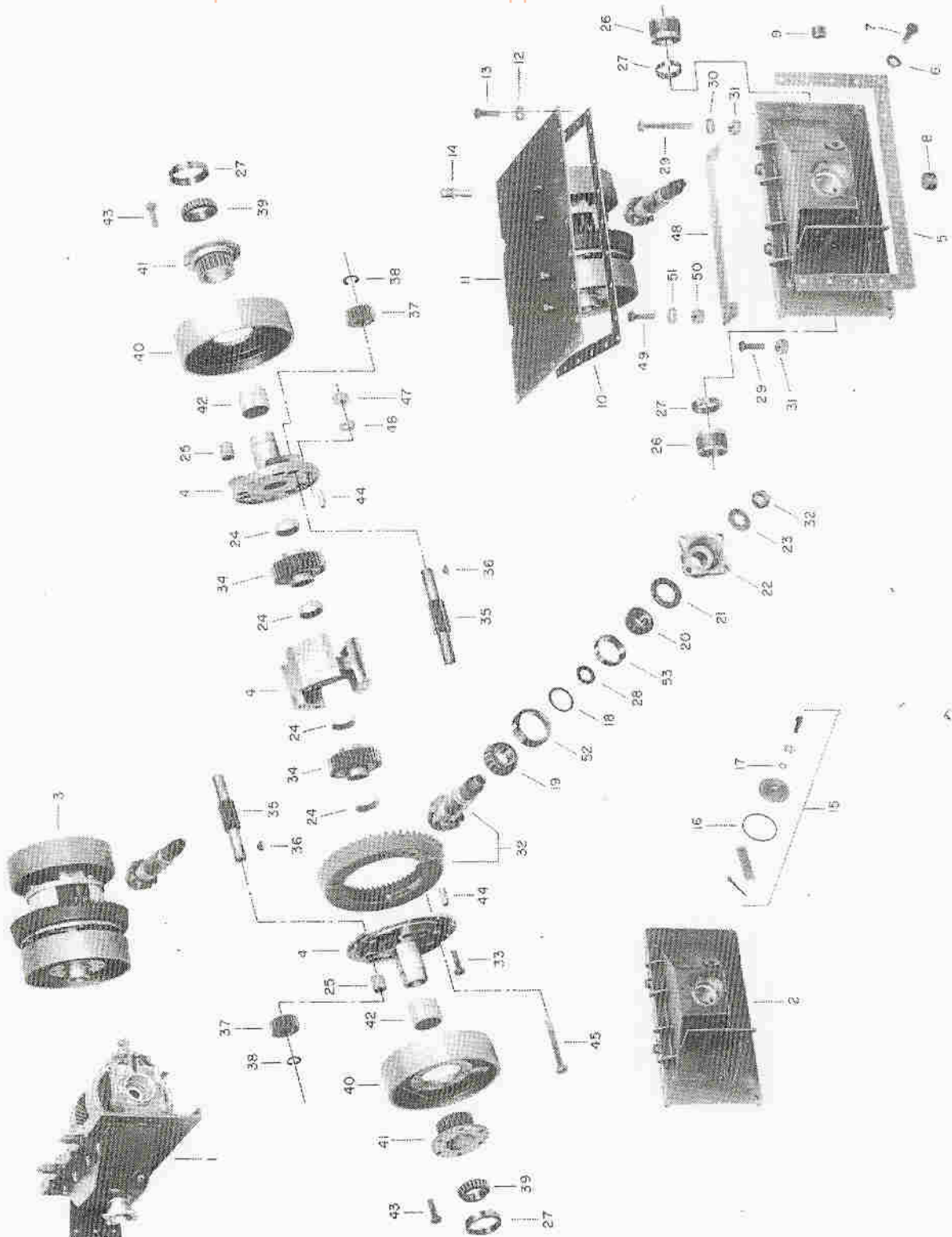
Due to some minor technical problems when making this manual,
some pages are OUT OF SEQUENCE,
you will have to keep that in mind when using the index

www.forumsforums.com/snowtrac.htm.
Special thanks to Bill 'mntopper' for use of this manual



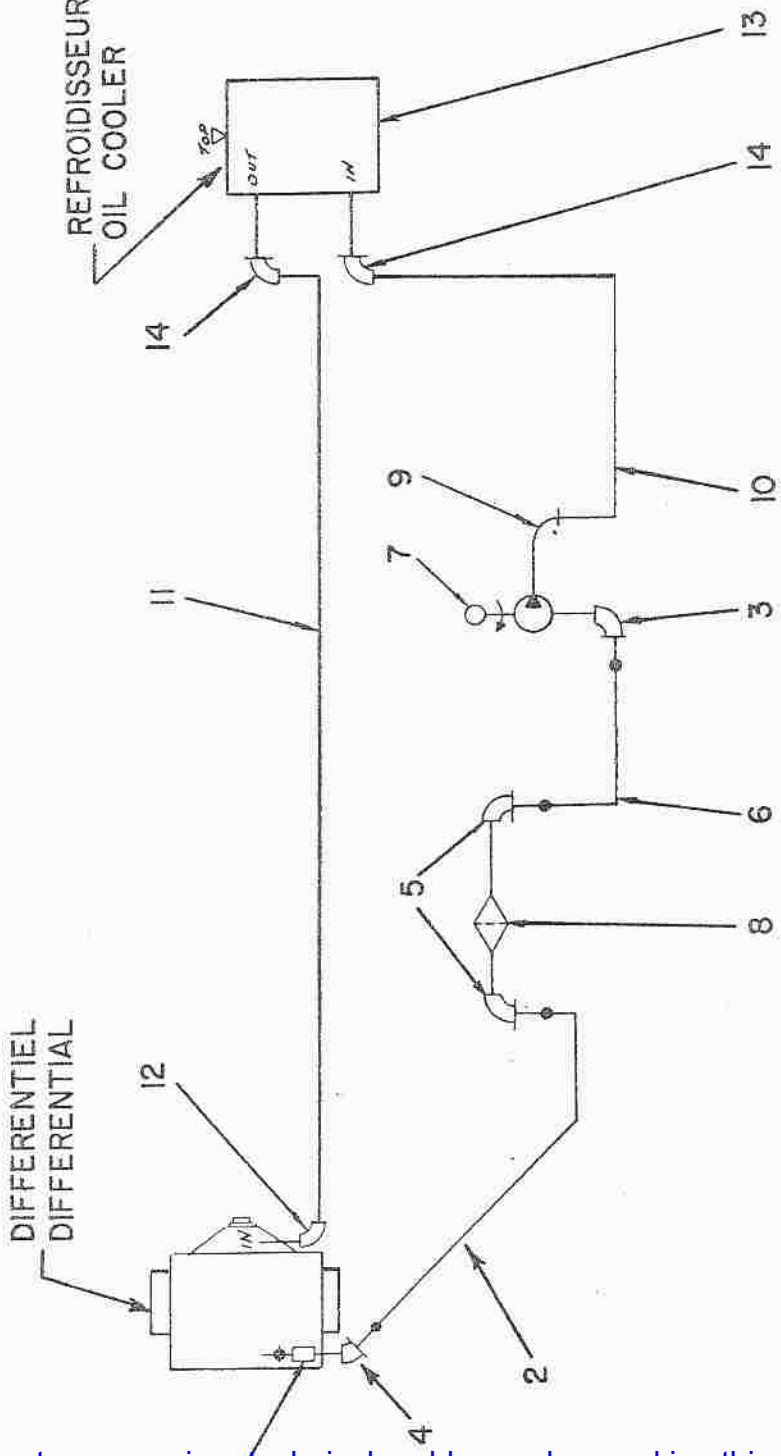
Due to some minor technical problems when making this manual,
some pages are OUT OF SEQUENCE,
you will have to keep that in mind when using the index

www.forumsforums.com/snowtrac.htm.
Special thanks to Bill 'mntopper' for use of this manual



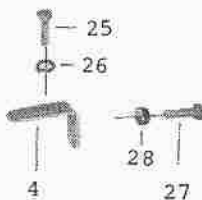
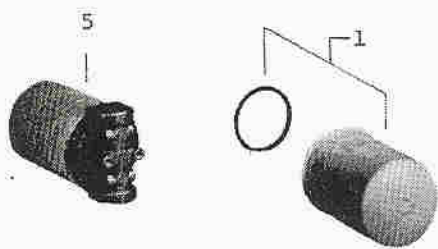
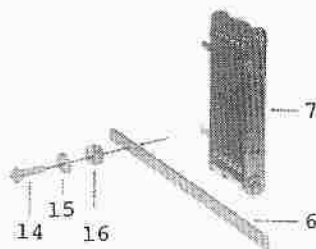
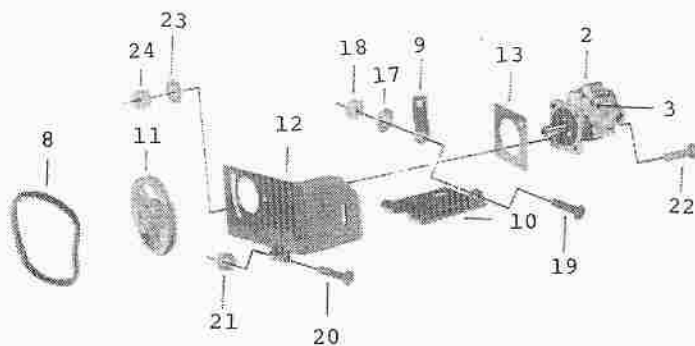
Due to some minor technical problems when making this manual,
some pages are OUT OF SEQUENCE,
you will have to keep that in mind when using the index

www.forumsforums.com/snowtrac.htm.
Special thanks to Bill 'mntopper' for use of this manual



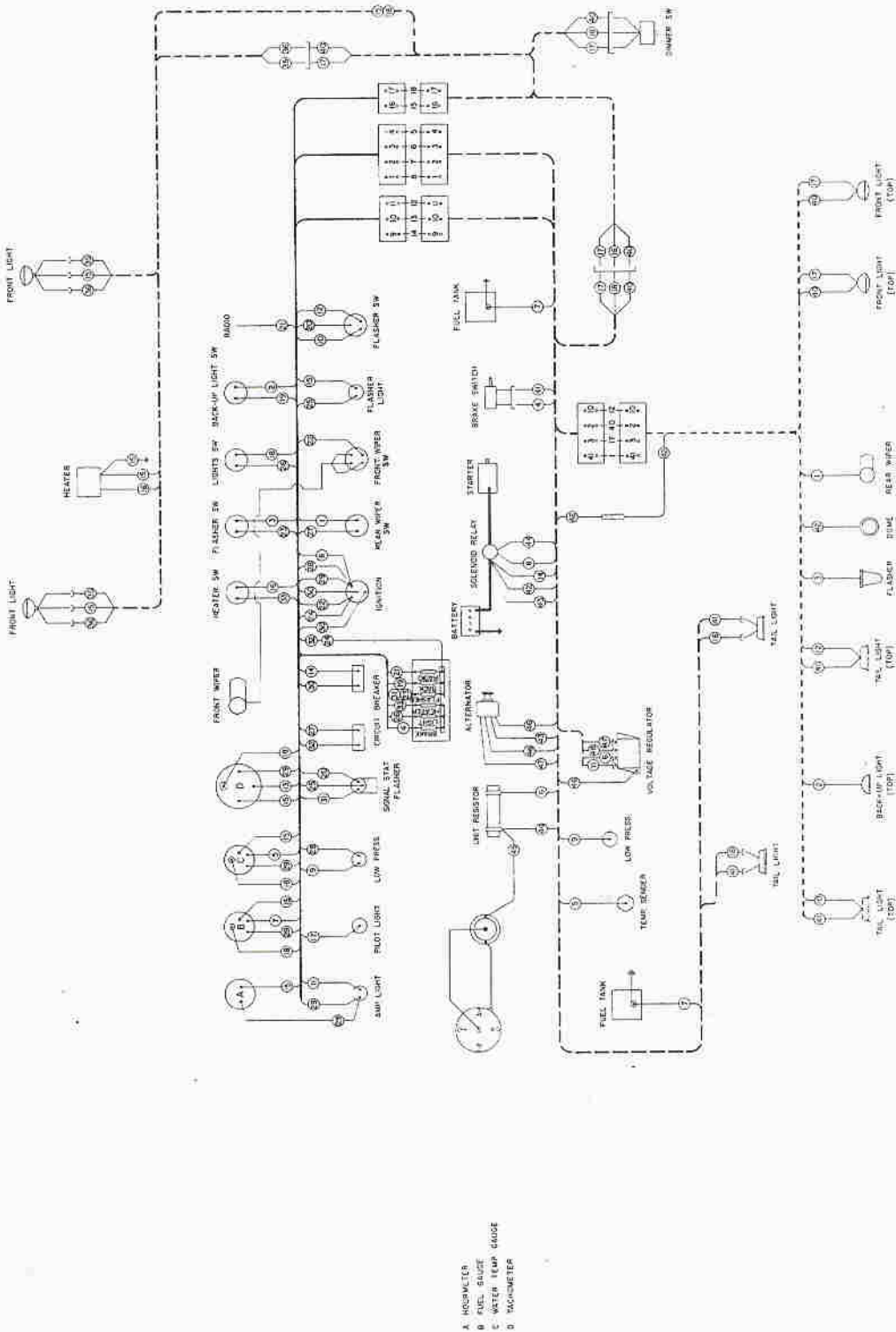
Due to some minor technical problems when making this manual,
some pages are OUT OF SEQUENCE,
you will have to keep that in mind when using the index

www.forumsforums.com/snowtrac.htm.
Special thanks to Bill 'mntopper' for use of this manual



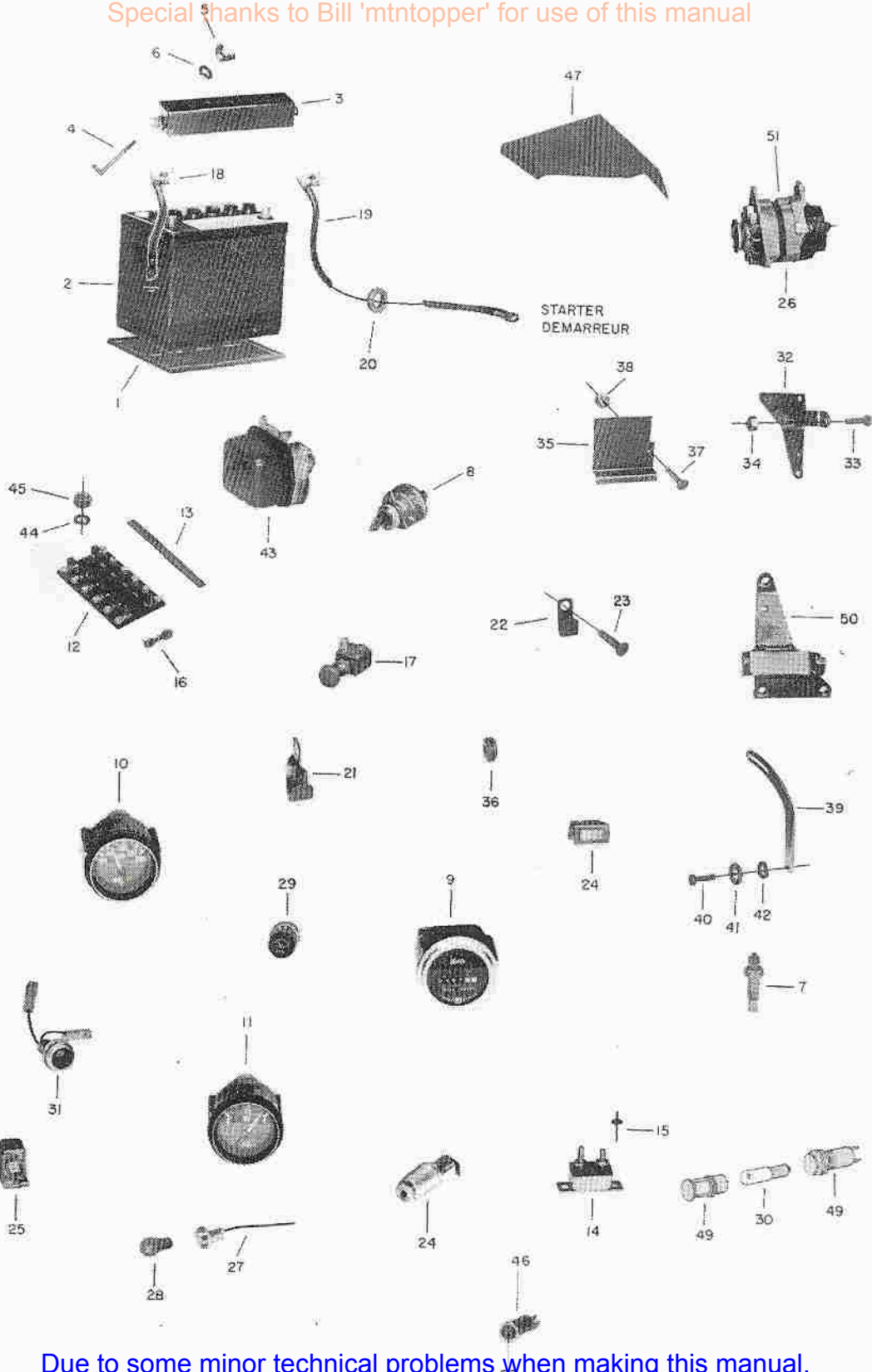
Due to some minor technical problems when making this manual,
some pages are OUT OF SEQUENCE,
you will have to keep that in mind when using the index

www.forumsforums.com/snowtrac.htm.
Special thanks to Bill 'mntopper' for use of this manual



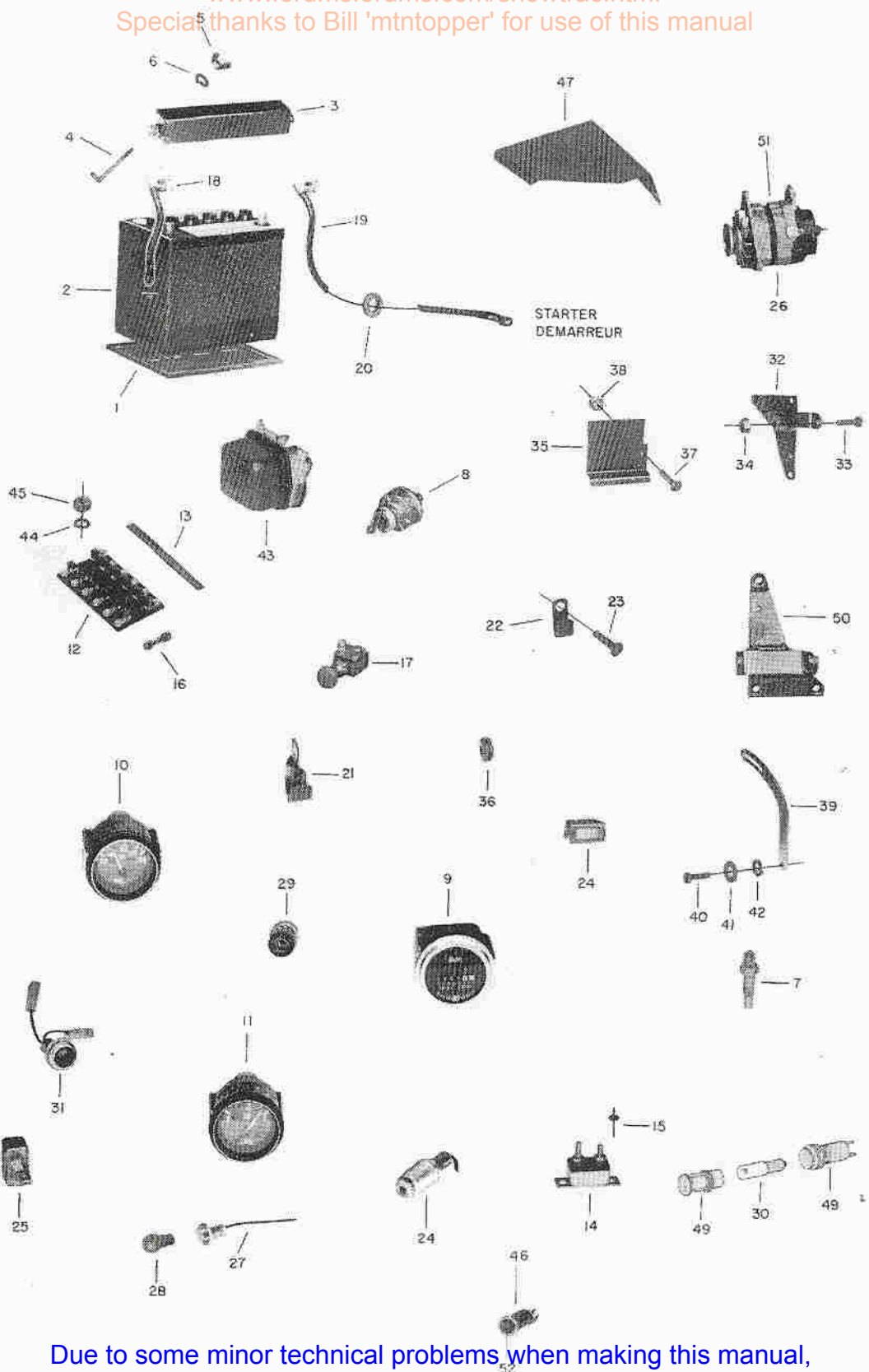
Due to some minor technical problems when making this manual,
some pages are OUT OF SEQUENCE,
you will have to keep that in mind when using the index

www.forumsforums.com/snowtrac.htm.
Special thanks to Bill 'mnttopper' for use of this manual



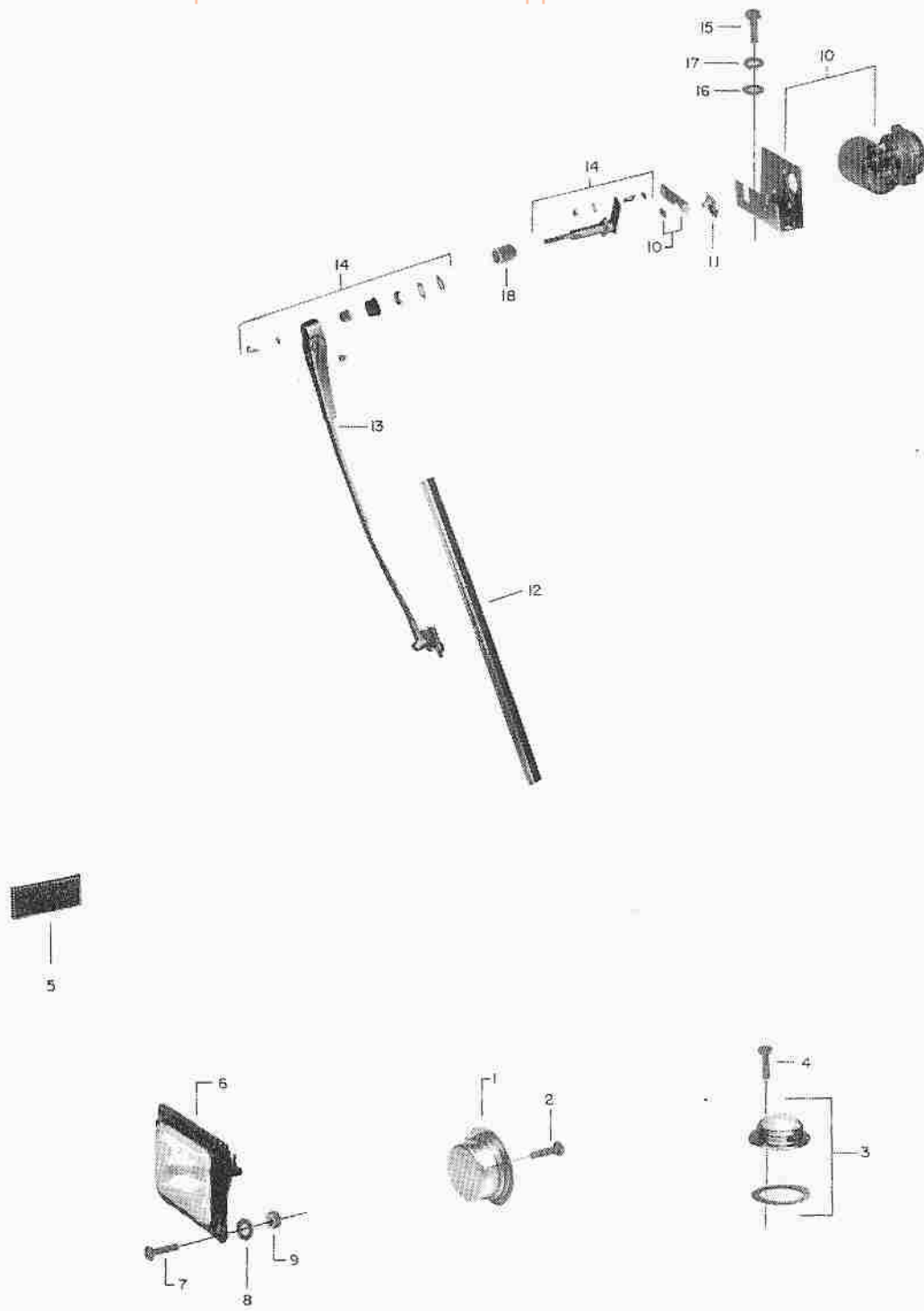
Due to some minor technical problems when making this manual,
some pages are OUT OF SEQUENCE,
you will have to keep that in mind when using the index

www.forumsforums.com/snowtrac.htm.
Special thanks to Bill 'mnttopper' for use of this manual



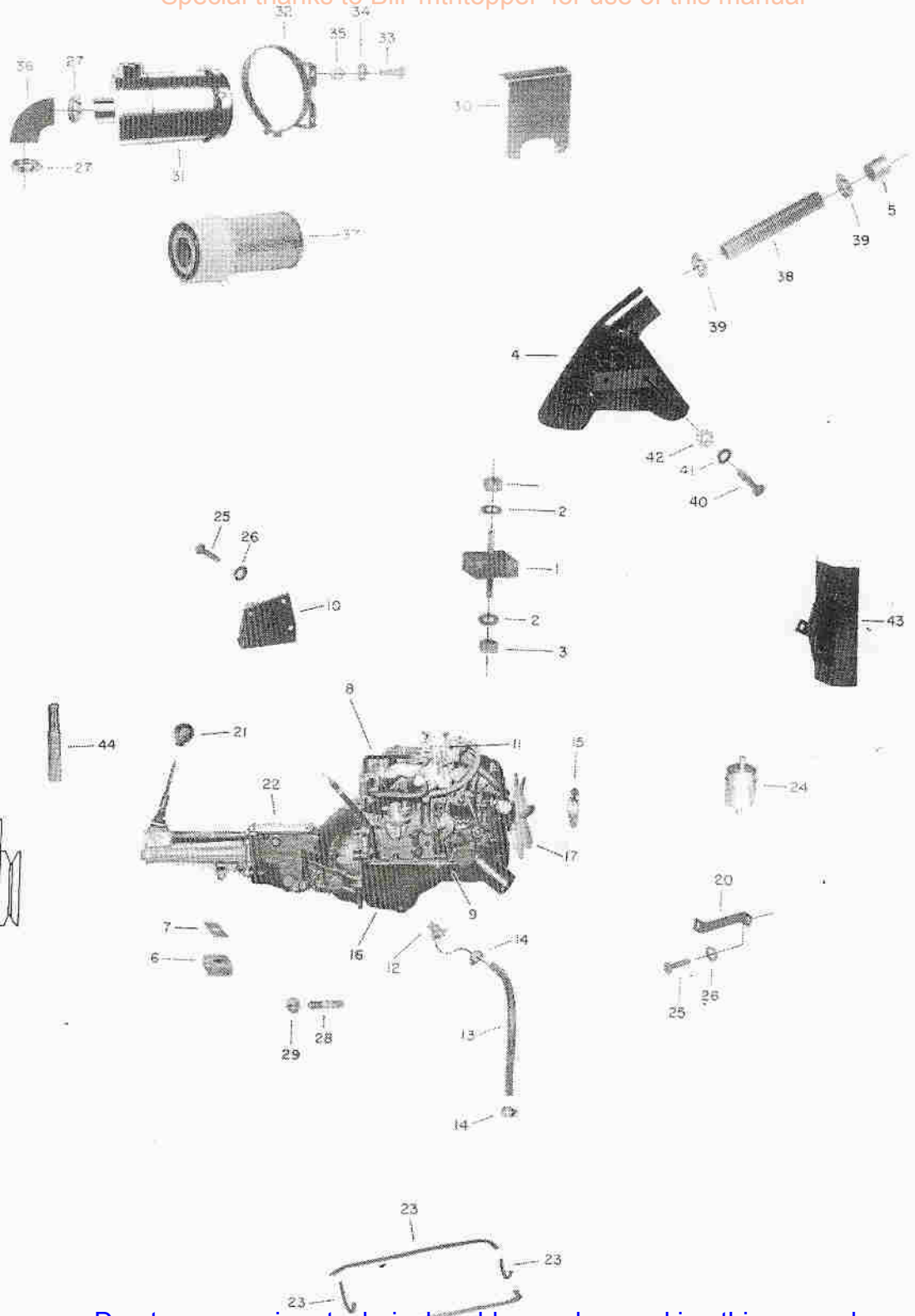
Due to some minor technical problems when making this manual,
some pages are OUT OF SEQUENCE,
you will have to keep that in mind when using the index

www.forumsforums.com/snowtrac.htm.
 Special thanks to Bill 'mnttopper' for use of this manual



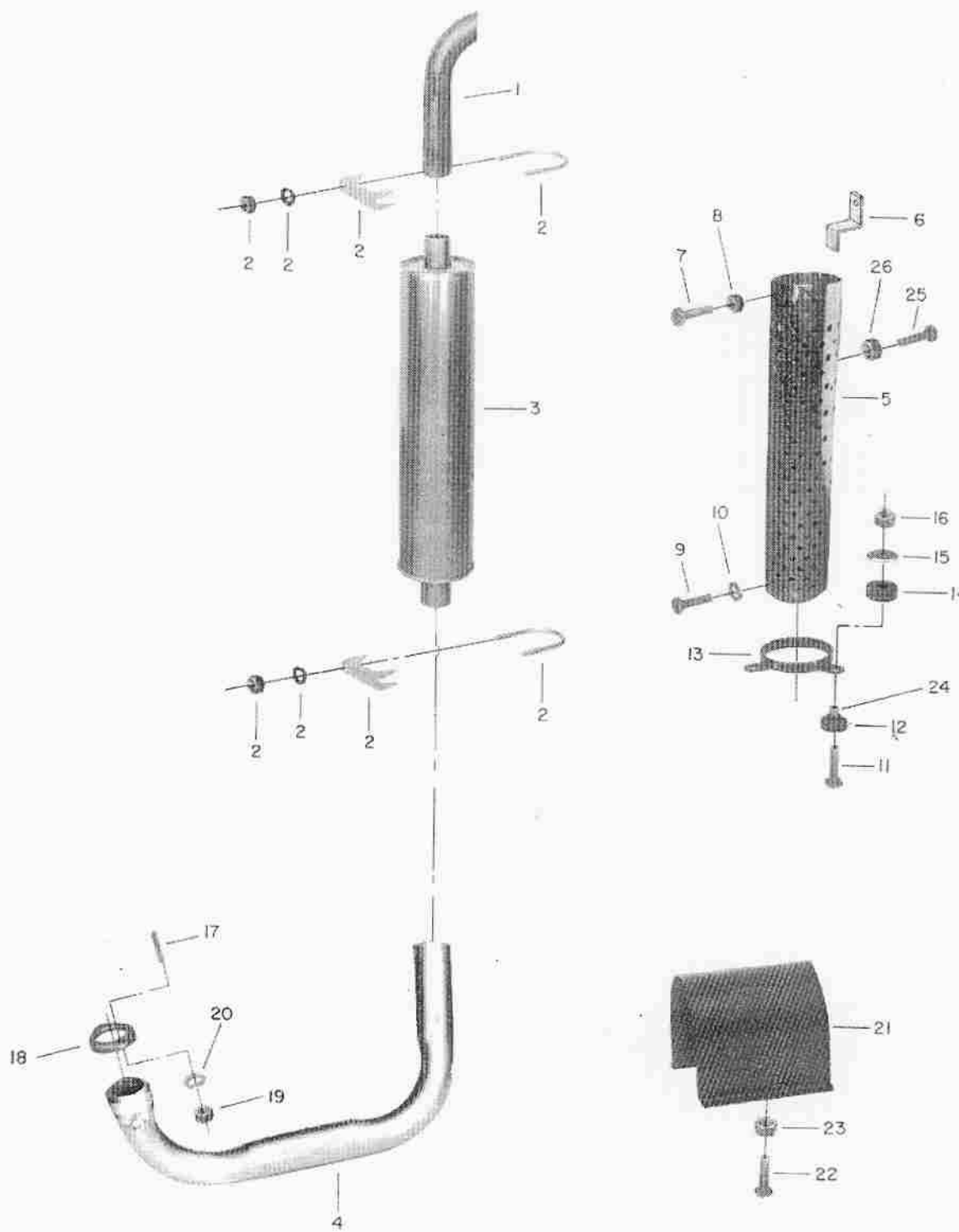
Due to some minor technical problems when making this manual,
 some pages are OUT OF SEQUENCE,
 you will have to keep that in mind when using the index

www.forumsforums.com/snowtrac.htm
 Special thanks to Bill 'mnttopper' for use of this manual



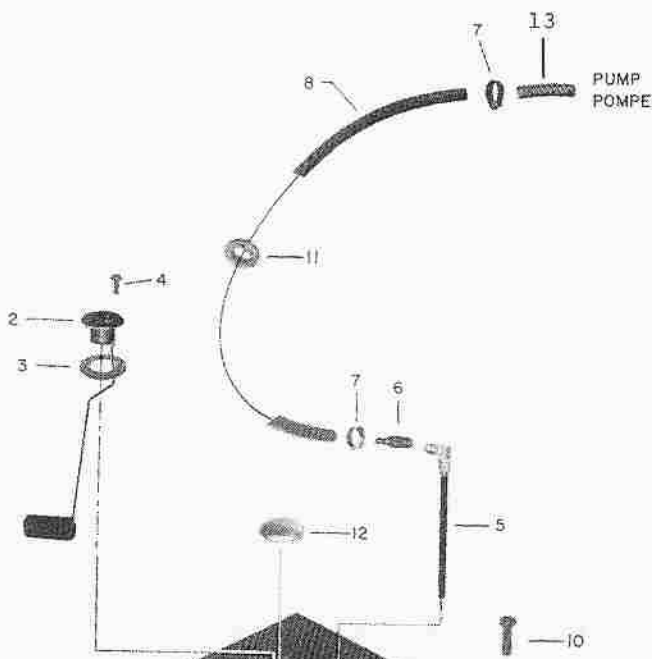
Due to some minor technical problems when making this manual,
 some pages are OUT OF SEQUENCE,
 you will have to keep that in mind when using the index

www.forumsforums.com/snowtrac.htm.
Special thanks to Bill 'mnttopper' for use of this manual



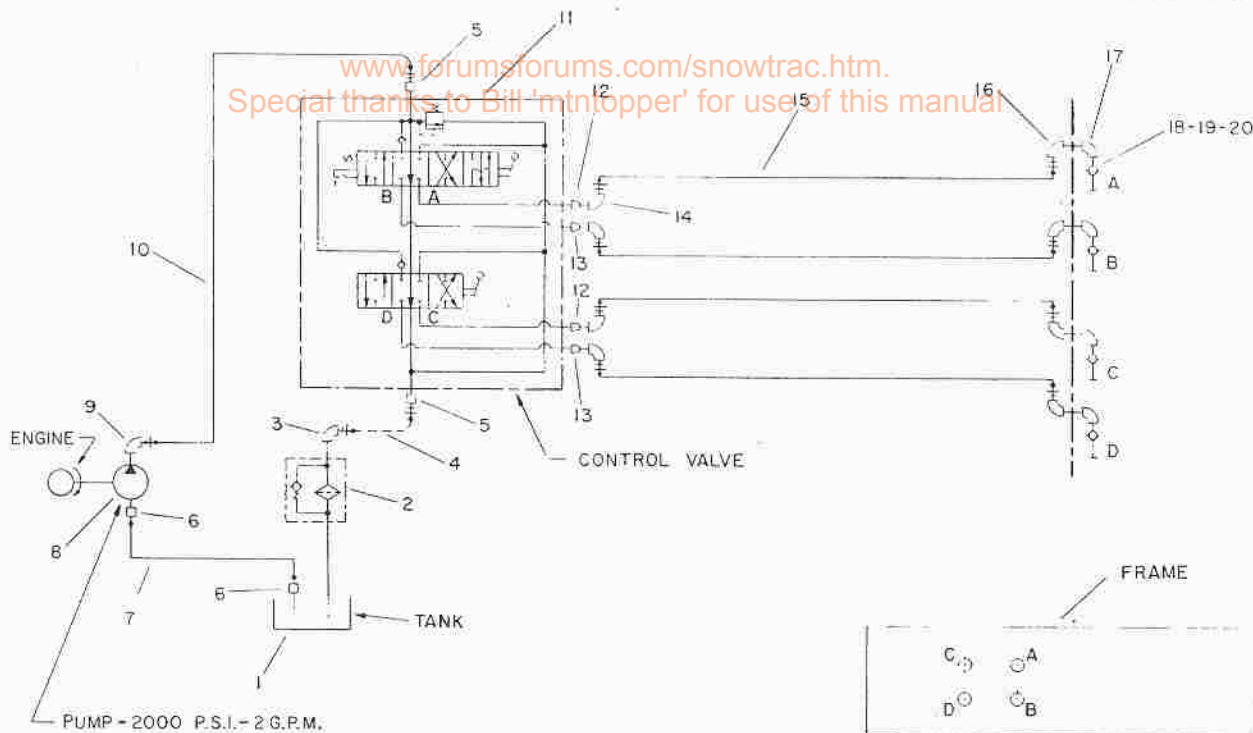
Due to some minor technical problems when making this manual,
some pages are OUT OF SEQUENCE,
you will have to keep that in mind when using the index

www.forumsforums.com/snowtrac.htm.
Special thanks to Bill 'mnttopper' for use of this manual



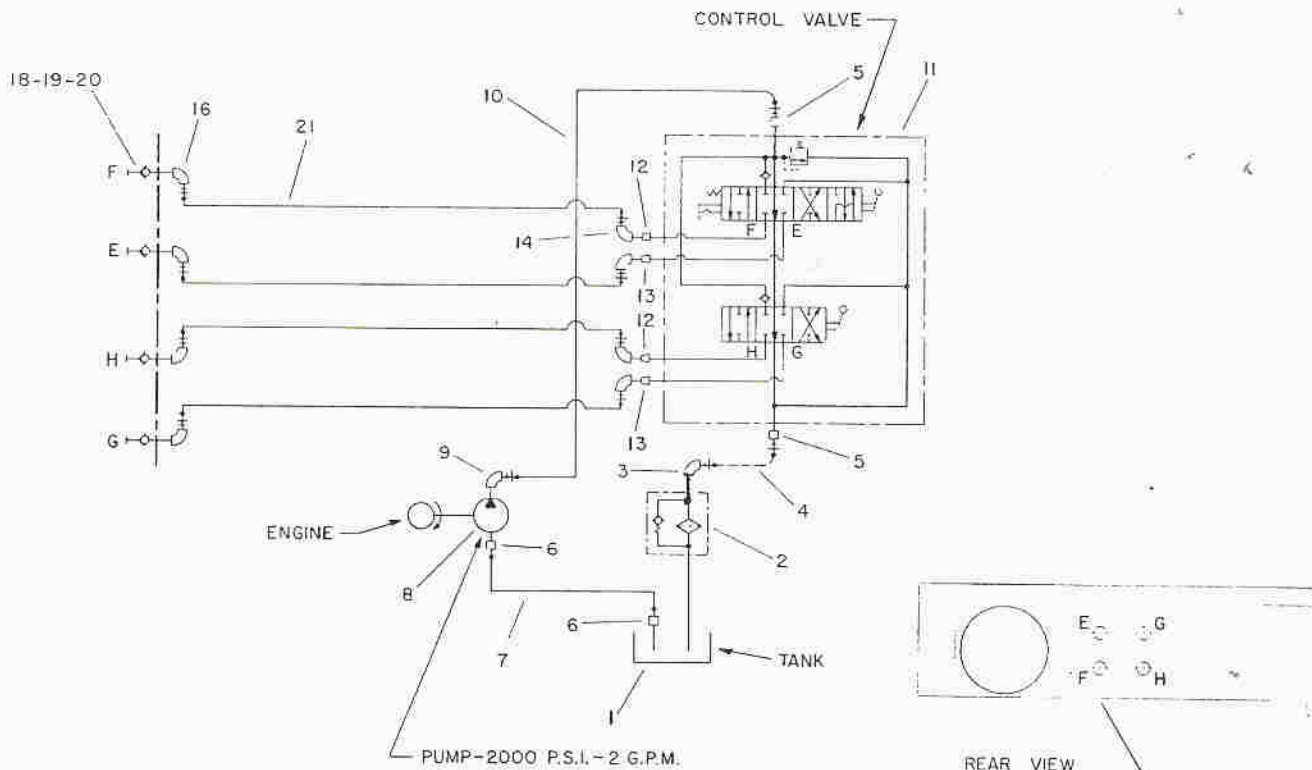
Due to some minor technical problems when making this manual
some pages are OUT OF SEQUENCE,
you will have to keep that in mind when using the index

www.forumsforums.com/snowtrac.htm.
Special thanks to Bill 'mntopper' for use of this manual



HYDRAULIC FRONT

FRONT VIEW

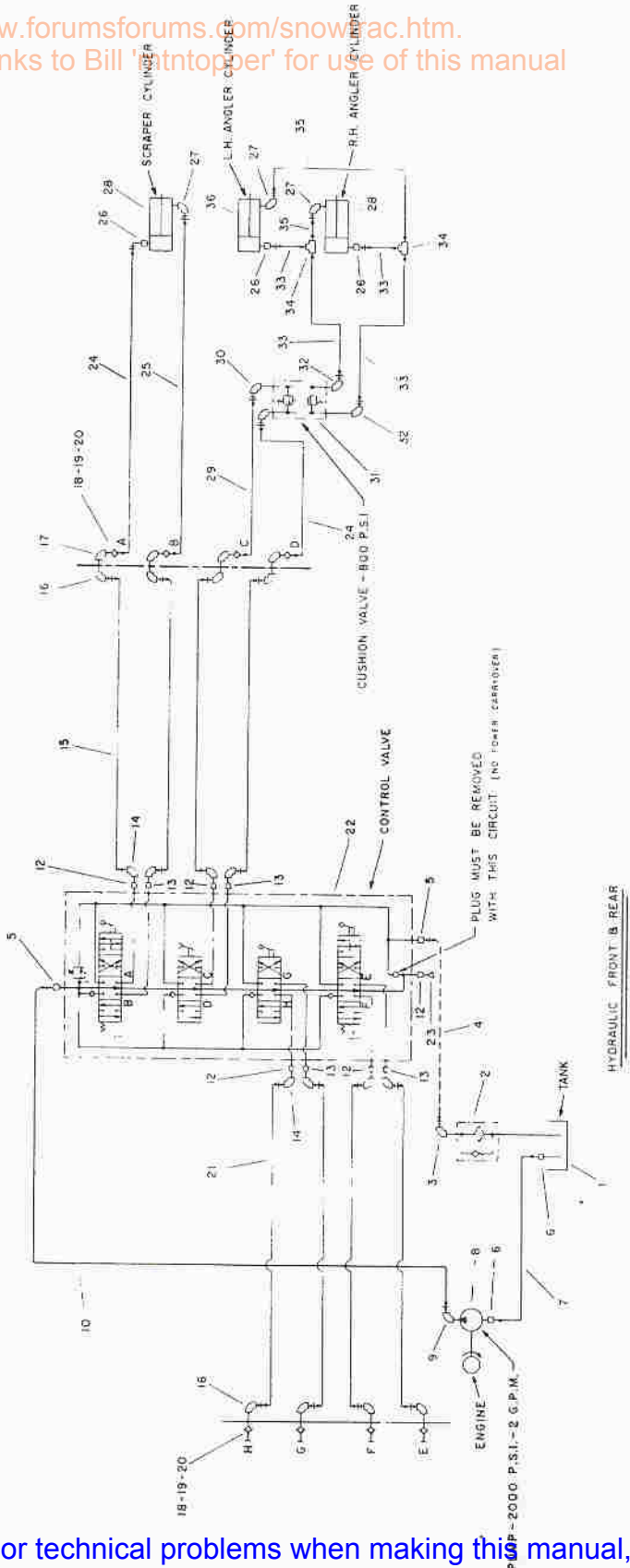
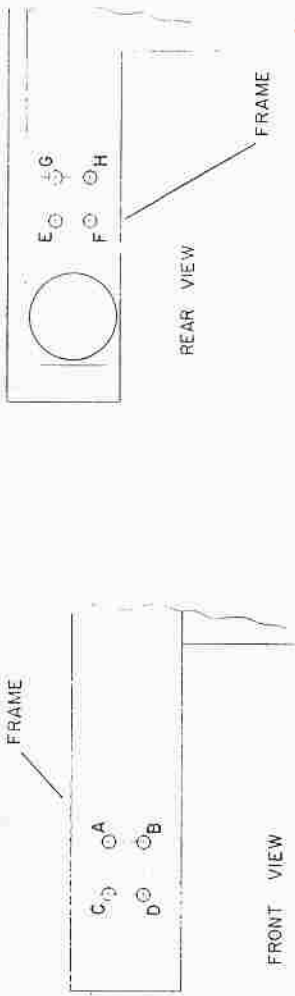


HYDRAULIC REAR

REAR VIEW

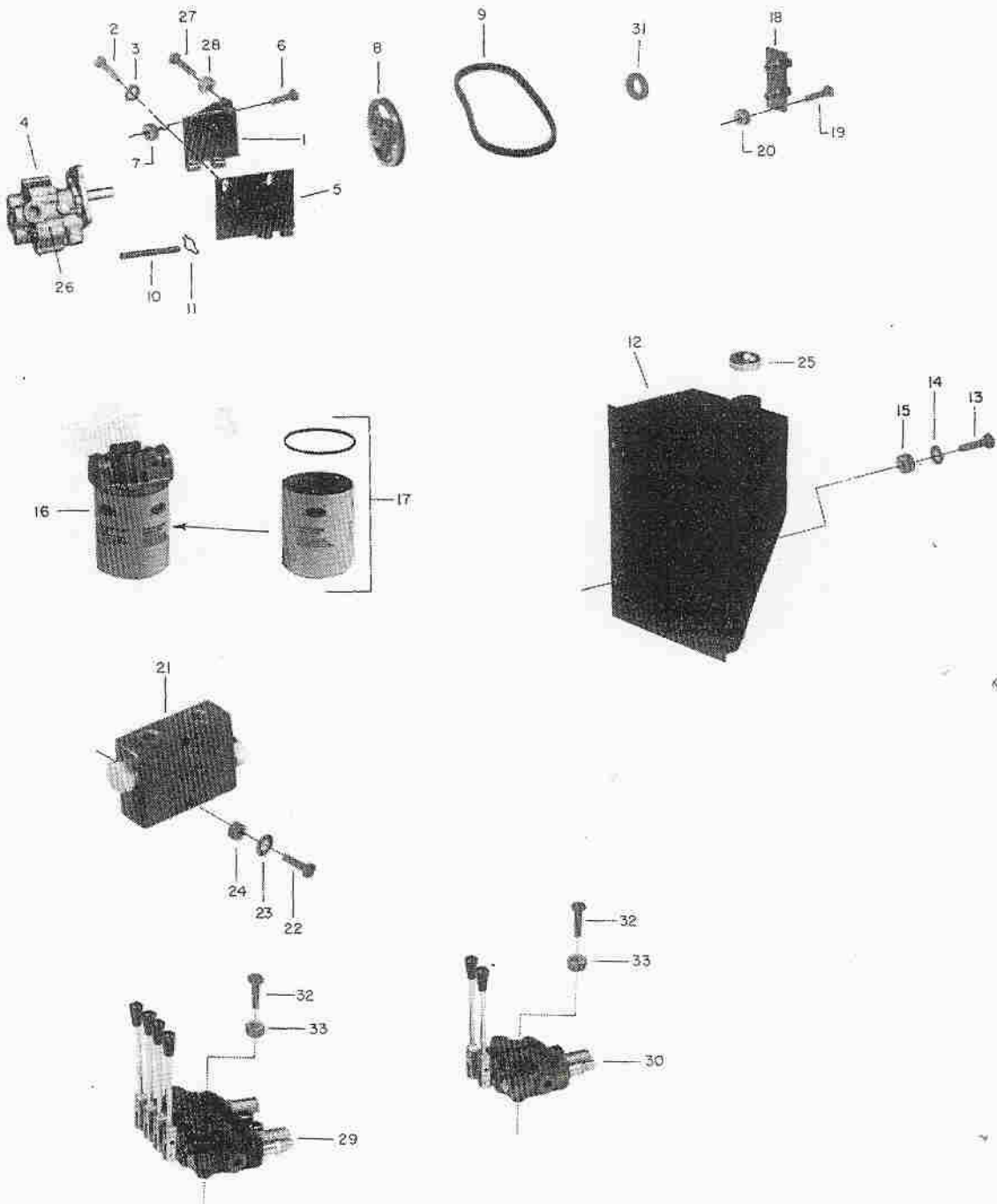
Due to some minor technical problems when making this manual,
some pages are OUT OF SEQUENCE,
you will have to keep that in mind when using the index

www.forumsforums.com/snowpac.htm.
Special thanks to Bill 'Anttopper' for use of this manual



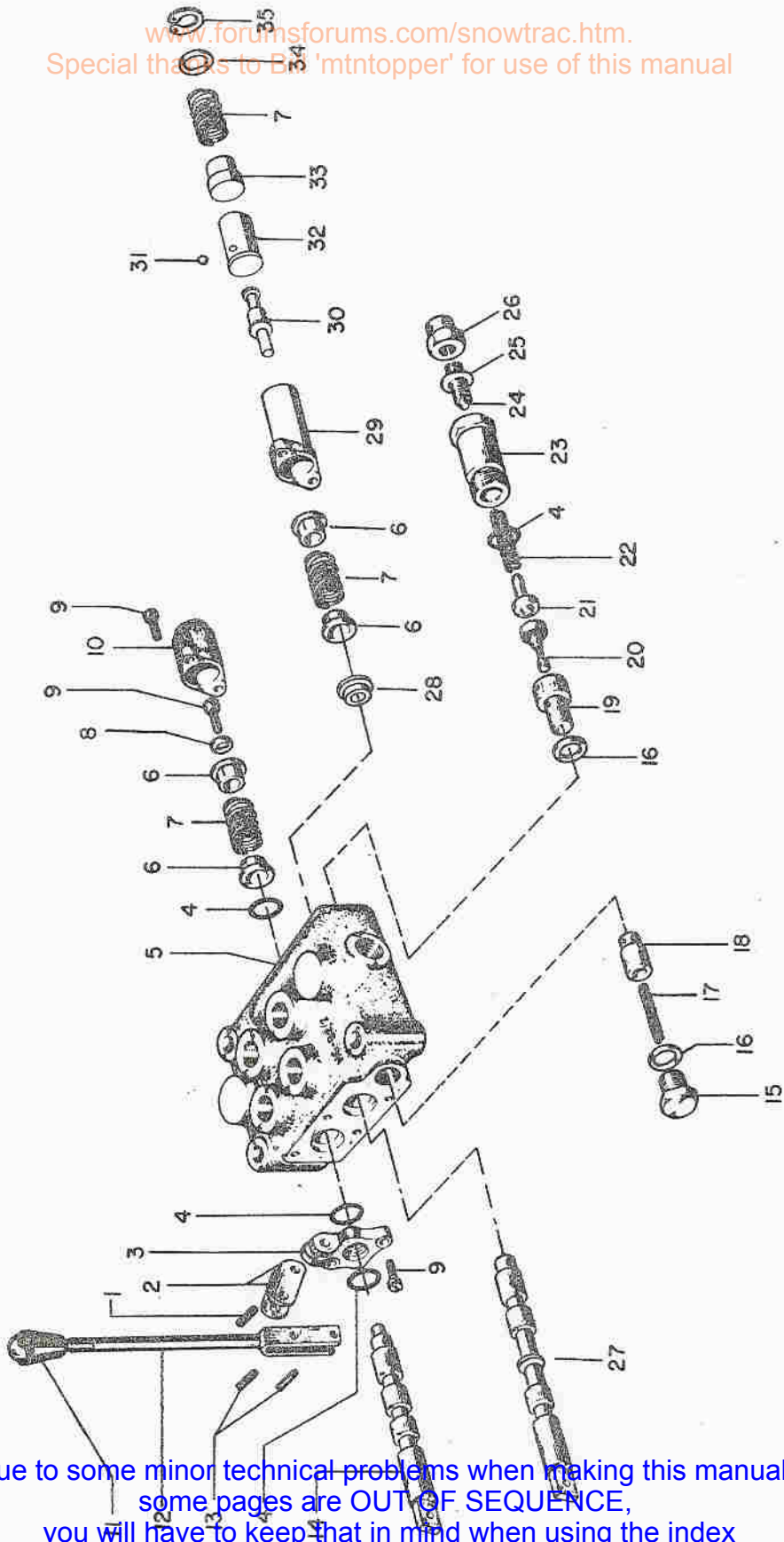
Due to some minor technical problems when making this manual, some pages are OUT OF SEQUENCE, you will have to keep that in mind when using the index

www.forumsforums.com/snowtrac.htm.
 Special thanks to Bill 'mntopper' for use of this manual



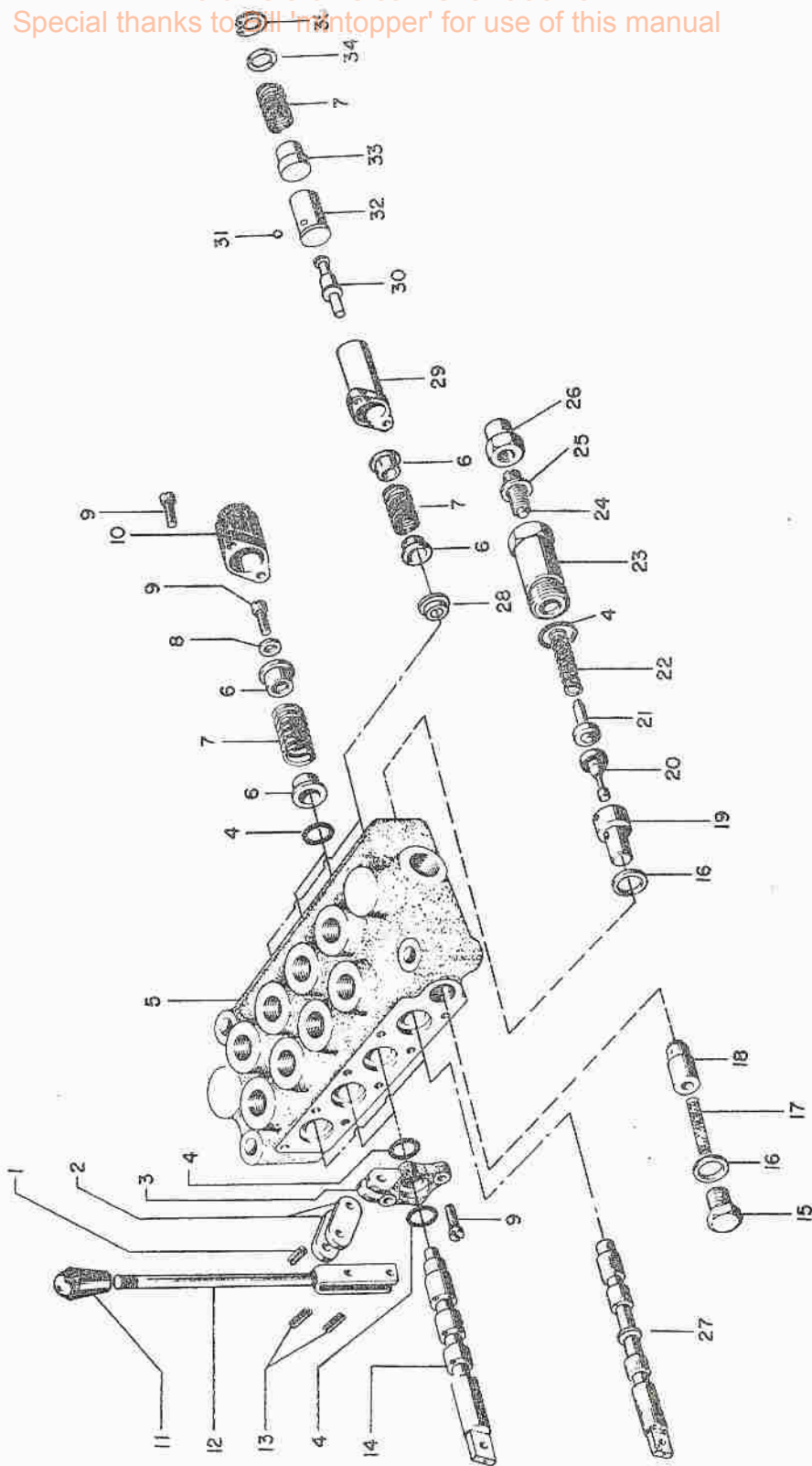
Due to some minor technical problems when making this manual,
 some pages are OUT OF SEQUENCE,
 you will have to keep that in mind when using the index

www.forumsforums.com/snowtrac.htm
Special thanks to Bill 'mnttopper' for use of this manual



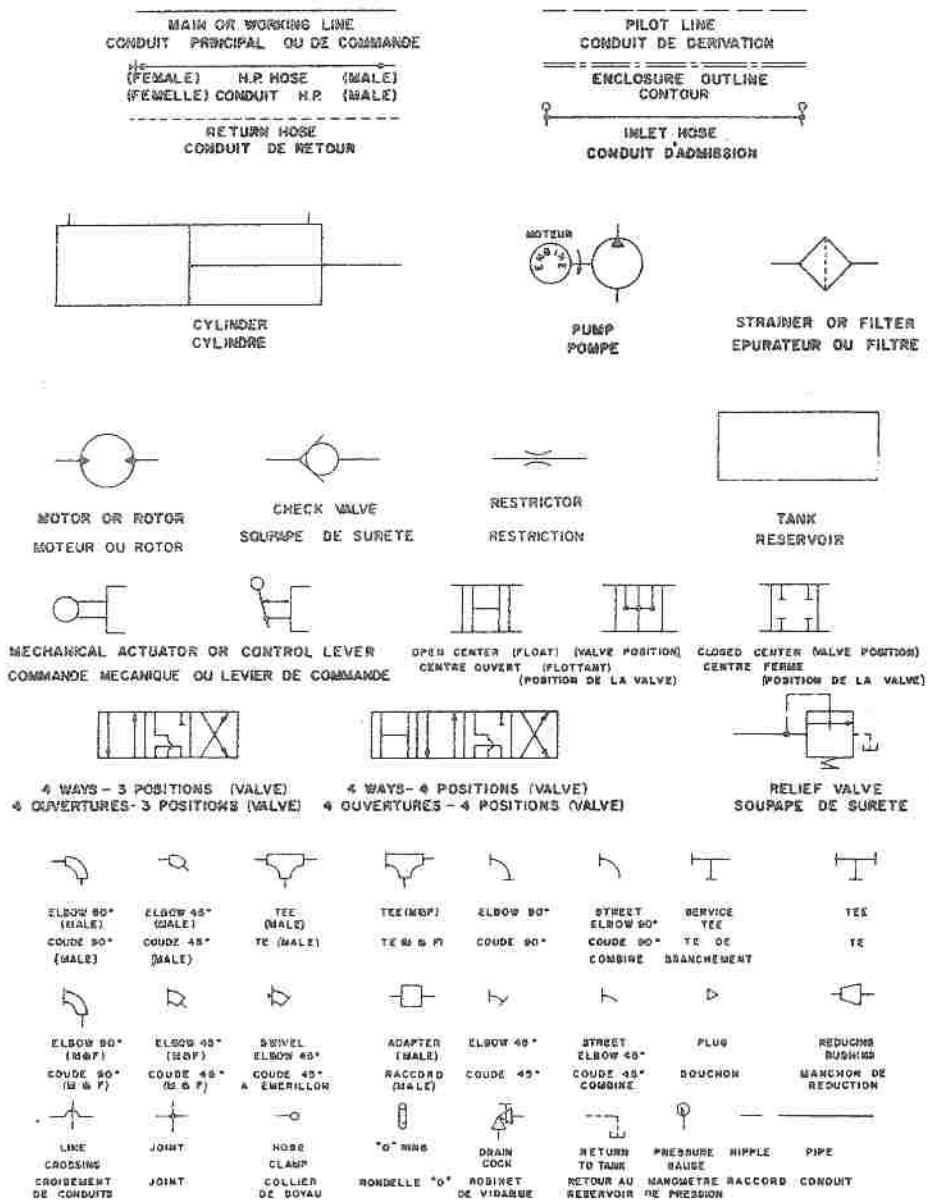
Due to some minor technical problems when making this manual, some pages are OUT OF SEQUENCE, you will have to keep that in mind when using the index

www.forumsforums.com/snowtrac.htm.
Special thanks to 'Oil Hopper' for use of this manual



Due to some minor technical problems when making this manual,
some pages are OUT OF SEQUENCE,
you will have to keep that in mind when using the index

www.forumsforums.com/snowtrac.htm.
 Special thanks to Bill 'mnttopper' for use of this manual



Due to some minor technical problems when making this manual,
 some pages are OUT OF SEQUENCE,
 you will have to keep that in mind when using the index

NO. PIECE PART NO.	SECTION	NO. PIECE PART NO.	SECTION	NO. PIECE PART NO.	SECTION	NO. PIECE PART NO.	SECTION
01 3003 00	07/2 & 09/2	107 5006 00	16/2	110 0026 00	13/2	114 0356 00	26/6
01 8005 00	06/2	107 6002 00	12/2	110 0029 00	15/4	114 0444 00	07/2
02 6074 00	10/2	107 7001 00	16/2	110 0044 00	15/4	114 0466 00	09/2
02 9303 00	16/2	107 7013 00	13/2 & 17/4	110 0045 00	15/4	114 0468 00	10/2
03 0008 00	11/2	107 7017 00	17/2	110 0047 00	15/4	114 0473 00	10/2
03 0054 00	11/2	107 8004 00	17/2			114 0546 00	16/2
03 0093 00	11/2	107 9005 00	15/4 & 17/4			114 0582 00	17/2
03 0151 00	11/2	107 9016 00	OPT.2			114 0701 00	14/2
03 0152 00	08/2	107 9066 00	08/8			114 0837 00	10/2
03 1163 00	08/4	107 9082 00	17/10			114 0844 00	08/4
03 9005 00	08/2	108 0003 00	12/2			114 0847 00	17/6 & 17/10
03 9006 00	08/2	108 0014 00	16/2			114 0849 00	00/2
03 9022 00	01/2	108 0016 00	08/6			114 0850 00	16/2
05 0110 00	01/2 & 08/2	108 0019 00	16/2			114 0867 00	17/8
05 0111 00	01/2 & 08/2	108 2005 00	03/2			114 0868 00	17/8
05 0112 00	08/4	108 2008 00	01/2			114 0869 00	17/8
05 0113 00	08/2	108 4033 00	08/6			114 0870 00	17/10
05 0118 00	08/2	108 4041 00	26/4			114 0879 00	17/8
05 0119 00	08/4	108 5023 00	13/2			114 0880 00	10/2
05 6016 00	08/2	108 5066 00	26/4			114 0891 00	17/10 & OPT.2
05 6017 00	08/2	108 5117 00	26/4			114 0899 00	MISC.2
05 6018 00	08/2	108 5173 00	26/4			114 0909 00	17/8
06 0005 00	03/2	108 5207 00	08/6			114 0934 00	MISC.2
06 0006 00	25/2	108 5213 00	26/4			114 0943 00	12/2
06 0011 00	03/2	108 5377 00	08/6			114 0962 00	07/2
06 0019 00	25/2	108 5404 00	08/6			114 0963 00	07/2
06 0021 00	25/2	108 5405 00	08/6			114 0964 00	07/2
06 0031 00	25/2	108 5406 00	26/4			114 0965 00	07/2
06 0056 00	08/2	108 5407 00	08/6			114 0966 00	07/2
06 0057 00	16/2	108 7088 00	08/2			114 0967 00	07/2
06 0063 00	25/2	108 7095 00	08/2			114 0994 00	00/2
06 0064 00	25/2	108 8001 00	12/2 & 16/2			114 1006 00	17/10
06 3009 00	01/2	108 8007 00	16/2			114 1007 00	17/10
06 3037 00	08/2	108 8019 00	16/2			114 1008 00	17/10
06 3038 00	02/2 & OPT.4	108 8039 00	12/2			114 1046 00	17/10 & OPT.4
06 3041 00	OPT.4	108 8043 00	14/2			114 1074 00	06/2
06 3047 00	25/2	108 9018 00	26/4			114 1082 00	12/2
07 0011 00	02/2 & opt. 4	108 9019 00	26/4			114 1084 00	12/2
07 0012 00	02/2 & OPT. 4	109 4167 00	15/2			114 1104 00	25/2
07 2021 00	13/2	109 4184 00	15/2			114 1105 00	25/2
07 2037 00	12/2	109 4185 00	15/2			114 1121 00	25/2
07 4034 00	16/2	109 4186 00	15/2			114 1135 00	25/2
07 5001 00	16/2	109 5002 00	15/2 & 15/4			114 1174 00	MISC.2
07 5002 00	16/2	109 5003 00	15/2 & 15/4			114 1234 00	12/2
		110 0008 00	13/2			114 1286 00	17/8
						114 1287 00	17/8
						114 1320 00	02/2 & OPT.4
						114 1330 00	01/2

Due to some minor technical problems when making this manual, some pages are OUT OF SEQUENCE you will have to keep that in mind when using the index

NO. PIECE PART NO.	SECTION	NO. PIECE PART NO.	SECTION	NO. PIECE PART NO.	SECTION	NO. PIECE PART NO.	SECTION
114 1331 00	01/2	200 0001 00	02/2 & OPT.4	600 0110 00	00/2	607 0194 00	07/2
114 1489 00	06/2	200 0002 00	02/2 & OPT.4	600 0111 00	00/2 & OPT.4	607 0195 00	07/2
114 1490 00	06/2			600 0112 00	00/2 & OPT.4	607 0196 00	07/2
114 2092 00	17/6	228 0015 05	14/2	600 0113 00	00/2	607 0197 00	07/2
114 2093 00	17/6	228 5210 15	12/2	600 0114 00	00/2	607 0199 00	07/2
114 2129 00	16/2			600 0115 00	00/2	607 0201 00	07/2
114 2156 00	17/2	264 1001 00	15/4	600 0116 00	00/2	607 0225 00	07/2 & OPT.4
114 2185 00	17/2			600 0130 00	00/2	607 0226 00	07/2
114 2244 00	17/2	371 9001 00	08/4	600 0131 00	00/2	607 0227 00	07/2
114 2288 00	MISC.2			600 0164 00	OPT.4	607 0229 00	07/2
		408 8005 00	13/2	600 0167 00	00/2	607 0230 00	07/2
		408 8024 00	16/2	601 0134 00	01/2	608 0126 00	08/4
115 0021 00	26/4			601 0174 00	01/2	608 0127 00	08/4
115 2007 00	26/4 & 26/6	410 5010 00	15/6	601 0195 00	01/2	608 0128 00	08/4
115 2008 00	26/2 & 26/6	410 9087 00	15/4	601 0196 00	01/2	608 0129 00	08/4
115 3232 00	26/4			601 0197 00	01/2	608 0130 00	08/4
115 3233 00	08/8 & 26/6	414 0363 00	09/2 & 17/8	601 0198 00	01/2	608 0137 00	08/2
115 3329 00	08/6 & 08/8	414 1152 00	16/2	601 0199 00	01/2	608 0138 00	08/2
		414 1285 00	15/8	601 0200 00	01/2	608 0139 00	08/2
		414 1372 00	16/2	601 0201 00	01/2	608 0141 00	08/2
116 0012 00	OPT.2	414 1603 00	07/2	601 0221 00	01/2	608 0142 00	08/2
		414 2744 00	08/2	602 0069 00	02/2 & OPT.4	608 0176 00	08/4
		414 3590 00	OPT.4	603 0269 00	03/2	608 0177 00	08/2
118 4002 00	26/4	420 8408 10	14/2	603 0413 00	03/2	608 0178 00	08/2
118 5012 00	08/8 & 26/6	420 8408 20	12/2	603 0427 00	03/2	609 0121 00	09/2
		420 9457 53	14/2	603 0437 00	OPT.4	609 0127 00	09/2
121 0039 00	10/2			603 0435 00	OPT.4		
122 0008 00	16/2	512 0130 00	14/2	603 0436 00	OPT.4	610 0139 00	17/4
122 0045 00	15/6			603 0437 00	OPT.4	610 0194 00	10/2
122 0095 00	12/2	515 0579 00	07/2	604 0067 00	14/2	612 0023 00	OPT.2
122 0096 00	12/2	517 1237 00	17/6	604 0209 00	12/2	612 0173 00	12/2
122 0097 00	09/2			606 0122 00	06/2 & 26/6	612 0174 00	10/2
122 0098 00	09/2	518 1178 33	17/6	606 0207 00	06/2	612 0175 00	12/2
122 0099 00	09/2			606 0208 00	06/2	612 0198 00	15/4
122 0146 00	15/4	540 0100 59	17/6	606 0209 00	06/2	612 0225 00	12/2
122 2005 00	12/2			606 0213 00	06/2	612 0244 00	12/2
122 2006 00	12/2	570 1241 00	14/2	606 0219 00	06/2	612 0315 00	12/2
122 2023 00	12/2	570 1242 00	14/2	606 0224 00	06/2	612 0320 00	12/2
122 2032 00	12/2	570 1257 00	12/2	606 0250 00	06/2	612 0321 00	12/2
122 2035 00	12/2	570 1336 00	12/2	606 0251 00	06/2	612 0350 00	12/2
122 2042 00	15/6	570 1773 00	13/2 & 15/4	606 0252 00	06/2	613 0027 00	OPT.2
		570 1794 00	17/8	606 0253 00	06/2	613 0234 00	13/2
180 0034 00	MISC.2	572 1704 00	06/2			613 0235 00	13/2
180 1088 00	MISC.2						
180 4072 00	MISC.2						
180 4073 00	MISC.2						

Due to some minor technical problems when making this manual, some pages are OUT OF SEQUENCE, you will have to keep that in mind when using the index

REF. NO. PIECE
NO. PART NO.

DESCRIPTION

QTE PAR VEHICULE
QTY PER VEHICLE

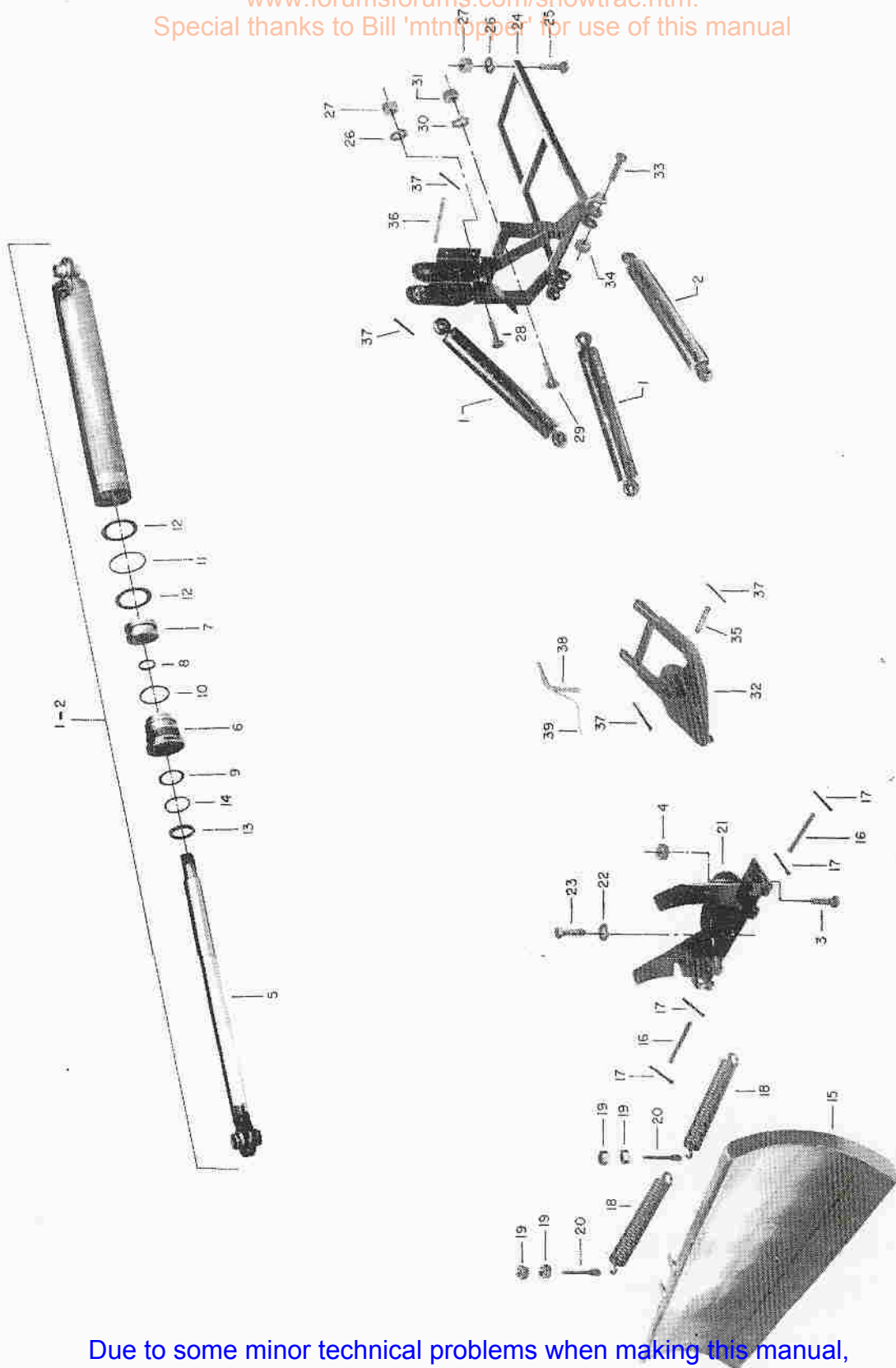
REF. NO.	PIECE NO. PART NO.	DESCRIPTION	QTE PAR VEHICULE QTY PER VEHICLE
690	1159 00	Trousse d'outils	1
1	629 0043 00	Cle	1
2	180 0034 00	Manuel du conducteur (BOMBARDIER)	1
2	180 128 00	Catalogue de pièces (BOMBARDIER)	1
3	629 0040 00	Cle pour chapeau de moyeu	1
4	629 0048 00	Dispositif de drainage(purgeur de tendeur de chenille)	1
5	180 4072 00	Guide de conduite (français)	1
5	180 4073 00	Guide de conduite (Anglais)	1
6	4 0039 00	Décalque "porte-fusible"	1
7	1422288 00	Décalque "charge maximum & pression des pneus"	1
8	40054 00	Décalque "BOMBI"	1
9	40020 00	Décalque "huile hydraulique"	1
9	41174 00	Décalque "filtre à air"	1
1	629 0057 00	Arrache-douille	1
2	629 0052 00	Arrache-douille	1
3	629 0054 00	Arrache & pose-douille	1
4	629 0053 00	Pose-douille	1
5	629 0051 00	Pose-douille	1
6	629 0050 00	Tige de retenue	1
7	629 0049 00	Douille d'ajustement	1
8	629 0044 00	Arrache-coussinet	1
9	629 0058 00	Arrache-coussinet	1
0	629 0052 00	Arrache-coussinet	1
1	142286 00	Décalque " Tableau de bord"	1
2	141822 00	Décalque "BOMBARDIER"	2

Kit-tool box	1
Wrench (threaded bushing)	1
Manual-operator's (BOMBARDIER)	1
Manual-parts (BOMBARDIER)	1
Wrench-hub cap	1
Adjuster-bleeder track	1
Guide-safe driving (french)	1
Guide-safe driving (English)	1
"Fuse block" decal	1
"Maximum charge & tire pressure" decal	1
"BOMBI" decal	1
"Hydraulic oil" decal	1
"Air cleaner" decal	1
Bushing-remover (axle gear)	1
Bushing-remover (brake drum gear)	1
Bushing-installer & remover (pinion gear)	1
Bushing-installer (axle gear)	1
Bushing-installer (brake drum gear)	1
Holder-companion flange	1
Socket-bearing adjuster	1
Ass'y-puller (removal side case bearing)	1
Ass'y-puller (removal pinion bearing)	1
Ass'y-puller (removal sprocket drive)	1
"Dash" decal	1
"BOMBARDIER" decal	2

www.forumsforums.com/snowtrac.htm.
Special thanks to Bill 'mnttopper' for use of this manual

Due to some minor technical problems when making this manual, some pages are OUT OF SEQUENCE, you will have to keep that in mind when using the index

www.forumsforums.com/snowtrac.htm.
Special thanks to Bill 'mntopper' for use of this manual



Due to some minor technical problems when making this manual,
some pages are OUT OF SEQUENCE,
you will have to keep that in mind when using the index

REF. NO. PIECE PART NO. QTE. PAR VEHIC QTY PER VEHIC

REF. NO.	PIECE PART NO.	DESCRIPTION	QTE. PAR VEHIC	QTY PER VEHIC
1	670 0048 00	Joint d'étanchéité		2
2	601 0195 00	Boftier		2
3	399 9865 00	Rondelle (1/4") (brass)		12
4	301 7003 00	Boulon (1/4" N.F.x 1"L. gr.8)		12
5	601 0097 00	Arbre		2
6	616 3009 00	Rondelle d'étanchéité		4
7	601 0001 00	Support (intérieur)		2
8	605 0010 00	Cône de roulement		4
9	603 0011 00	Cuvette de roulement		4
0	601 0099 00	Moyeu (avec cuvettes)		2
1	604 1131 00	Ecrou de blocage		2
2	604 1130 00	Rondelle de sûreté		2
3	601 0000 00	Support (extérieur)		2
4	600 0031 00	Roue de commande		2
5	600 7747 00	Boulon (5/16" N.F.x 2"L. gr.8)		20
6	601 0074 00	Douille		20
7	609 8812 00	Rondelle de sûreté (5/16")		20
8	601 0222 00	Ecrou (5/16" N.F.)		20
9	601 0198 00	Disque		2
0	601 0022 00	Joint d'étanchéité		2
1	601 0096 00	Boftier		2
2	601 0021 00	Goujon fileté		12
3	601 0224 00	Ecrou (3/8" N.F.)		12
4	601 0034 00	Boulon en "U"		2
5	609 8811 00	Rondelle de sûreté (3/8")		4
6	601 0724 00	Ecrou (3/8" N.F.)		4
7	600 2208 00	Graisser a pression		2

Gasket-axle housing
 Housing-drive
 Flatwasher (1/4") (brass)
 Screw (1/4" N.F.x 1"L. gr.8 B.P.)
 Shaft-drive axle
 Seal-oil
 Support-internal seat
 Cone-bearing
 Cup-bearing
 Hub-sprocket (with cups)
 Nut-lock
 Lockwasher
 Support-external seat
 Sprocket-drive
 Screw (5/16" N.F.x 2"L. gr.8 B.P.)
 Bushing
 Lockwasher (5/16")
 Nut-eslok
 Flange-sprocket
 Gasket
 Hub-axle
 Stud
 Nut-elastic stop (3/8" N.F.)
 Bolt "U"
 Lockwasher (3/8")
 Nut-hex. (3/8" N.F.)
 Fitting-grease

www.forumsforums.com/snowtrac.htm.
 Special thanks to Bill 'mntopper' for use of this manual

Due to some minor technical problems when making this manual, some pages are OUT OF SEQUENCE, you will have to keep that in mind when using the index

1. REF. NO. PIECE
 P.F. NO. PART NO.

DESCRIPTION

QTE PAR VEHICUL
 QTY PER VEHICLE

REF. NO.	PIECE PART NO.	DESCRIPTION	QTE PAR VEHICUL
1	680 0605 00	Roue (complète)	8
2	107 112 00	Chambre à air	8
3	107 0011 00	Pneu	8
4	106 9038 00	Rondelle d'étanchéité	8
5	200 0001 00	Cône de roulement	8
6	202 0069 00	Roue (avec cuvettes)	8
7	200 0002 00	Cuvette de roulement	16
8	114 320 00	Protecteur	8
9	371 0062 00	Goupille (5/32" dia. x 1 1/4" L.)	8
10	386 0601 00	Chapeau de moyeu (avec graisseur à pression)	8
11	200 0001 00	Graisseur à pression	8
12	200 0039 00	Cône de roulement	8
13	381 0039 00	Ecrou (1" N.S.)	8
14	381 0432 00	Tendeur	2
15	389 0001 00	Boulon (1/4" N.F. x 3/4" L. gr.5)	2
16	387 0287 00	Bouchon de retenue	2
17	67 0405 00	Support	2
18	383 0007 00	Boulon (1/4" N.F. x 2" L. gr.5)	2
19	383 0021 00	Rondelle (9/32" x 5/8" x .060" gr.2)	4
	383 0019 00	Ecrou (1/4" N.F.)	4
		Ass'y-wheel	8
		Tube-wheel	8
		Tire-wheel	8
		Seal-wheel oil	8
		Cone-wheel bearing	8
		Wheel (with cups)	8
		Cup-bearing	16
		Protector	8
		Pin-cotter (5/32" dia. x 1 1/4" L.)	8
		Ass'y-hub cap (with grease fitting)	8
		Fitting-grease	8
		Cone-wheel bearing	8
		Nut-wheel (1" N.S.)	8
		Tightener-handle	2
		Screw (1/4" N.F. x 3/4" L. gr.5 B.P.)	2
		Cap-retainer	2
		Support-spare wheel	2
		Screw (1/4" N.F. x 2" L. gr.5)	2
		Flatwasher (9/32" x 5/8" x .060" gr.2)	4
		Nut-elastic stop (1/4" N.F.)	4

Due to some minor technical problems when making this manual, some pages are OUT OF SEQUENCE, you will have to keep that in mind when using the index

Special thanks to Bill 'mntopper' for use of this manual

NO. REF. NO. PIECE
REF. NO. PART NO.

DESCRIPTION

QTY PER VEHICLE
QTY PER VEHICLE

NO. REF. NO. PIECE REF. NO. PART NO.	DESCRIPTION	QTY PER VEHICLE QTY PER VEHICLE
1 618 1166 00	Châssis (tendeur de chenille)	1
2 680 0695 00	Tendeur de chenille (complet)	2
3 603 0477 00	Piston	2
4 102 0005 00	Anneau de caoutchouc (1 1/8" x 7/8" x 1/8")	2
5 306 9083 00	Boulon (3/8" N.F. x 1" long Gr.5)	36
6 306 9089 00	Boulon (3/8" N.F. x 2 1/2" long Gr.5)	12
7 399 8011 00	Rondelle de sûreté (3/8")	48
8 388 7024 00	Ecrou (3/8" N.F.)	48
9 606 0269 00	Boîtier	2
10 100 0011 00	Anneau de caoutchouc	2
11 100 2005 00	Graisserie à pression	2
12 299 0029 00	Rondelle	2
13 888 2028 00	Ecrou	2
14 606 0413 00	Deuille d'espacement	2
15 777 0309 00	Rondelle de caoutchouc	2
16 000 9005 00	Boulon (1" N.F. x 1 1/2" Gr.5)	2
17 888 6019 00	Ecrou (1" N.F.)	2
18 399 8007 00	Rondelle de sûreté (1")	2
19 866 3042 00	Boîtier de torsion	2
20 660 3039 00	Levier de droite (avant & intermédiaire)	2
21 660 3040 00	Levier de gauche (avant & intermédiaire)	2
22 660 3038 00	Levier de droite (arrière)	2
23 660 3037 00	Levier de gauche (arrière)	2
24 000 6161 00	Boulon (1" N.F. x 3/4" L. Gr.8)	1
25 000 0028 00	Rondelle de sûreté (1")	1
26 000 7028 00	Ecrou (1" N.F.)	1
27 000 1918 00	Protecteur de caoutchouc	1
29 000 9017 00	Rivet	8

Frame-track adjuster
Ass'y-track adjuster

Rod-piston

"O" ring (1 1/8" x 7/8" x 1/8")

Bolt (flexitor) (3/8" N.F. x 1" long Gr.5 B.P.)

Bolt (flexitor) (3/8" N.F. x 2 1/2" long Gr.5)

Lockwasher (flexitor) (3/8")

Nut (flexitor) (3/8" N.F.)

Housing-adjuster

"O" ring

Fitting-grease

Washer

Nut

Bushing-spacer

Washer-rubber

Bolt (1/2" N.F. x 1 1/2" Gr.5)

Nut (1/2" N.F.)

Lockwasher (1/2")

Shell-flexitor

Arm-R.H. front & interm

Arm-L.H. front & interm

Arm-R.H. rear

Arm-L.H. rear

Bolt (for L.H. & R.H. arm) (1/2" N.F. x 3/4" L. Gr.8)

Lockwasher (for L.H. & R.H. arm) (1/2")

Nut (for L.H. & R.H. arm) (1/2" N.F.)

Pad-Rubber

Rivet-Pop

Due to some minor technical problems when making this manual,
some pages are OUT OF SEQUENCE,
you will have to keep that in mind when using the index

www.forumsforums.com/snowtrac.htm.
Special thanks to Bill 'mtntoppe' for use of this manual

REF. F.NO.	NO. PIECE PART NO.	DESCRIPTION	QTE PAR VEHICULE QTY PER VEHICLE
1	606 0253 00	Levier d'ancrage (direction)	2
2	606 0213 00	Cheville (levier de direction)	2
3	101 8005 00	Agrafe	4
4	606 1122 00	Cheville	2
5	114 0333 00	Agrafe	4
6	606 0251 00	Douille	2
7	680 0633 00	Levier de droite (avec poignéo)	1
7	680 0634 00	Levier de gauche (avec poignée & gradateur)	1
8	300 0028 00	Ecroû (½" N.F.)	2
9	522 704 00	Poignée	2
0	681 0049 00	Gradateur	1
1	606 0208 00	Bande (avec garniture & rivet) (bas)	2
2	606 0250 00	Tige	2
3	104 1489 00	Cheville d'attache	2
4	104 1490 00	Cheville d'attache	2
5	311 0031 00	Goupille (1/8 X 3/4 L.)	4
6	606 0220 00	Plaque	4
7	104 1490 00	Cheville d'attache	4
8	300 0031 00	Goupille (1/8 X 3/4 L.)	4
9	300 0001 00	Rivet	4
0	606 0207 00	Garniture (bande du bas & haut)	4
1	321 5043 00	Boulon (gradateur) (#8 N.C.X 3/4"L.)	2
2	606 0224 00	Bloc	2
3	106 0057 00	Anneau de caoutchouc (½" I.D. x .316)	2
4	606 0209 00	Douille	2
5	606 0219 00	Bande (avec garniture & rivet) (haut)	2
6	606 0252 00	Support	2
7	300 8042 00	Boulon (5/16"N.F. x 7/8" Gr.5)	1
8	308 2022 00	Ecroû (5/16" N.F.)	16
9	301 0025 00	Rondelle (13/32")	2
0	104 1074 00	Ressort	2
1	381 0001 00	Ecroû (#8 N.C.)	1
		Plate-steering lever	
		Pin-lever (lever plate)	
		Clip (lever pin)	
		Pin-steering lever	
		Clip-steering lever pin	
		Bushing-adj.thread	
		Ass'y-R.H.steering & brake lever (with handle grip)	
		Ass'y-L.H.steering & brake lever (with handle grip & dimmer switch)	
		Nut (adj.yoke) (½" N.F.)	
		Grip-handle	
		Switch-dimmer	
		Band-steering (lower)	
		Rod-steering band yoke	
		Pin-clevis	
		Pin-clevis	
		Pin-cotter (1/8"x3/4"L.)	
		Plate-link	
		Pin-clevis	
		Pin-cotter (1/8"x 3/4"L.)	
		Rivet	
		Lining-steering band (lower & upper)	
		Screw-machine (dimmer switch) (#8 N.C.X 3/4"L.)	
		Block-steering band yoke	
		"O" ring-yoke (½" I.D. x .316W)	
		Bushing-male threaded	
		Band-steering (upper)	
		Support-steering & brake lever	
		Bolt (steering support) (5/16"N.F. x 7/8"Gr.5)	
		Nut (steering support) (5/16" N.F.)	
		Washer (13/32")	
		Spring (brake return)	
		Nut (#8 N.C.)	

Due to some minor technical problems when making this manual,
 some pages are Out Of Sequence.
 you will have to keep that in mind when using the index

Special thanks to Bill 'mnttopper' for use of this manual
www.forumstorums.com/snowtac.htm

QTE PAR VEHICULE
QTY PER VEHICLE

NO. REF.
REF. NO.

NO. PIECE
PART NO.

DESCRIPTION

NO. REF. REF. NO.	NO. PIECE PART NO.	DESCRIPTION	QTE PAR VEHICULE QTY PER VEHICLE
1	607 0226 00	Pédale	1
2	101 3003 00	Couvre-pédale	1
3	399 9016 00	Rondelle (5/16")	1
4	305 2044 00	Boulon (5/16"N.F. x 1½" Gr.5)	1
5	399 8012 00	Rondelle de sûreté (5/16")	1
6	396 2022 00	Ecrou (5/16" N.F.)	1
7	14 0207 00	Ressort	1
8	307 0230 00	Disque de frein	1
9	398 2024 00	Ecrou (3/8"N.F.)	2
10	300 9089 00	Boulon (3/8"N.F. x 2¼" Gr.5)	2
11	307 0201 00	Bague d'espacement	2
12	300 7024 00	Ecrou (3/8" N.F.)	1
13	399 8011 00	Rondelle de sûreté (3/8")	2
14	114 0040 00	Fourche d'attache (avec cheville et goupille)	1
15	307 0196 00	Tige	1
16	371 8002 00	Goupille (3/32" x ¾" L.)	1
17	307 0235 00	Arbre transversal	1
18	307 0197 00	Support	2
19	300 8041 00	Boulon (5/16"N.F. x ¾" Gr.5)	4
20	399 8012 00	Rondelle de sûreté (5/16")	4
21	308 2001 00	Graisserie à pression	3
22	307 0195 00	Barrure (verrou)	1
23	307 0194 00	Lever de frein à main	1
24	307 0199 00	Tige (frein)	1
25	114 0051 00	Cheville d'attache	1
26	371 8002 00	Goupille (3/32" x ¾" L.)	1
27	300 8041 00	Boulon (5/16"N.F. x ¾" Gr.5)	2
28	398 2022 00	Ecrou (5/16" N.F.)	1
29	114 0444 00	Ressort	1
30	118 0989 00	Support	1
31	300 9043 00	Boulon (5/16"N.F. x 1" Gr.5)	3
32	396 2022 00	Ecrou (5/16" N.F.)	3
33	399 8012 00	Rondelle de sûreté (5/16")	3
34	301 7085 00	Boulon (3/8"N.F. x 1½" Gr.8)	3
35	399 8011 00	Rondelle de sûreté (3/8")	4
36	380 7024 00	Ecrou (3/8" N.F.)	4
37	115 0579 00	Commutateur (frein)	1
38	114 1603 00	Ressort	1
39	114 0967 00	Plaque	1
40	114 0962 00	Garniture	1
41	390 5026 00	Rivet	2
42	114 0966 00	Ressort	8
43	114 0965 00	Plaque	2
44	114 0964 00	Came	1
45	114 0963 00	Support (came)	1
46	607 0227 00	Pédale	1
47	660 7013 00	Ressort	1
48	391 3025 00	Rondelle (13/32" x 13/16" x .060")	2
49	607 0229 00	Espaceur	1

Pedal-brake
Pad-brake pedal
Flatwasher (5/16")
Bolt 5/16"N.F. x 1½" Gr.5)
Lockwasher (5/16")
Nut (5/16" N.F.)
Spring-brake pedal release
Disc.-brake
Nut (3/8"N.F.)
Bolt (3/8"N.F. x 2¼" Gr.5 B.P.)
Bushing-spacer
Nut (3/8" N.F.)
Lockwasher (3/8")
Yoke-clevis (C/W pin & cotter pin)

Rod-clevis
Pin-cotter (3/32" x ¾" L.)
Shaft-cross
Support-cross shaft
Bolt (5/16"N.F. x ¾" Gr.5)
Lockwasher (5/16")
Fitting-grease
Lock-parking brake
Handle-hand brake
Rod-park brake
Pin-clevis (parking brake lock)
Pin-cotter (brake rod)(3/32" x ¾" L.)
Screw (hand brake handle)(5/16"N.F. x ½" Gr.5)
Nut-elastic stop (hand brake handle)(5/16"N.F.)
Spring (hand brake handle release)
Support-disc brake
Bolt-support(5/16"N.F. x 1" Gr.5B.P.)
Nut (support)(5/16" N.F.)
Lockwasher (support) (5/16")
Bolt (brake disc)(3/8"N.F. x 1½" Gr.8 B.P.)
Lockwasher (brake disc) (3/8")
Nut (brake disc)(3/8" N.F.)
Switch-stop light
Spring (stop light switch)
Plate-rib
Lining-friction
Rivet
Spring-compression
Plate-flat
Cam (with pin)
Bracket-cam actuator
Pedal-brake shaft
Spring
Flatwasher (13/32" x 13/16" x .060")
Spacer-brake

www.forumsforums.com/snowtrac.htm.
Special thanks to Bill 'mnttopper' for use of this manual

Due to some minor technical problems when making this manual,
some pages are OUT OF SEQUENCE,
you will have to keep that in mind when using the index

O. REF.
REF. NO.NO. PIECE
PART NO.

DESCRIPTION

QTE PAR VEHICULE
QTY PER VEHICLE

1	660 0812 00	Différentiel & carter (complet)	Ass'y-differential & carrier	1
2	680 0302 00	Carter de différentiel (complet)	Ass'y-differential carrier	1
3	680 0251 00	Différentiel (complet)	Ass'y-differential	1
4	680 0032 00	Boutiers centraux & latéraux du différentiel	Ass'y-differential center & side cases	1
5	1000 9006 00	Joint d'étanchéité en "U"	"U" gasket-differential	1
6	390 8004 00	Rondelle de sûreté	Lockwasher (carrier to frame)	15
7	300 9083 00	Boulon (3/8" N.F. x 1" Gr.5)	Bolt (carrier to frame)(3/8"N.F.x1"Gr.5B.P.)	15
8	000 7088 00	Bouchon de vidange	Plug-differential drain (magnetic)	1
9	000 7095 00	Bouchon de remplissage	Plug-differential filler	1
10	000 9005 00	Joint d'étanchéité	Gasket-differential cover	1
11	600 0142 00	Couvercle du différentiel	Cover-differential	1
12	990 8012 00	Rondelle de sûreté (5/16")	Lockwasher (differential cover)(5/16")	26
13	000 8041 00	Boulon(5/16"N.F. x 3/4" Gr.5)	Bolt (differential cover)(5/16"N.F.x3/4" Gr.5)	26
14	660 8062 00	Bouchon d'aération	Vent-air (diff. cover)	2
15	680 0029 00	Bouchon d'inspection (complet)	Ass'y inspection hole plug	2
16	000 0056 00	Bouchon de caoutchouc (1 7/16"x1 11/16"x1 1/8")	"O" ring (1 7/16"x1 11/16"x 1/8")	2
17	014 2744 00	Anneau de caoutchouc	"O" ring	2
18	000 0137 00	Cale de .005"	Shim .005"	A.R.
18	600 0138 00	Cale de .010"	Shim .010"	A.G.R.
18	900 0139 00	Cale de .015"	Shim .015"	A.R.
19	000 0118 00	Cône de roulement	Cone-drive pinion rear bearing	1
20	000 0113 00	Cône de roulement	Cone-drive pinion front bearing	1
21	000 3037 00	Rondelle d'étanchéité	Seal-drive pinion housing oil	1
22	000 0152 00	Fourche de Pignon	Flange-pinion companion	1
23	990 0036 00	Rondelle (13/16")	Flatwasher-pinion (13/16")	1
24	000 6018 00	Douille	Bushing	12
25	000 6016 00	Douille	Bushing	12
26	000 0141 00	Bague d'ajustement de coussinet(avec cuvette)	Adjuster-bearing (with cup)	2
27	011 000	Cuvette de roulement	Cup-bearing	2
28	624 0475 00	Cale de .008"	Shim .008"	A.R.
28	624 0399 00	Cale de .005"	Shim .005"	A.R.
28	624 0400 00	Cale de .010"	Shim .010"	A.R.
28	600 0177 00	Cale de .015"	Shim .015"	A.R.
28	600 0178 00	Cale de .020"	Shim .020"	A.R.
28	300 8103 00	Boulon (3/8"N.F. x 6" Gr.5)	Bolt(collet) 3/8" N.F. x 6" long Gr.5)	2
29	300 7085 00	Boulon (3/8"N.F. x 1 1/4" Gr.8)	Bolt(collet) 3/8" N.F. x 1 1/2" long Gr.8BP) 2	2

Due to some minor technical problems when making this manual, some pages are OUT OF SEQUENCE, you will have to keep that in mind when using the index

Special thanks to Bill 'mntopper' for use of this manual

BOMBI 1

DIFFERENTIAL

QTE PAR VEHICULE
QTY PER VEHICLE

NO. REF.
REF. NO.

NO. PIECE
PART NO.

DESCRIPTION

30	399	8011	00	Rondelle de sûreté (3/8")	Lockwasher (collet)(3/8")	2
31	380	7024	00	Ecrou (3/8" N.F.)	Nut (collet)(3/8" N.F.)	4
32	102	1163	00	Couronne & pignon (ensemble)	Set-crown gear & pinion (with locknut)	1
33	662	8052	00	Boulon	Bolt (crown gear)	10
34	600	0126	00	Engrenage	Gear-axle (axle to diff.)	2
35	600	0127	00	Engrenage	Gear-pinion (diff.)	6
36	661	8055	00	Clavette	Key-woodruff	6
37	600	0128	00	Engrenage	Gear-planetary	6
38	379	9001	00	Anneau fermoir	Ring-snap (diff. pinion gear)	6
39	100	0110	00	Cône de roulement	Cone-bearing (diff. carrier)	2
40	000	0130	00	Tambour de frein de direction	Drum-steering brake	2
41	000	0129	00	Engrenage (avec douille)	Gear-brake drum (with bushing)	2
42	000	6017	00	Douille	Bushing(gear)	12
43	660	8051	00	Boulon	Bolt (brake drum gear)	6
44	661	8044	00	Goujon	Pin-dowel	6
45	800	8095	00	Boulon (3/8" N.F. x 4" Gr.5)	Bolt(diff. gear case)(3/8" N.F. x 4" Gr.5)	6
46	999	8011	00	Rondelle de sûreté (3/8")	Lockwasher (diff. gear case)(3/8")	6
47	388	2024	00	Ecrou (3/8" N.F.)	Nut (diff. gear case) (3/8" N.F.)	6
48	300	0176	00	Barre	Bar-stiffener	1
49	300	9083	00	Boulon (3/8" N.F. x 1")	Screw-hex cap (3/8" N.F. x 1" B.P.)	4
50	388	7024	00	Ecrou (3/8" N.F.)	Nut-hex (3/8" N.F.)	4
51	399	8011	00	Rondelle de sûreté (3/8")	Lockwasher (3/8")	4
52	100	0119	00	Cuvette de roulement(avant)	Cup-bearing (front)	1
53	100	0112	00	Cuvette de roulement(arrière)	Cup-bearing (rear)	1

Due to some minor technical problems when making this manual, some pages are OUT OF SEQUENCE, you will have to keep that in mind when using the index

www.forumsforums.com/snowtrac.htm.
Special thanks to Bill 'mntopper' for use of this manual

BOMBI 1

QTE PAR VEHIC
QTY PER VEHIC

DESCRIPTION

Hose-L.P. (with fittings)
(59" long)
Elbow 90°
Elbow 45°
Elbow 90°
Hose-L.P. (with fittings)
(15" long)
Pump
Filter-oil
Elbow 90°
Hose-L.P. (with fittings)
(71" long)
Hose-L.P. (with fittings)
(106" long)
Elbow 90°
Cooler-oil
Elbow 90°
Adaptor

Boyau a B.P. (muni de raccords)
(59" de longueur)
Coude 90°
Coude 45°
Coude 90°
Boyau a B.P. (with fittings)
(15" de longueur)
Pompe
Filtre a l'huile
Coude 90°
Boyau a B.P. (muni de raccords)
(71" de longueur)
Boyau a B.P. (muni de raccords)
(106" de longueur)
Coude 90°
Refrigidisseur d'huile
Coude 90°
Raccord

REF. NO. PIECE
PART NO.

2 626 1479 00
3 108 5405 00
4 108 5077 00
5 108 5004 00
6 626 1480 00
7 626 6001 00
8 115 3229 00
9 108 0016 00
10 626 1086 00
1 115 0032 00
2 108 4433 00
3 108 6031 00
4 108 5007 00
5 108 5007 00

1
1
1
2
1
1
1
1
1
1
1
1
1
1
2
2
1

www.forumsforums.com/snowtrac.htm.
Special thanks to Bill 'mnttopper' for use of this manual

Get to some minor technical problems when making this manual,
some pages are OUT OF SEQUENCE,
you will have to keep that in mind when using the index

NO. REF. NO. PIECE
REF. NO. PART NO.

DESCRIPTION

QTE PAR VEHICULE
QTY PER VEHICLE

1	115 3233 00	Noyau du filtre	Element-oil filter	1
2	662 6101 00	Pompe	Pump	1
3	118 5012 00	Ensemble de rondelle d'étanchéité(pompe)	Kit-seal (pump)	1
4	626 0917 00	Support (filtre a l'huile)	Bracket-oil filter	1
5	11533329 00	Filtre a l'huile	Filter-oil	1
6	616 9210 00	Support	Support	2
7	661 6031 00	Refrigidisseur d'huile	Cooler-oil	1
8	107 9066 00	Courroie en "v" (pompe)	"V" belt (pump)	1
9	616 0209 00	Plaque	Plate-pivot	1
10	616 0207 00	Support (pompe) (bas)	Support-pump (base)	1
11	616 6026 00	Poulie(pompe)	Pulley-pump	1
12	666 0208 00	Support (pompe)	Support (pump)	1
13	666 0211 00	Bague d'espacement. (pompe)	Spacer-pump	1
14	300 9001 00	Boulon (1/4" N.F.x 3/4"L. gr.5)	Bolt (1/4" N.F.x 3/4"L. gr.5)	8
15	699 8007 00	Rondelle de sûreté (1/4")	Lockwasher (1/4")	8
16	600 6019 00	Ecrou (1/4" N.F.)	Nut (1/4" N.F.)	8
17	699 9002 00	Rondelle (1/4"x 9/16"x .048")	Flatwasher (1/4"x9/16"x .048")	1
18	398 2019 00	Ecrou (1/4" N.F.)	Nut (1/4" N.F.)	2
19	300 9001 00	Boulon (1/4" N.F.x 3/4"L. gr.5)	Bolt (1/4" N.F.x 3/4"L. gr.5)	2
20	300 8057 00	Boulon (5/16" N.F.x 4 1/2"L. gr.5)	Bolt (5/16" N.F.x 4 1/2"L. gr.5)	2
21	300 8202 00	Ecrou (5/16" N.F.)	Nut (5/16" N.F.)	1
22	605 4084 00	Boulon (3/8" N.F.x 1 1/4"L. gr.8)	Bolt (3/8" N.F.x 1 1/4"L. gr.8)	1
23	391 0025 00	Rondelle (13/32"x 13/16"x .060")	Flatwasher (13/32"x 13/16"x.060")	1
24	398 2024 00	Ecrou (3/8" N.F.)	Nut (3/8" N.F.)	2
25	305 3001 00	Boulon (1/4" N.C.x 3/4"L. gr.5)	Bolt (1/4" N.C.x 3/4"L. gr.5)	2
26	699 8007 00	Rondelle de sûreté (1/4")	Lockwasher (1/4")	2
27	695 2000 00	Boulon(1/4" N.F.x 1/2"L gr.5)	Bolt (1/4" N.F.x 1/2"L. gr.5)	2
28	697 2019 00	Ecrou (1/4" N.F.)	Nut (1/4" N.F.)	2

Due to some minor technical problems when making this manual, some pages are OUT OF SEQUENCE, you will have to keep that in mind when using the index

www.forumsforums.com/snowtrac.htm.
Special thanks to Bill "mntopper" for use of this manual

BOMBI 1

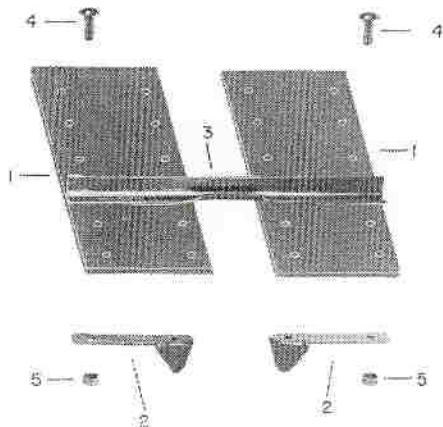
EMBRAYAGE

NO. REF.	NO. PIECE	DESCRIPTION	QTE PAR VEHICULE
REF. NO.	PART NO.		QTY PER VEHICLE
1	609 0121 00	Pédale d'embrayage	1
2	101 3003 00	Couvre-pédale	1
3	399 3016 00	Rondelle (5/16")	1
4	305 2044 00	Boulon (5/16" N.F. x 1 1/4" Gr.5)	1
5	399 8012 00	Rondelle de sûreté (5/16")	1
6	396 2022 00	Ecrou (5/16" N.F.)	1
7	114 0446 00	Ressort	1
8	660 9015 00	Câble d'embrayage	1
9	609 0127 00	Tige	1
10	391 3021 00	Sondelle (9/32" x 5/8" x .060")	1
11	371 8012 00	Goupille (1/16" x 3/4" Long)	1
12	122 0097 00	Disque de commande d'embrayage	1
13	122 0098 00	Couvercle d'embrayage & plateau de pression (complet)	1
14	122 0099 00	Roulement	1
15	607 0225 00	Tige	1
16	114 0007 00	Fourche	1
17	380 6019 00	Ecrou (1/2" N.F.)	1
18	414 0363 00	Protecteur	1
19	300 9001 00	Boulon (1/2" N.F. x 3/4" Gr.5)	2
20	391 3021 00	Rondelle (9/32" x 5/8" x .060")	2
21	399 8007 00	Rondelle de sûreté (1/2")	2
22	114 0102 00	Cheville d'attache	1
23	371 8012 00	Goupille (1/16" x 3/4" L.)	1
		Pédal-clutch	1
		Pad-clutch pedal	1
		Flatwasher (5/16")	1
		Bolt (5/16" N.F. x 1 1/4" Gr.5)	1
		Lockwasher (5/16")	1
		Nut (5/16" N.F.)	1
		Spring-clutch release	1
		Ass'y-clutch release cable	1
		Rod	1
		Flatwasher (9/32" x 5/8" x .060")	1
		Pin-cotter (1/16" x 3/4" Long B.P.)	1
		Ass'y-clutch disc	1
		Ass'y-clutch cover & pressure plate	1
		Bearing-clutch release	1
		Shaft-cross	1
		Yoke-clevis	1
		Nut (1/2" N.F.)	1
		Grommet	1
		Screw-hex cap (1/2" N.F. x 3/4" Gr.5)	2
		Flatwasher (9/32" x 5/8" x .060")	2
		Lockwasher (1/2")	2
		Pin-clevis	1
		Pin-cotter (1/16" x 3/4" L.)	1

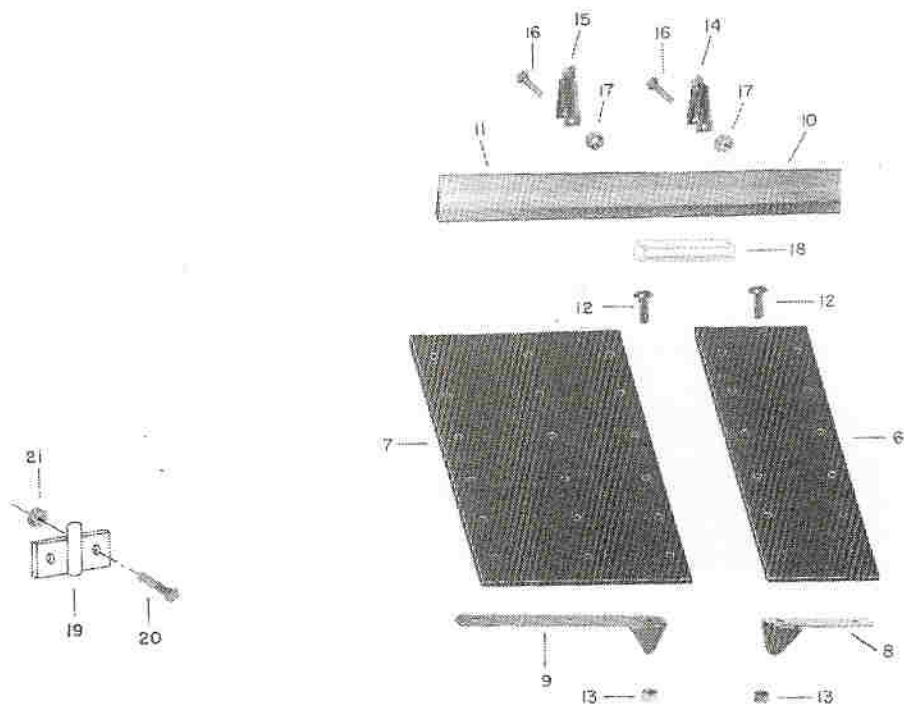
www.forumsforums.com/snowtrac.htm.
Special thanks to Bill 'mntopper' for use of this manual

Due to some minor technical problems when making this manual,
some pages are OUT OF SEQUENCE,
you will have to keep that in mind when using the index

www.forumsforums.com/snowtrac.htm
 Special thanks to Bill 'mntopper' for use of this manual



STANDARD TRACK
 CHENILLE REGULIERE



OPTIONAL TRACK
 CHENILLE FACULTATIVE

Due to some minor technical problems when making this manual,
 some pages are OUT OF SEQUENCE,
 you will have to keep that in mind when using the index

NO. REF.
P.F. NO.

NO. PIECE
PART NO.

NO. REF. P.F. NO.	NO. PIECE PART NO.	DESCRIPTION	QTY PER VEHICLE
1	610 0196 00	Pédale de l'accélérateur	1
2	102 6074 00	Ressort (accélérateur)	1
3	111 0468 00	Câble d'accélérateur	1
4	111 0473 00	Pivot	1
5	111 0837 00	Câble d'étrangleur (complet)	1
6	126 0039 00	Pédale de l'accélérateur	1
7	399 3021 00	Rondelle (9/32"x5/8"x.060")	2
8	303 9001 00	Boulon (1/2" N.F. x 1/2" Gr.5)	2
9	399 8007 00	Rondelle de sûreté (1/2")	2
0	389 6019 00	Ecrou (1/2" N.F.)	2
1	111 0071 00	Collier (câble)	2
2	102 9081 00	Boulon (3/8" N.F. x 1/2" Gr.5)	1
3	389 6120 00	Ecrou (3/8" N.F.)	1
4	111 0174 00	Support	1
5	111 0194 00	Tige	1
6	399 3021 00	Rondelle (9/32"x 5/8"x .060")	1
7	371 8002 00	Goupille (3/32" x 1/2" Long)	1
8	111 0880 00	Fourche d'attache (avec cheville & goupille)	1
9	000 0225 00	Tige	1
10	000 3042 00	Boulon (5/16" N.C. x 1/2" L. Gr.5)	2
11	399 8012 00	Rondelle de sûreté (5/16")	2

DESCRIPTION	QTY PER VEHICLE
Pedal-throttle	1
Spring-throttle release	1
Cable-throttle	1
Swivel-throttle	1
Ass'y-hand choke cable	1
Pedal-throttle	1
Flatwasher (9/32"x 5/8"x .060")	2
Bolt (1/2" N.F. x 1/2" Gr.5 B.P.)	2
Lockwasher (1/2")	2
Nut (1/2" N.F.)	2
Clamp (throttle cable)	1
Screw-hex cap (clamp) (3/8" x 1/2" Gr.5 B.P.)	1
Nut-elastic stop (clamp) (3/8" N.F.)	1
Bracket-accelerator	1
Rod-accelerator lever	1
Flatwasher (9/32"x 5/8"x .060")	1
Pin-cotter (3/32" x 1/2" Long)	1
Yoke-clevis (C/W pin & cotter pin)	1
Shaft-cross	1
Bolt (5/16" N.C. x 1/2" L. Gr.5)	2
Lockwasher (5/16")	2

Due to some minor technical problems when making this manual, some pages are OUT OF SEQUENCE, you will have to keep that in mind when using the index

www.forumsforums.com/snowtrac.htm.
Special thanks to Bill 'mntopper' for use of this manual

BOMBI 1

QTE PAR VEHICULE
QTY PER VEHICLE

NO. REF.
P.F. NO.

NO. PIECE
PART NO.

NO. REF. P.F. NO.	NO. PIECE PART NO.	DESCRIPTION	QTE PAR VEHICULE QTY PER VEHICLE
1	103 0151 00	Arbre de commande(complet)	1
2	660 4097 00	Pourche	1
3	103 0054 00	Anneau fermoir	8
4	103 0093 00	Ensemble pivot & roulement(avec anneau fermoir & graisseur à pression)	2
5	103 0008 00	Contre-fourche	1
6	408 0001 00	Graisseur à pression	2
7	301 0085 00	Boulon (3/8"N.F. x 1 1/2" Gr.8)	4
8	399 0011 00	Rondelle de sûreté (3/8")	4
9	300 7024 00	Ecreu (3/8"N.F.)	4
		Ass'y-propeller shaft	
		Yoke-sleeve	
		Ring-snap	
		Kit-journal & bearing (with snap ring) & grease-fitting)	
		Flange-yoke	
		Fitting-grease	
		Screw-hex cap (3/8"N.F. x 1 1/2" Gr.8)	
		Lockwasher (3/8")	
		Nut-hex (3/8"N.F.)	

Due to some minor technical problems when making this manual, some pages are OUT OF SEQUENCE, you will have to keep that in mind when using the index

www.forumsforums.com/snowtrac.htm.
Special thanks to Bill 'mnttopper' for use of this manual

G. REF.
REF. NO.NO. PIECE
PART NO.

DESCRIPTION

1	570 1257 00	Amortisseur
2	391 0025 00	Rondelle (13/32"x 13/16"x .060")
3	398 3024 00	Ecrou (3/8" N.C.)
4	612 0314 00	Aspirateur d'air chaud
5	612 0244 00	Réducteur
6	670 3402 00	Amortisseur (boîte de vitesse)
7	004 3209 00	Bague d'espacement
8	222 0096 00	Moteur (sans boîte de vitesse)
9	661 2058 00	Carter (bac) d'huile
10	612 0321 00	Support du moteur (droits)
10	612 0320 00	Support du moteur (gauche)
11	612 2023 00	Gicleur (7000 pi. & plus d'altitude)
12	006 0003 00	Bouchon de vidange
13	007 2037 00	Boyaux (multiple de 12")
14	008 8024 00	Collier de boyau
15	112 0175 00	Bague d'espacement
16	222 2032 00	Démarrreur
17	222 2006 00	Eventail

2	Mount-rubber
4	Flatwasher (13/32"x B/16"x .060")
4	Nut-elastic stop (5/8" N.C.)
1	Aspirator-hot
1	Reducer-adapter
1	Insulator-transmission
1	Spacer-transmission
1	Engine (w/o transmission)
1	Pan-oil
1	Bracket-R.H. engine support
1	Bracket-L.H. engine support
1	Jet-carburator (altitude 7000 ft. & up)
1	Cock-oil pan drain
1	Hose-paragas (drain) (Multiple 12")
1	Clamp-worm gear hose
1	Spacer-fan
1	Starter (12 volt)
1	Fan-pusher

18	661 2099 00	Poulie (vilebrequin)
----	-------------	----------------------

Pulley--crankshaft

20	112 0173 00	Support (bobine)
21	222 2035 00	Bouton (boîte à vitesse)
22	222 0095 00	Boîte de vitesse (seulement)
23	222 2005 00	Joint d'étanchéité
24	114 0943 00	Filtre
25	005 3042 00	Boulon (5/16"N.C. x 1/2" Gr.5)
26	399 8012 00	Rondelle de sûreté (5/16")
27	008 8019 00	Collier de boyau
28	420 8408 20	Goujon fileté (M12 x 50)
29	228 5210 15	Ecrou (M12 x 1.75)
30	112 0225 00	Support (filtre)
31	114 1082 00	Epurateur d'air
32	114 1084 00	Bande
33	390 9081 00	Boulon (3/8"N.F. x 1/2" Gr.5)
34	399 8011 00	Rondelle de sûreté (3/8")
35	880 7024 00	Ecrou (3/8"N.F.)
36	570 1326 00	Coude 90° (caoutchouc)
37	114 1234 00	Noyau du filtre
38	107 6002 00	Boyaux (multiple de 12")
39	108 8001 00	Collier de serrage
40	305 3042 00	Boulon (5/16" N.C. x 3/4"L. gr.5)
41	399 8012 00	Rondelle de sûreté (5/16")
42	396 3022 00	Ecrou (5/16" N.C.)
43	612 0315 00	Plaque (chaleur)
44	612 0350 00	Rallonge (avec système hydraulique)

1	Bracket-coil
1	Knob-shifter (trans.)
1	Transmission (only)
1	Set-oil pan gasket
1	Filter-gas
1	Bolt (5/16"N.C. x 1/2" Gr.5)
1	Lockwasher (5/16")
1	Clamp-worm gear hose
1	Stud (trans. to engine (M12 x 50)
1	Nut-elastic stop (trans. to engine (M12 x 1.75)
1	Support-air filter
1	Cleaner-air
1	Band-mounting
1	Screw (3/8"N.F. x 1/2" Gr.5 B.P.)
2	Lockwasher (3/8")
2	Nut (3/8"N.F.)
1	Elbow 90° (rubber)
1	Element-air cleaner
1	Hose (multiple 12")
2	Clamp-worm gear hose
4	Screw (5/16" N.C. x 3/4"L. gr.5)
4	Lockwasher (5/16")
4	Nut (5/16" N.C.)
1	Shield-heat
1	Extension (with hydraulic system)

Special thanks to Bill 'mntopper' for use of this manual

Due to some minor technical problems when making this manual,
some pages are OUT OF SEQUENCE,
you will have to keep that in mind when using the index

QTE PAR VEHICULE
QTY PER VEHICILE

DESCRIPTION

REF. NO. PIECE
P. NO. PART NO.

1	613	0234	00
2	110	0026	00
3	110	0008	00
4	320	0062	00
5	613	0235	00
6	008	0023	00
7	008	0005	00
8	007	0016	00
9	007	0013	00
10	368	1103	00
11	114	0773	00
12	114	0010	00
13	114	3372	00

1	Tank-fuel
1	Gauge-fuel tank
1	Gasket
5	Screw-machine (#10 N.F.x 5/8"L.)
1	Pipe-suction
1	Fitting
2	Clamp-worm gear hose
A.B.	Line-fuel (multiple 12")
A.B.	Moulding (multiple 12")
12	Screw-sheet metal (#10x 1/2"L.)
1	Grommet
A.B.	Cap-fuel tank
A.B.	Hose-impulse (multiple 12")

Réservoir a carburant
Jauge
Joint d'étanchéité
Boulon (#10 N.F.x 5/8"L.)
Tuyau d'aspiration
Raccord
Collier de boyau
Boyau a carburant (multiple de 12")
Moulure de caoutchouc (multiple de 12")
Boulon (#10x 1/2"L.)
Protecteur
Bouchon
Boyau (multiple de 12")

www.forumsforums.com/snowtrac.htm.
Thanks to Bill 'mntopper' for use of this manual

Due to some minor technical problems when making this manual,
some pages are OUT OF SEQUENCE,
you will have to keep that in mind when using the index

DESCRIPTION

QTE PAR VEHICULE
QTY PER VEHICLE

NO. REF. REF. NO.	NO. PIECE PART NO.	DESCRIPTION	QTE PAR VEHICULE QTY PER VEHICLE
1	614 0080 00	Tuyau de sortie	1
2	108 8043 00	Collier de serrage	2
3	114 701 00	Silencieux	1
4	614 0146 00	Tuyau d'échappement	1
5	661 4024 00	Protecteur (silencieux)	1
6	614 0249 00	Pièce de retenue	1
7	301 3000 00	Boulon (1/4" N.C.x 1/2"L. gr.5)	3
8	391 3019 00	Ecrou (1/4" N.C.)	3
9	301 3001 00	Boulon (1/4" N.C.x 3/4"L. gr.5)	3
10	391 8007 00	Rondelle de sûreté (1/4")	5
11	661 4088 00	Boulon (3/8" N.F.x 2 1/4"L. gr.8)	3
12	614 0124 00	Support	3
13	614 0234 00	Support (silencieux)	3
14	614 0124 00	Support	3
15	614 0130 00	Rondelle	3
16	614 0204 00	Ecrou (3/8" N.F.)	3
17	614 0840 10	Goujon fileté	3
18	614 4009 00	Disque de retenue	1
19	614 0015 05	Ecrou	1
20	614 0945 53	Rondelle de sûreté	2
21	614 0252 00	Protecteur	2
22	301 9001 00	Boulon (1/4" N.F.x 3/4"L. gr.5)	3
23	391 2019 00	Ecrou (1/4" N.F.)	3
24	614 0067 00	Douille	3
25	301 3001 00	Boulon (1/4" N.C.x 3/4"L. gr.5)	3
26	391 3019 00	Ecrou (1/4" N.C.)	3

Pipe-muffler tail
Clamp-muffler
Muffler
Pipe-exhaust
Cage-muffler
Retainer
Screw (1/4" N.C.x 1/2"L. gr.5 B.P.)
Nut-elastic stop (1/4" N.C.)
Screw (1/4" N.C.x 3/4"L. gr.5)
Lockwasher (1/4")
Screw (3/8" N.F.x 2 1/4"L. gr.8)
Support
Support (muffler)
Support
Washer
Nut-elastic stop (3/8" N.F.)
Stud
Flange
Nut
Lockwasher
Guard
Screw (1/4" N.F.x 3/4"L. gr.5 B.P.)
Nut (1/4" N.F.)
Bushing
Screw (1/4" N.C.x 3/4"L. gr.5)
Nut-elastic stop (1/4" N.C.)

Due to some minor technical problems when making this manual, some pages are OUT OF SEQUENCE, you will have to keep that in mind when using the index

www.forumsforums.com/snowtrac.htm.
Special thanks to Bill Maltrop for use of this manual

NO. REF. NO. PIECE
REF. NO. PART NO.

DESCRIPTION

QTE PAR VEH
QTY PER VEH

-	109 4186 00	Faisceau de fils électriques (lumière avant)	Ass'y-wiring harness (front light)	1
-	109 4185 00	Faisceau de fils électriques (tableau de bord)	Ass'y-wiring harness (dash)	1
-	109 4184 00	Faisceau de fils électriques (moteur)	Ass'y-wiring harness (engine)	1
-	109 4167 00	Faisceau de fils électriques (essuie-glace)	Ass'y-wiring harness (wiper)	1
-	109 5003 00	Câble de batterie (négatif) (19" de long)	Cable-battery (negative) (19" long)	1
-	109 5002 00	Câble de batterie (positif) (27" de long)	Cable-battery (positive) (27" long)	1

Due to some minor technical problems when making this manual,
some pages are OUT OF SEQUENCE,
you will have to keep that in mind when using the index

www.forumsforums.com/snowtrac.htm.
Special thanks to Bill 'mntopper' for use of this manual

G. REF. NO. PIECE
 REF. NO. PART NO.

DESCRIPTION

QTE PAR VEHICULE
 QTY PER VEHICLE

G. REF. NO.	PIECE	DESCRIPTION	QTE PAR VEHICULE
1	670 1502 00	Amortisseur (batterie)	1
2	110 0002 00	Batterie	1
3	615 0241 00	Support de batterie	1
4	615 0240 00	Crochet (batterie)	2
5	386 4019 00	Ecrou à ailettes (1/4" N.C.)	2
6	399 8007 00	Rondelle de sûreté (1/4")	1
7	110 0047 00	Dispositif de prise de température (moteur)	1
8	110 1028 00	Interrupteur d'allumage	1
9	100 0029 00	Compte-heures	1
10	110 0045 00	Indicateur de température	1
11	110 0044 00	Indicateur de niveau d'essence	1
12	110 8040 00	Porte-fusible	1
13	655 0108 00	Cavalier	1
14	100 9901 00	Interrupteur	1
15	100 9057 00	Interrupteur (essuie-glace)	1
16	100 4022 00	Rivet	1
17	100 9907 00	Fusible	1
18	100 1036 00	Commutateur de la chauffe-rette	1
19	395 5003 00	Câble de batterie (négatif) (19"L.)	1
20	395 5002 00	Câble de batterie (positif) (27"L.)	1
21	570 1773 00	Protecteur	1
22	100 50242 00	Support (câble positif)	1
23	615 0071 00	Collier	1
24	110 6035 00	Lampe-témoin	1
25	110 1026 00	Commutateur (lumière)	1
26	110 20146 00	Alternateur (60 A.)	1
27	110 9049 00	Prise de courant	1
28	110 1001 00	Ampoule	1
29	110 1038 00	Commutateur de l'essuie-glace	1
30	110 6075 00	Ampoule	1
31	661 3053 00	Lampe-témoin (ampèremètre)	1
32	661 2079 00	Support (alternateur)	1
33	300 9138 00	Boulon (7/16" N.F.x 4 3/4" L. gr.5)	1
34	399 2026 00	Ecrou (7/16" N.F.)	1
35	611 0249 00	Support	1
36	100 9005 00	Protecteur	2
37	300 2000 00	Boulon (1/4" N.F.x 1/2" L. gr.5)	2
38	398 2019 00	Ecrou (1/4" N.F.)	2
39	612 0198 00	Bras (ajustement)	1
40	301 2083 00	Boulon (3/8" N.C.x 1" L. gr.5)	1
		Insulateur-shock (batterie)	1
		Batterie	1
		Bracket-battery	1
		Hook-battery	1
		Nut-wing (1/4" N.C.)	2
		Lockwasher (1/4")	2
		Sender-water temperature (engine)	1
		Switch-ignition	1
		Meter-hours	1
		Gauge-temperature (water)	1
		Gauge-fuel	1
		Block-fuse	1
		Jumper-fuse block	1
		Breaker-circuit	1
		Breaker-circuit (wiper)	1
		Rivet-pop	1
		Fuse	1
		Switch-heater	1
		Cable-battery (negative) (19"L.)	1
		Cable-battery (positive) (27"L.)	1
		Grommet	1
		Bracket-clip (positive cable)	1
		Clamp	1
		Screw (3/8" N.F.x 3/4" L. gr.5 B.P.)	1
		Light-pilot	1
		Switch-light	1
		Alternator (60 A.)	1
		Socket	1
		Bulb	1
		Switch-wiper	1
		Bulb	1
		Light-pilot (ammeter)	1
		Bracket-alternator	1
		Bolt (7/16" N.F.x 4 3/4" L. gr.5)	1
		Nut-elastic stop (7/16" N.F.)	1
		Support-regulator	1
		Grommet	1
		Screw (1/4" N.F.x 1/2" L. gr.5)	2
		Nut-elastic stop (1/4" N.F.)	2
		Arm-alternator adjuster	1
		Screw (3/8" N.C.x 1" L. gr.5)	1

Due to some minor technical problems when making this manual
 some pages are OUT OF SEQUENCE.
 you will have to keep that in mind when using the index

Special thanks to Bill 'mnttopper' for use of this manual

NO. REF. NO. PIECE
REF. NO. PART NO.

DESCRIPTION

NO. REF.	NO. PIECE	DESCRIPTION	QTE PAR VEHICULE
41	391 0025 00	Rondelle (13/32" x 13/16" x .060")	1
42	391 8011 00	Rondelle de sûreté (3/8")	1
43	122 0045 00	Régulateur de voltage	1
44	391 8023 00	Rondelle de sûreté (3/16")	2
45	382 5013 00	Ecrrou (#10 N.F.)	2
46	116 6062 00	Lampe-témoin (rouge)	3
47	61 2012 00	Défecteur	1
49	116 6074 00	Lumière (tableau de bord)	1
50	391 2060 00	Support (alternateur 28 A.)	1
51	391 2042 00	Alternateur (28 A.)	1
52	410 5010 00	Ampoule	3

Flatwasher (13/32" x 13/16" x .060")	1
Lockwasher (3/8")	1
Regulator-voltage	1
Lockwasher (3/16")	2
Nut (#10 N.F.)	2
Light-idiot (red)	3
Deflector-heat	1
Lamp-dash	1
Bracket-alternator (28 A.)	1
Alternator (28 A.)	1
Bulb	3

Due to some minor technical problems when making this manual, some pages are OUT OF SEQUENCE, you will have to keep that in mind when using the index

Special thanks to Bill 'mntopper' for use of this manual

www.forumsforums.com/snowtrac.htm.

REF. NO. PIECE NO. PART NO.

DESCRIPTION

QTE PAR VEHICULE QTY PER VEHICLE

REF. NO.	PIECE NO.	PART NO.	DESCRIPTION	QTE PAR VEHICULE	QTY PER VEHICLE
1	110	6071	Lumière arrière	2	
2	363	3193	Boulon (#10x 1/2"L.)	6	
3	110	6038	Lumière intérieure	1	
4	365	0602	Boulon (#10x 3/8"L.)	3	
5	580	2071	Réfecteur	2	
6	110	6067	Phare	2	
7	593	3263	Boulon (#10 N.F.x 3/4"L.)	8	
8	211	3917	Rondelle (7/32"x 1/2"x .060" gr.2)	8	
9	58	2113	Ecrou (#10 N.F.)	8	
10	110	6074	Moteur d'essuie-glace	1	
11	110	6075	Bras	1	
12	110	6073	Lame d'essuie-glace	1	
13	110	6076	Bras(essuie-glace)	1	
14	110	6075	Essieu porteur de l'essuie-glace (complet)	1	
15	110	6042	Boulon (5/16" N.C.x 3/4"L. gr.5)	2	
16	110	6023	Rondelle (11/32"x 11/16"x .060" gr.2)	2	
17	110	6082	Rondelle de sûreté (5/16")	2	
18	110	6027	Douille	1	

Light-tail
Screw-sheet metal (#10x 1/2"L.)
Ass'y-dome lamp
Bolt (#10x 3/8"L. B.P)
Reflector
Beam-sealed
Screw-machine(#10 N.F.x 3/4"L. B.P.)
Flatwasher(7/32"x1/2"x.060" gr.2)
Nut-elastic stop (#10 N.F.)
Motor-wiper
Arm-crank
Blade-wiper
Arm-wiper
Ass'y-wiper pivot shaft
Screw (5/16" N.C.x 3/4"L. gr.5)
Flatwasher (11/32"x 11/16"x .060" gr.2)
Lockwasher (5/16")
Bushing

www.forums.com/snowtrac.htm.
Special thanks to Bill 'mntopper' for use of this manual

Due to some minor technical problems when making this manual, some pages are OUT OF SEQUENCE, you will have to keep that in mind when using the index

QTY. REF. NO. PIECE
REF. NO. PART NO.

DESCRIPTION

QTY PAR VEHICULE
QTY PER VEHICLE

QTY.	REF. NO.	PIECE	REF. NO.	PART NO.	DESCRIPTION	QTY PAR VEHICULE	QTY PER VEHICLE
1	616	0297 00			Grille	1	
2	114	0546 00			Attache	1	
3	323	0061 00			Boulon (# 10 N.F.x 1/2"L.)	3	
4	391	0117 00			Rondelle (7/32"x 1/2"x .060" gr.2)	3	
5	398	0113 00			Ecrou (#10 N.F.)	3	
6	008	0009 00			Collier de serrage	2	
7	007	0002 00			Boyaux de dégivreur (multiple de 12")	2	
8	008	0001 00			Collier de serrage	4	A.R.
9	048	0040 01			Amortisseur	4	
10	391	0017 00			Rondelle (7/32"x 1/2"x .060" gr.2)	4	
11	399	0019 00			Ecrou (1/4" N.C.)	4	
12	000	0162 00			Ressort	4	
13	000	0001 00			Boyaux de chaufferette (multiple de 12")	8	
14	000	0024 00			Collier de serrage	1	
15	000	0014 00			Coude	1	
16	000	0295 00			Plaque	1	
17	000	0006 00			Boyaux (multiple de 12")	1	A.R.
18	000	0850 00			Radiateur (complet) (avec bouchon)	1	
19	000	0008 00			Bouchon du radiateur (14 LBS.)	1	
20	000	0138 00			Enveloppe (radiateur)	1	
21	000	0001 00			Boulon (1/4" N.C.x 3/4"L. gr.5)	4	
22	391	0007 00			Rondelle de sûreté (1/4")	4	
23	391	0021 00			Rondelle (9/32"x 5/8"x .060")	4	
24	000	0019 00			Bouchon de vidange	4	
25	000	0372 00			Boyaux de vidange (multiple de 12")	4	
26	000	0021 00			Boyaux du radiateur (bas)	1	
27	000	0034 00			Boyaux du radiateur (haut)	1	
28	000	0007 00			Collier de boyau	4	
29	000	0047 00			Attache	1	
30	000	0303 00			Chauffe-moteur (600 watts) (facultatif)	1	
31	000	0152 00			Attache	1	
32	000	0003 00			Chaufferette (complète)	1	
33	000	0293 00			Support	1	
34	000	0129 00			Chaufferette	1	
35	000	0299 00			Distributeur d'air chaud	1	
36	000	0016 00			Rivet	1	
37	000	0001 00			Moulture de caoutchouc (multiple de 12")	1	
38	000	0001 00			Ventilateur (complet)	1	
39	000	0259 00			Boitier du ventilateur	1	
40	000	0019 00			Moteur de la chaufferette	1	
41	000	0023 00			Rondelle (7/32"x 5/8"x .060")	2	
42	000	0013 00			Ecrou (#10 N.F.)	2	
43	000	0014 00			Rondelle de sûreté (3/16")	2	
44	000	0059 00			Ventilateur	1	
45	000	0022 00			Rivet	1	
46	000	0171 00			Matériel d'étanchéité (multiple de 12")	1	A.R.
47	000	0234 00			Renfort	1	
48	000	0349 00			Buse d'air	2	
49	000	0401 00			Rivet	2	
50	000	0025 00			Manchon fileté	4	

Do not use for technical problems when making this manual
 some pages are Out Of Stock
 you will have to keep that in mind when using the index

www.forumsforums.com/snowtrac.htm.
 Special thanks to Bill 'mntopper' for use of this manual

Nozzle
 Rivet-pop
 Nipple-half

BOMBARDIER INC.

SECTION 16/2

DESCRIPTION

NO. REF. NO. PIECE
REF. NO. PART NO.

45	114 0870 00	Coussin (dossier de siège)
46	321 7102 00	Boulon (1/4" N.C.x 3/4"L.)
47	611 2295 00	Capot arrière
48	111 0847 00	Poignée
49	321 1063 00	Boulon (#10 N.F.x 3/4"L.)
50	39 2113 00	Ecrou (#10 N.F.)
51	10 9082 00	Pare-chocs
52	67 1702 00	Câble d'arrêt
53	61 2347 00	Douille
54	301 7006 00	Boulon (1/4" N.P.x 1 3/4"L. gr.8)
55	99 3021 00	Rondelle (9/32"x 5/8"x .060" gr.2)
56	39 2019 00	Ecrou (1/4" N.F.)
57	11 1387 00	Caoutchouc (haut)
58	11 1388 00	Caoutchouc (côtés)
59	99 9017 00	Rivet
60	11 0073 00	Bouchon
61	11 0074 00	Boulon (bouchon de vidange)
62	11 1007 00	Rondelle d'arrêt
63	11 1006 00	Boulon de verrouillage
64	99 4041 00	Rivet
65	11 1008 00	Récepteur (pour fixer le tableau de bord)
66	99 2358 00	Tableau de bord
67	30 8041 00	Boulon (5/16" N.F.x 3/4"L. gr.5)
68	99 3024 00	Rondelle (13/32"x 1 1/4"x .100")
69	99 8012 00	Rondelle de sûreté (5/16")
70	36 7047 00	Crochet
71	11 0023 00	Support
72	10 6154 00	Boulon (1/2" N.F.x 1 1/2"L. gr.8)
73	99 0028 00	Rondelle de sûreté (1/2")
74	99 7028 00	Ecrou (1/2" N.F.)
75	11 1046 00	Cheville
76	11 0891 00	Boule d'attache
79	30 9001 00	Boulon (1/4" N.F.x 3/4"L. gr.5)
80	39 3017 00	Rondelle (7/32"x 1/2"x .060" gr.2)
81	38 6019 00	Ecrou (1/4" N.F.)

2	Cushion-backrest
16	Screw-machine (1/4" N.C.x 3/4"L. B.P.)
1	Cowling-rear
2	Handle
8	Screw-machine (#10 N.F.x 3/4"L.)
2	Nut-elastic stop (#10 N.F.)
2	Bumper-rubber
2	Retainer-door
2	Bushing
2	Screw (1/4" N.F.x 1 3/4"L. gr.8)
2	Flatwasher (9/32"x 5/8"x .060" gr.2)
2	Nut-elastic stop (1/4" N.F.)
1	Rubber-top
2	Rubber (sides)
9	Rivet-pop
1	Cap-drain plug
1	Screw-drain plug
2	Washer-retaining
2	Stud
4	Rivet-pop
2	Receptacle
1	Dash
5	Screw (5/16" N.F.x 3/4"L. gr.5)
5	Flatwasher (13/32"x 1 1/4"x .100")
5	Lockwasher (5/16")
5	Hook-pintle
1	Support
1	Screw (1/2" N.F.x 1 1/2" L. gr.8)
6	Lockwasher (1/2")
6	Nut (1/2" N.F.)
6	pin-lynch
1	Ball-coupler
4	Bolt (1/4" N.F.x 3/4"L. gr.5 B.P.)
4	Flatwasher (7/32"x 1/2"x .060" gr.2)
4	Nut-hex. (1/4" N.F.)

Due to some minor technical problems when making this manual, some pages are OUT OF SEQUENCE, you will have to keep that in mind when using the index

www.forumsforums.com/snowtrac.htm.
Special thanks to Bill mintopper for use of this manual

REF. NO. PIECE
NO. PART NO.

DESCRIPTION

QTE PAR VEHIC
QTY PER VEHIC

REF. NO.	PIECE NO.	DESCRIPTION	QTY PER VEHIC	A.R.
107	7013	00	Moulure de caoutchouc (multiple de 12")	
390	4023	00	Rivet	5
617	2311	00	Plaque	1
323	3003	00	Boulon (#10 N.F.x 3/4"L.)	12
114	0909	00	Penture (Jeu de 2)	12
391	3017	00	Rondelle (7/32"x 1/2"x.060" gr.2)	12
398	2133	00	Eccrou (#10 N.F.)	2
647	2335	00	Couvercle	2
398	3009	00	Eccrou (1/4" N.C.)	4
391	3011	00	Rondelle (9/32"x 5/8"x .060" gr.2)	4
398	3009	00	Eccrou (1/4" N.C.)	2
390	0044	00	Eccrou (1/4" N.F.)	2
647	2335	00	Verron	1
320	0033	00	Boulon (#10 N.F.x 3/4"L.)	2
647	2331	00	Guide	1
391	3017	00	Rondelle (7/32"x 1/2"x .060" gr.2)	2
398	2133	00	Eccrou (#10 N.F.)	2
390	0044	00	Boulon (#10 N.F.x 1"L.)	4
647	2332	00	Guide	1
641	0066	00	Verrou	1
617	2333	00	Tige	1
114	0909	00	Ressort	1
600	0019	00	Joint a rotule	1
390	0011	00	Boulon (#10 N.F.x 1/2"L.)	1
391	3017	00	Rondelle (7/32"x 1/2"x .060" gr.2)	1
647	2334	00	Plaque	1
641	0068	00	Cable	1
391	3017	00	Rondelle (7/32"x 1/2"x .060" gr.2)	1
398	2133	00	Eccrou (#10 N.F.)	4
647	2334	00	Attache	4
988	4133	00	Eccrou (#10 N.F.)	1
390	9043	00	Boulon (3/8" N.F.x 1"L gr.5)	4
390	9044	00	Boulon (3/8" N.F.x 1 1/4"L. gr.5)	2
394	2155	00	Boulon (#10x 3/4"L.)	2
391	3015	00	Rondelle (13/32"x 13/16"x .060" gr.2)	3
398	2144	00	Eccrou (3/8" N.F.)	6
321	7000	00	Boulon (#5 N.C.x 3/8"L.)	1
107	9005	00	Protecteur	1
617	2366	00	Tige	1
301	3004	00	Boulon (1/4" N.C.x 1 1/4"L. gr.5)	1
391	3021	00	Rondelle (9/32"x 5/8"x .060" gr.2)	1
107	7013	00	Moulure de caoutchouc (multiple de 12")	3

Due to some minor technical problems when making this manual, some pages are OUT OF SEQUENCE, you will have to keep that in mind when using the index.

www.forumsforums.com/snowtrac.htm.
Special thanks to Bill 'mnttopper' for use of this manual

Moulding (multiple 12")	
Rivet	5
Plate	1
Screw-machine (#10 N.F.x 3/4"L. B.P.)	12
Hinge (set of 2)	12
Flatwasher (7/32"x 1/2"x.060" gr.2)	12
Nut-elastic stop (#10 N.F.)	2
Cover	2
Nut-elastic stop (1/4" N.C.)	4
Flatwasher (9/32"x 5/8"x.060" gr.2)	4
Nut-elastic stop (1/4" N.C.)	2
Nut (1/4" N.F.)	2
Latch-hood	1
Screw-machine (#10 N.F.x 3/4"L.)	2
Guide	1
Flatwasher (7/32"x 1/2"x.060" gr.2)	2
Nut-elastic stop (#10 N.F.)	2
Screw-machine (#10 N.F.x 1"L. B.P.)	4
Guide-latch	1
Latch	1
Rod	1
Spring	1
Swivel-throttle	1
Screw-machine (#10 N.F.x 1/2"L. B.P.)	1
Flatwasher (7/32"x 1/2"x .060" gr.2)	1
Plate	1
Cable	1
Flatwasher (7/32"x 1/2"x .060" gr.2)	4
Nut-elastic stop (#10 N.F.)	4
Bracket	4
Nut-elastic stop (#10 N.F.)	1
Screw (3/8" N.F.x 1"L. gr.5 B.P.)	4
Screw (3/8" N.F.x 1 1/4"L. gr.5 B.P.)	2
Screw-sheet metal (#10x 3/4"L.)	3
Flatwasher (13/32"x 13/16"x.060" gr.2)	6
Nut-elastic stop (3/8" N.F.)	6
Screw-machine (#5 N.C.x 3/8"L.)	1
Grommet	1
Rod	1
Screw (1/4" N.C.x 1 1/4"L. gr.5 B.P.)	1
Flatwasher (9/32"x 5/8"x .060" gr.2)	3
Moulding (multiple 12")	3

A.R.

BOMBI 1

ARROSSERIE

DESCRIPTION

QTE PAR VEHICULE
QTY PER VEHICLE

O. REF. NO. PIECE
REF. NO. PART NO.

83	617	2275	00	Porte de secours
84	114	0171	00	Matériel d'étanchéité (multiple de 12")
85	107	7012	00	Moulure (multiple de 12")
86	518	0178	33	Verrou
87	540	0100	59	Verrou
88	320	1061	00	Boulon (#10 N.F.x 1/2"L.)
89	398	2113	00	Ecrou (#10 N.F.)
90	517	1237	00	Support
91	390	4021	00	Rivet
92	400	4066	00	Rivet
93	114	2092	00	Tige d'arrêt(PYRAMID)
94	114	2093	00	Bouton (PYRAMID)
95	114	0847	00	Poignée
96	114	1063	00	Boulon (#10 N.F.x 3/4"L.)
97	114	13017	00	Rondelle (7/32"x 1/2"x .060")
98	114	182113	00	Ecrou (#10 N.F.)

1	Roof-escape hatch
A.R.	Sealer(multiple 12")
A.R.	Doorlitter (multiple 12")
2	Latch-hook
2	Latch
4	Screw-machine (#10 N.F.x 1/2"L. B.P.)
4	Nut-elastic stop (#10 N.F.)
2	Bracket-latch
4	Rivet-pop
16	Rivet-pop
2	Bar-position lock(PYRAMID)
2	Knob-lock bar (PYRAMID)
1	Handle
4	Screw-machine (#10 N.F.x 3/4"L.)
4	Flatwasher (7/32"x 1/2"x .060")
4	Nut-hex. (#10 N.F.)

Due to some minor technical problems when making this manual, some pages are OUT OF SEQUENCE, you will have to keep that in mind when using the index

* NOTE: FOR BOMBI 1 VEHICLES FROM SERIAL NUMBER 20282 0001 TO 20282 0020 INCLUDED
** NOTE: FOR BOMBI 1 VEHICLES FROM SERIAL NUMBER 20283 0021 UP TO REVISION

NOTE: POUR LES VEHICULES BOMBI 1 A PARTIR DU NUMERO DE SERIE 20282 0001 A 20282 0020 INCLUSIVEMENT
* NOTE: POUR LES VEHICULES BOMBI 1 A PARTIR DU NUMERO DE SERIE 20283 0021 JUSQU'A REVISION

***NOTE: BOTH WEATHERSTRIP (CHANNEL & WEDGE) (HAVE THE SAME LENGTH FOR THE # 111 0058 00 & 111 0064 00 Windshield 152"L. FOR THE # 111 0059 00 & 111 0063 00 Rear glass 140"L.

www.forums.com no trac.htm
Special thanks to Bill 'mnttopper' for the of this manual

NO. RECE
PART NO.

DESCRIPTION:

QTE PAR VEHICULE
QTY PER VEHICLE

1	104 00	Cylindre (utilis� comme cylindre de lev�e & commande angulaire) (droite)	Ass'y-cylinder (use as updown & R.H. angler cylinder)	2
2	1005 00	Cylindre de commande angulaire (gauche)	Ass'y-L.H. angler cylinder	1
3	762 00	Boulon (3/4" N.F.x 4"L. gr.8)	Screw (3/4" N.F.x 4"L. gr.8 B.P.)	2
4	2235 00	Ecron (3/4" N.F.)	Nut (3/4" N.F.)	2
5	1122 00	Tige de piston (chrome)	Shaft (chrome)	3
6	1135 00	Chapeau de piston	Head-piston	3
7	1121 00	Douille	Bushing-guide	3
8	0019 00	Anneau de caoutchouc (3/4"x1"x 1/8")	"O" Ring (3/4"x 1"x 1/8")	3
9	0031 00	Joint torique (1 1/4"x 1 1/2"x 1/8")	"O" Ring (1 1/4"x 1 1/2"x 1/8")	3
10	006 00	Joint torique (2"x 1 3/4"x 1/8")	"O" Ring (2"x 1 3/4"x 1/8")	3
11	0063 00	Joint torique (5/8"x 1"x 3/16")	"O" Ring (5/8"x 1"x 3/16")	3
12	0064 00	Rondelle d'absorption	Ring-back-up	6
13	0047 00	Segment r�cleur	Ring-wiper	3
14	0021 00	Rondelle d'absorption	Ring-back-up	3
15	0087 00	Grattoir	Scraper	1
16	0029 00	Tige	Rod-blade hinge	2
17	0032 00	Goupille (1/8" dia.x 1"L.)	Pin-cotter (1/8" dia.x 1"L.)	4
18	0032 00	Ressort	Spring-blade	2
19	0028 00	Ecron (1/2" N.F.)	Nut (1/2" N.F.)	4
20	0089 00	Collier (ressort)	Holder-spring	2
21	0288 00	Support	Bracket-pivot & hinge	1
22	0035 00	Rondelle de s�ret� (3/4")	Lockwasher (3/4")	1
23	0058 00	Boulon (3/4" N.F.x 3"L. gr.8)	Bolt (3/4" N.F.x 3"L. gr.8 B.P.)	1
24	0009 00	Support de chasse-neige	Frame-pusher	1
25	0094 00	Boulon (3/8" N.F.x 3 3/4"L. gr.5)	Screw (3/8" N.F.x 3 3/4"L. gr.5)	8
26	0011 00	Rondelle de s�ret� (3/8")	Lockwasher (3/8")	8
27	0024 00	Ecron (3/8" N.F.)	Nut (3/8" N.F.)	2
28	0084 00	Boulon (3/8" N.F.x 1 1/4"L. gr.8)	Screw (3/8" N.F.x 1 1/4"L. gr.8)	4
29	0058 00	Boulon (1/2" N.F.x 2 1/2"L. gr.8)	Screw (1/2" N.F.x 2 1/2"L. gr.8 B.P.)	2
30	0028 00	Rondelle de s�ret� (1/2")	Lockwasher (1/2")	2
31	0028 00	Ecron (1/2" N.F.)	Nut (1/2" N.F.)	2
32	0085 00	Support	Support-blade	1
33	0068 00	Boulon (3/4" N.F.x 5 1/2"L. gr.8)	Screw (3/4" N.F.x 5 1/2"L. gr.8 B.P.)	2
34	0035 00	Ecron (3/4" N.F.)	Nut (3/4" N.F.)	2
35	0272 00	Chevillon (3/4" dia.x 3 5/8"L.)	Pin-cylinder (3/4" dia.x 3 5/8"L.)	1
36	0286 00	Chevillon (3/4" dia.x 5 3/8"L.)	Pin-cylinder (3/4" dia.x 5 3/8"L.)	1
37	0123 00	Goupille (1/4" dia.x 1 3/4"L.)	Pin-cotter (1/4" dia.x 1 3/4"L.)	4
38	0271 00	Chevillon (avec goupille)	Pin-angling (with cotter pin)	1
39	0062 00	Goupille (5/32" dia.x 1 1/4"L.)	pin-cotter (5/32" dia.x 1 1/4"L.)	1

Due to some minor technical problems when making this manual, some pages are OUT OF SEQUENCE. you will have to keep that in mind when using the index

Special thanks to Bill 'mnttopper' for use of this manual

www.farmforum.com/newtrac.htm

NO. REF. NO. PIECE BOMB. NO. PIECE HYDROCONTROL
REF. NO. BOMB. PART NO. HYDROCONTROL PART NO.

DESCRIPTION

NO.	REF.	NO. PIECE BOMB.	NO. PIECE HYDROCONTROL	DESCRIPTION	QTY PER VEHICLE
-	115 2007 00	HC-D2/4- 1 (100) L3A5	Valve (complète) (4 bobines)	Ass'y-control valve(4 spools)	1
1		-L1A1-L1A1-L3A5-U2	Cheville (ressort)	Pin-spring	4
2		6x20 DIN 1481	Plaque	Plate	8
3		69001/10	Support	Bearing	4
4		OR 119	Joint torique	Ring-"O" (gasket)	11
5		73005/1	Bâti (valve)	Body-valve	1
6		69001/6	Appui	Seat-spacer	8
7		69001/9	Ressort (retour)	Spring-return	6
8		69001/8	Rondelle	Washer	2
9		M5x 15 UNI 6107	Boulon	Screw	12
10		69001/5	Chapeau	Cap	4
11		M8	Poignée (plastique)	Knob-plastic	4
12		69001/2	Levier (avec tige)	Lever (with rod)	4
13		6x16 DIN 1481	Cheville (ressort)	Pin-spring	8
14		69001/4	Bobine	Spool	2
15		69001/11	Bouchon	Plug-check valve	1
16		14x 17x 1,5	Joint d'étanchéité (cuivre)	Gasket-copper	2
17		69001/13	Ressort	Spring-check valve	1
18		69001/14	Soupape de retenue	Valve-check	1
19		69001/15	Bâti	Body-relief valve	1
20		69001/16	Piston (petit)	Piston (small)	1
21		69001/17	Appui (ressort)	Seat-relief valve spring	1
22		69001/3	Ressort	Spring-relief valve	1
23		69001/19	Bouchon	Plug-relief valve adjusting valve	1
24		69001/20	Vis d'ajustement	Register-relief valve	1
25		10x 14x 1,5	Joint d'étanchéité (alum.)	Gasket-aluminium	1
26		71006	Bouchon	Plug-relief valve register	1
27		69001/9	Bobine (position flottante)	Spool-float	2
28		69008/8	Bague d'espacement	Spacer	2
29		69008/2	Chapeau	Cap	2
30		69008/7	Tige guide	Shank	2
31		ONE-EIGHT	Bille	Ball	8
32		69008/6	Porte-bille	Holder-ball	8
33		69008/5	Presse-bille	Presser-ball	2
34		69008/3	Rondelle	Washer	2
35		69009/1	Anneau fermeoir	Ring-retaining	2

Special thanks to Bill 'mntopper' for use of this manual

Due to some minor technical problems when making this manual, some pages are OUT OF SEQUENCE, you will have to keep that in mind when using the index

* CES PIECES NE SE VENDENT PAS SEPARATEMENT * THOSE PARTS ARE NOT SOLD SEPARATELY

QTE PAR VEHICULE
QTY PER VEHICLE
AVANT
FRONT
ARRIERE
REAR

DESCRIPTION

Réservoir hydraulique
Filtre (huile)
Coude 90°
Boyau à H.P. (muni de raccords)
(3/8" dia.x 50" de long)
Raccord
Adaptateur
Boyau à B.P. (muni de raccords)
(5/8" dia.x 50" de long)
Pompe hydraulique
Coude 90°
Boyau à H.P. (muni de raccords)
(3/8" dia.x 76" de long)
Valve
Raccord
Raccord
Coude 90°
Boyau à H.P. (muni de raccords)
(1/4" dia.x 100" de long)
Coude 90°
Raccord
Bouchon anti-poussière
Bouchon anti-poussière
Boyau à H.P. (muni de raccords)
(1/4" dia.x 90" de long)

Tank-hydraulic
Filter-oil
Elbow 90°
Hose-H.P. (with fittings)
(3/8" dia.x 50" Long)
Connector
Adaptor
Hose-L.P. (with fittings)
(5/8" dia.x 50" Long)
Pump-hydraulic
Elbow 90°
Hose-H.P. (with fittings)
(3/8" dia.x 76" Long)
Valve-control
Connector
Connector
Elbow 90°
Hose-H.P. (with fittings)
(1/4" dia.x 100" Long)
Elbow 90°
Elbow 90°
Coupler-quick
Plug-dust
Cap-dust
Hose-H.P. (with fittings)
(1/4" dia.x 90" Long)

REF. NO. PIECE
NO. PART NO.

1 626 1576 00
2 115 3132 00
3 108 4004 00
4 626 1423 00
5 608 558 00
6 608 506 00
7 606 1881 00
8 608 4402 00
9 608 566 00
10 626 1622 00
1 608 2208 00
2 608 699 00
3 608 698 00
4 608 581 00
5 626 1624 00
6 608 584 00
7 608 540 00
8 608 513 00
9 608 918 00
10 608 919 00
11 626 1625 00

Due to some minor technical problems when making this manual,
some pages are OUT OF SEQUENCE,
you will have to keep that in mind when using the index

www.forumsforums.com/snowtrac.htm.
Special thanks to Bill 'mnttopper' for use of this manual

NO. REF. NO. PIECE
REF. NO. PART NO.

DESCRIPTION

QTE PAR VEHICULE
QTY PER VEHICLE

AVANT/ARRIERE AVEC/GRATTE
FRONT/REAR W/BLADE

1	626 1576 00	Réservoir hydraulique	Tank- hydraulic	1
2	11 3232 00	Filtre (huile)	Filter-oil	1
3	10 4004 00	Coude 90°	Elbow 90°	1
4	626 1623 00	Boyau à H.P. (muni de raccords) (3/8" dia.x 50" de long)	Hose-H.P. (with fittings) (3/8" dia.x 50" Long)	1
5	10 5458 00	Raccord	Connector	2
6	10 5406 00	Adapteur	Adaptor	2
7	62 1481 00	Boyau à B.P. (muni de raccords) (5/8" dia.x 50" de long)	Hose-L.P. (with fittings) (5/8" dia.x 50" Long)	1
8	11 4002 00	Pompe hydraulique	Pump-hydraulic	1
9	10 5066 00	Coude 90°	Elbow 90°	1
10	626 1622 00	Boyau à H.P. (muni de raccords) (3/8" dia. 76" de long)	Hose-H.P. (with fittings) (3/8" dia.x76" Long)	1
12	10 6199 00	Raccord	Raccord	5
13	10 6198 00	Raccord	Connector	4
14	10 5081 00	Coude 90°	Elbow 90°	8
15	10 2216 00	Boyau à H.P. (muni de raccords) (1/4" dia.x 100" de long)	Hose-H.P. (with fittings) (1/4" dia.x 100" Long)	4
16	10 5084 00	Coude 90°	Elbow 90°	8
17	10 5040 00	Coude 90°	Elbow 90°	4
18	10 5213 00	Raccord	Coupler-Quick	8
19	10 9018 00	Bouchon anti-poussière	Plug-dust	8
20	10 9019 00	Bouchon anti-poussière	Cap-dust	8
21	62 1625 00	Boyau à H.P. (muni de raccords) (1/4" dia.x 90" de long)	Hose-H.P. (with fittings) (1/4" dia.x 90" Long)	4
22	11 2007 00	Valve	Valve-control	1
23	10 0011 00	Bouchon	Plug	1
24	10 1224 00	Boyau à H.P. (muni de raccords) (3/8" dia.x 19" de long)	Hose-H.P. (with fittings) (3/8" dia.x 19" Long)	2
25	62 1142 00	Boyau à H.P. (muni de raccords) (3/8" dia.x 27" de long)	Hose-H.P. (with fittings) (3/8" dia. x 27" Long)	1
26	10 5173 00	Adapteur	Adaptor	3
27	10 4041 00	Coude 90°	Elbow 90°	3
28	11 1104 00	Cylindre	Cylinder	2
29	62 1225 00	Boyau à H.P. (muni de raccords) (3/8" x 17" de long)	Hose-H.P. (with fittings) (3/8" dia.x 17" Long)	1
30	10 5056 00	Coude 90°	Elbow 90°	2
31	11 0021 00	Valve	Valve-cushion	1
32	10 5117 00	Coude 90°	Elbow 90°	2
33	626 1231 00	Boyau à H.P. (muni de raccords) (3/8" dia.x 24" de long)	Hose-H.P. (with fittings) (3/8" dia.x 24" Long)	4
34	10 5072 00	Té	Te	2
35	626 1232 00	Boyau à H.P. (muni de raccords) (3/8" dia.x 9" de long)	Hose-H.P. (with fittings) (3/8" dia.x 9" Long)	2
36	114 1105 00	Cylindre	Cylinder	1

Due to some minor technical problems when making this manual some pages are OUT OF SEQUENCE, you will have to keep that in mind when using the index

www.forumsforums.com/snowtrac.htm.
Special thanks to Bill 'mnttopper' for use of this manual

QTE PAR VEHICULE
QTY PER VEHICLE

DESCRIPTION

REF. NO. PIECE
. NO. PART NO.

QTY	REF. NO. PIECE	DESCRIPTION	QTE PAR VEHICULE
1	626	Support (pompe)	1
2	301	Boulon (3/8" N.C.x 1 1/4"L. gr.5)	2
3	399	Rondelle de sûreté (3/8")	2
4	118	Pompe hydraulique	1
5	116	Support (pompe)	1
6	300	Boulon (3/8" N.F.x 1"L. gr.5)	4
7	398	Ecrou (3/8" N.F.)	4
8	117	Poulie (pompe)	1
9	119	Courroie	1
10	600	Cheville (courte)	1
11	414	Agrafe	2
12	525	Réservoir d'huile	1
13	300	Boulon (5/16" N.F.x 3/4"L. gr.5)	4
14	399	Rondelle de sûreté (5/16")	4
15	399	Ecrou (5/16" N.F.)	4
16	399	Filtre à l'huile	1
17	399	Noyau du filtre	1
18	399	Plaque	1
19	399	Boulon (1/4" N.F.x 3/4"L. gr.5)	1
20	399	Ecrou (1/4" N.F.)	1
21	399	Soupape d'amortissement (complète)	1
22	399	Boulon (5/16" N.F.x 2"L. gr.8)	2
23	399	Rondelle (11/32"x 11/16"x .060" gr.2)	2
24	399	Ecrou (5/16" N.F.)	2
25	399	Bouchon	1
26	399	Ensemble de rondelle d'étanchéité	1
27	399	Boulon	1
28	399	Ecrou (3/8" N.F.)	1
29	399	Valve	1
30	399	Valve	1
31	399	Protecteur	1
32	399	Boulon (1/4" N.F.x 2 1/4"L. gr.5)	3
33	399	Ecrou (1/4" N.F.)	3

Support (pompe)	1
Bolt (3/8" N.C.x 1 1/4"L. gr.5)	2
Lockwasher (3/8")	2
Pump-hydraulic	1
Bracket-pump	1
Bolt (3/8" N.F.x 1"L. gr.5)	4
Nut-elastic stop (3/8" N.F.)	4
Pulley-pump	1
Belt	1
Pin (short)	1
Clip-pin	2
Tank-hydraulic oil	1
Bolt (5/16" N.F.x 3/4"L. gr.5)	4
Lockwasher (5/16")	4
Nut (5/16" N.F.)	4
Filter-oil	1
Element-oil filter	1
Plate-connecting	2
Bolt (1/4" N.F.x 3/4"L. gr.5 B.P.)	8
Nut-elastic stop (1/4" N.F.)	8
Ass'y-Cushion valve	1
Bolt (5/16" N.F.x 2"L. gr.8 B.P.)	2
Flatwasher (11/32"x 11/16"x.060" gr.2)	2
Nut-elastic stop (5/16" N.F.)	2
Cap	1
Kit-seal pump	1
Screw	1
Nut-hex. (3/8" N.F.)	1
Valve-control (4 spools)	1
Valve-control (2 spools)	1
Grommet	1
Screw (1/4" N.F.x 2 1/4"L. gr.5)	3
Nut-elastic stop (1/4" N.F.)	3

Due to some minor technical problems when making this manual, some pages are OUT OF SEQUENCE. You will have to keep that in mind when using the index

www.forumsforums.com/snowtrac.htm.
Special thanks to Bill 'mnttopper' for use of this manual

NO. REF. NO. PIECE BOMB. NO. PIECE HYDROCONTROL. NO. REF. NO. BOMB. PART NO. HYDROCONTROL PART NO.

DESCRIPTION

QTE PAR VEHICULE QTY PER VEHICLE

	115 2008 00	HC-D2/2-EL(100)L3A5-L1A1-U1	Valve (complète) (2 bobines)	Ass'y-control valve (2 spools)	
1	6x20 DIN 1481		Cheville (ressort)	Pin-spring	2
2	69001/10		Plaque	Plate	4
3	69001/7		Support	Bearing	2
4	OR 119		Joint torique	Ring-"O" (gasket)	6
* 5	69033/1		Bâti (valve)	Body-valve	1
6	69001/6		Appui	Seat-spacer	4
7	69001/9		Ressort (retour)	Spring-return	3
8	69001/8		Rondelle	Washer	1
9	M5x15 UNI 6107		Boulon	Screw	7
10	69001/5		Chapeau	Cap	1
11	M8		Poignée (plastique)	Knob-plastic	2
12	69001/2		Levier (avec tige)	Lever (with rod)	2
13	6x16 DIN 1481		Cheville (ressort)	Pin-spring	4
14	69001/4		Bobine	Spool	1
15	69001/11		Bouchon	Plug-check valve	1
16	14x 17x 1,5		Joint d'étanchéité (cuivre)	Gasket (copper)	1
17	69001/13		Ressort	Spring-check valve	1
18	69001/14		Soupape de retenue	Valve-check	1
19	69001/15		Bâti	Body-relief valve	1
20	69001/16		Piston (petit)	Piston (small)	1
21	69001/17		Appui (ressort)	Seat-relief valve spring	1
22	69006/3		Ressort	Spring-relief valve	1
23	69001/19		Bouchon	Plug-relief valve adjusting valve	1
24	69001/20		Vis d'ajustement	Register-relief valve	1
25	10x 14x 1,5		Joint d'étanchéité (alum.)	Gasket-aluminium	1
26	71006		Bouchon	Plug-relief valve registered	1
27	69001/9		Bobine (position flottante)	Spool-float	1
28	69008/8		Bague d'espacement	Spacer	1
29	69008/2		Chapeau	Cap	1
30	69008/7		Tige guide	Shank	1
31	ONE-EIGHT		Bille	Ball	4
32	69008/6		Porte-bille	Holder-ball	1
33	69008/5		Presse-bille	Presser-ball	1
34	69008/3		Rondelle	Washer	1
35	69009/1		Anneau fermoir	Ring-retaining	1

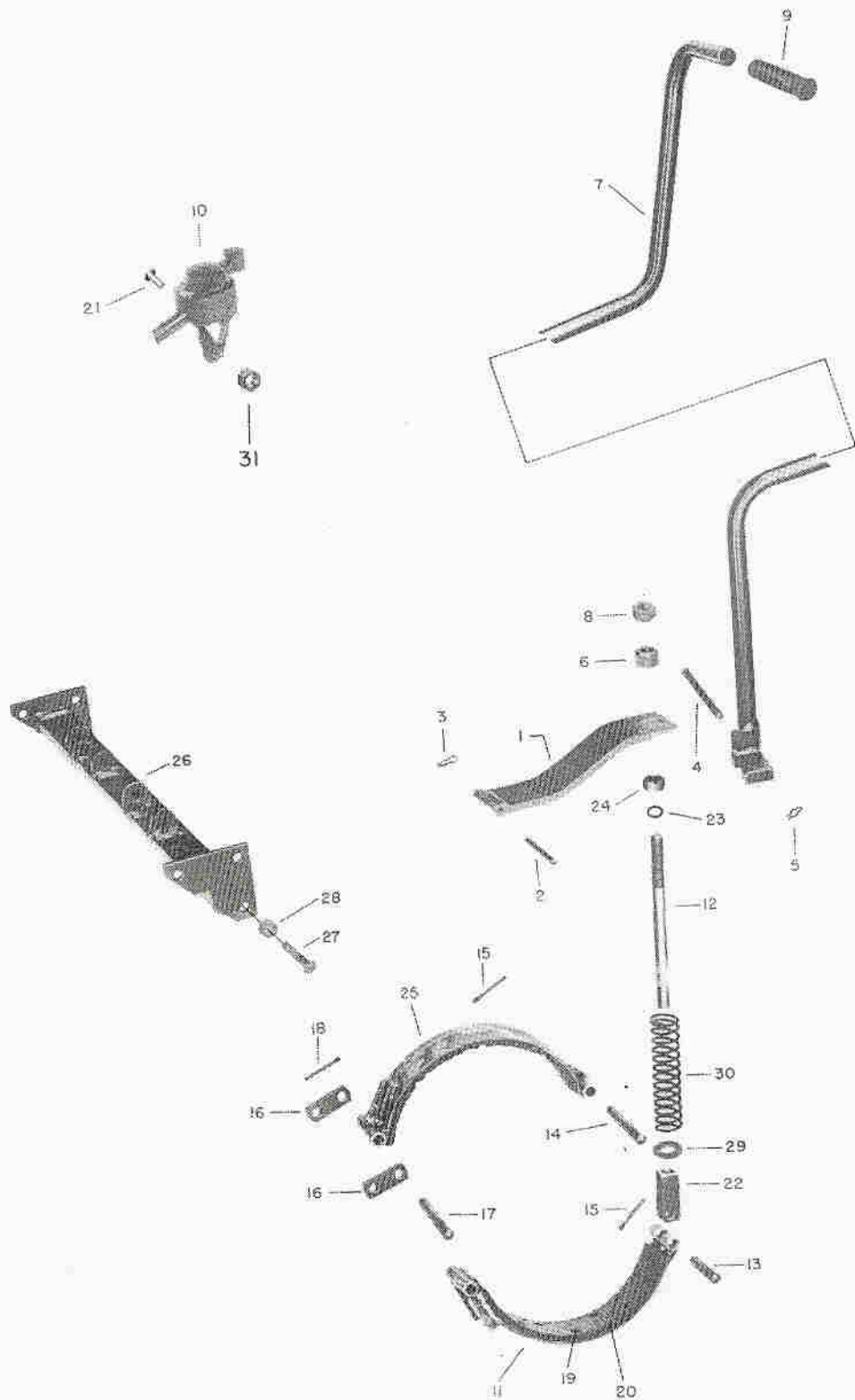
Special thanks to Bill 'mntopper' for use of this manual

Due to some minor technical problems when making this manual, some pages are OUT OF SEQUENCE, you will have to keep that in mind when using the index

* CES PIECES NE SE VENDENT PAS SEPARATEMENT

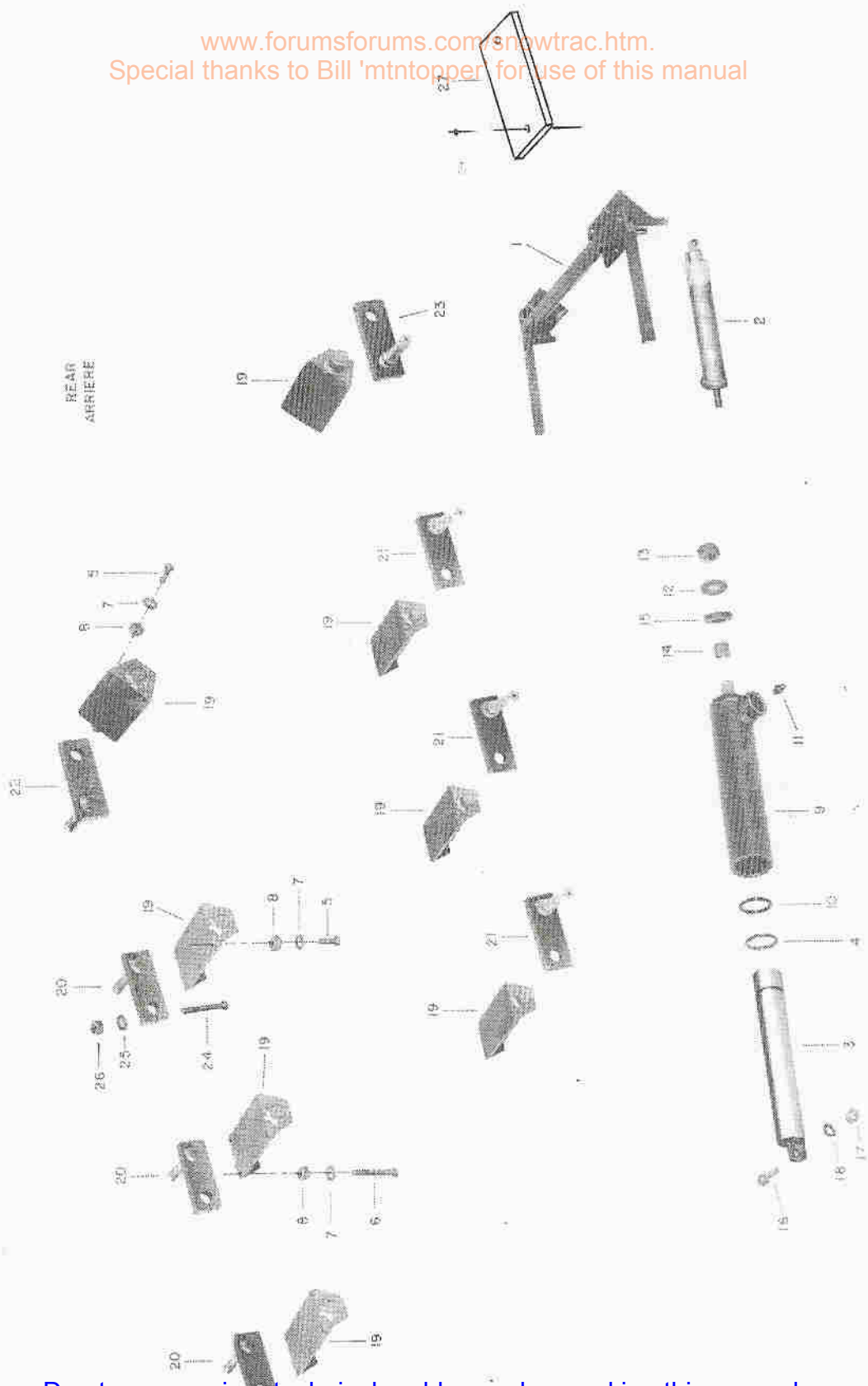
* THOSE PARTS ARE NOT SOLD SEPARATELY

www.forumsforums.com/snowtrac.htm.
Special thanks to Bill 'mnttopper' for use of this manual



Due to some minor technical problems when making this manual,
some pages are OUT OF SEQUENCE,
you will have to keep that in mind when using the index

www.forumsforums.com/snowtrac.htm.
Special thanks to Bill 'mntopper' for use of this manual

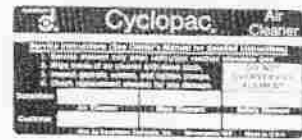


Due to some minor technical problems when making this manual,
some pages are OUT OF SEQUENCE,
you will have to keep that in mind when using the index

www.forumsforums.com/snowtrac.htm.
Special thanks to Bill mnttopper for use of this manual



21



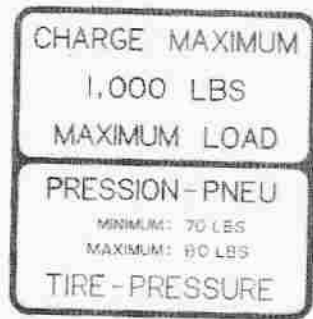
10



22



8



7



6



9



5



3



4



1



2



18



14



20



13



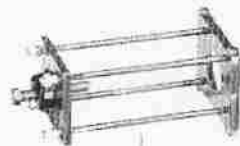
15



16



12



19



17



11

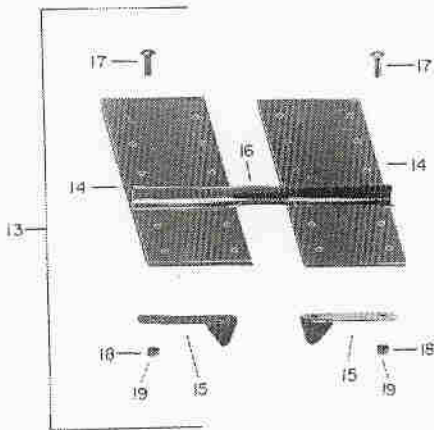
Due to some minor technical problems when making this manual,
some pages are OUT OF SEQUENCE,
you will have to keep that in mind when using the index

NO. REF. REF. NO.	NO. PIECE PART NO.	DESCRIPTION	QTE PAR VEHICULE QTY PER VEHICLE
1	680 0756 00	Remorque complète	1
1	680 0605 00	Roue(complète)	4
2	602 0069 00	Roue (avec cuvette)	4
3	1070 0012 00	Chambre à air	4
4	10700011 00	Pneu	4
5	20000001 00	Cône de roulement	8
6	10633038 00	Rondelle d'étanchéité	4
8	20000002 00	Cuvette de roulement	8
9	38102039 00	Ecrou (1"-14 N.S.)	4
0	37100062 00	Goupille (5/32" x 1 1/4" L.)	4
1	68000601 00	Chapeau de moyeu (avec graisseur à pression)	4
2	6822001 00	Graisseur à pression	4
3	68000722 00	Chenille (complète)	2
4	68000164 00	Courroie	4
5	68000112 00	Garde-chenille	128
6	68000111 00	Traverse	64
7	68008025 00	Boulon (5/16"N.F. x 1 1/4" L.)	256
8	68008202 00	Ecrou (5/16"N.F.)	248
9	6838037 00	Ecrou (5/16"N.F.)	8
0	68000089 00	Barre d'attelage	1
1	68000090 00	Fixation	2
2	3016091 00	Boulon (3/8"N.F. x 3" Gr.8)	8
3	6822024 00	Ecrou (3/8"N.F.)	8
4	68000091 00	Attache	1
5	6817160 00	Boulon (1/2"N.F. x 3" Gr.8)	3
6	6822128 00	Ecrou (1/2"N.F.)	3
7	68330435 00	Barre de jumelage	2
8	68330437 00	Essieu	2
9	6812039 00	Ecrou (1"-14N.S.)	2
0	6810095 00	Goupille (3/16" x 2"L.)	2
1	6822001 00	Graisseur à pression	2
2	6811164 00	Levier	2
3	6811165 00	Loquet	1
4	3008044 00	Boulon (5/16"N.F. x 1 1/4" Gr.5)	1
5	3982022 00	Ecrou (5/16"N.F.)	2
6	3721120 00	Cheville	2
7	4143590 00	Ressort	2
8	6181162 00	Porte	1
9	6181163 00	Cheville (peinture)	2
0	371 0031 00	Goupille (3/8" x 1 1/4" L.)	4
1	114 1046 00	Cheville	2
2	106 3041 00	Rondelle d'étanchéité	4
3	626 0885 00	Pcuille	4
4	603 0436 00	Axe	4
5	114 1320 00	Protecteur	4
Ass'y-trailer			
Ass'y-wheel			
Wheel (with cup)			
Tube-wheel			
Tire-wheel			
Cone-bearing (wheel)			
Seal-wheel			
Cup-bearing			
Nut-hex slotted (wheel) (1"-14 N.S. B.P.)			
Pin-cotter (wheel) (5/32" x 1 1/4" L.)			
Ass'y-hub cap (with grease fitting)			
Fitting-grease			
Ass'y-track			
Belt-track			
Guard-track			
Link-cross			
Bolt (5/16"N.F. x 1 1/4" L.)			
Nut-elastic stop (5/16"N.F.)			
Nut-crown lock (5/16"N.F.)			
Bar-draw			
Attachment-draw bar			
Screw-hex cap (3/8"N.F. x 3" Gr.8)			
Nut-elastic stop (3/8"N.F.)			
Hitch			
Screw-hex cap (1/2"N.F. x 3" Gr.8 B.P.)			
Nut-elastic stop (1/2"N.F.)			
Tandem-spindle			
Axle-tandem			
Nut-hex slotted (1"-14N.S.B.P.)			
Pin-cotter (3/16" x 2"L.)			
Fitting-grease			
Lever-dump latch operating			
Latch-trailer dump			
Screw-hex cap (Lever) (5/16"N.F. x 1 1/4"Gr.5)			
Nut-elastic stop (5/16"N.F.)			
Pin-roll			
Spring			
Door			
Pin-hinge			
Pin-cotter (3/8" x 1 1/4" L.)			
Pin-lynch			
Seal-oil			
Pushing			
Spindle			
Protector			

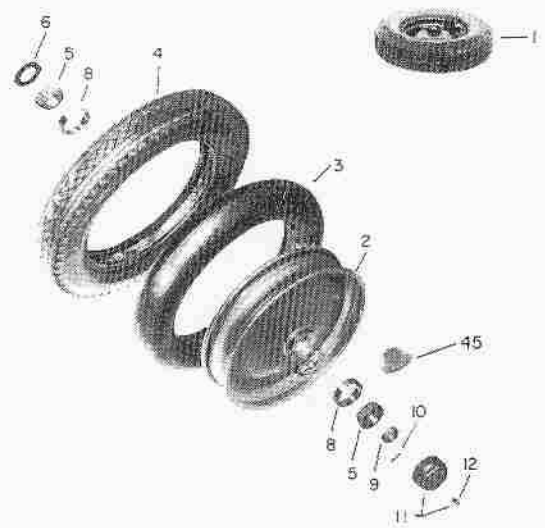
Due to some minor technical problems when making this manual,
 some pages are OUT OF SEQUENCE.
 you will have to keep that in mind when using the index

www.forumsforums.com/snowtrac.htm
 Special thanks to "sinttopper" for use of this manual

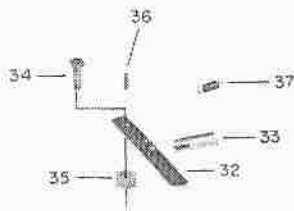
www.forumsforums.com/snowtrac.htm.
Special thanks to Bill 'mntopper' for use of this manual



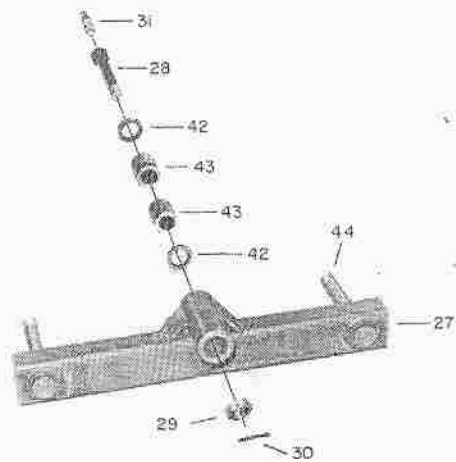
TRACK - CHENILLE



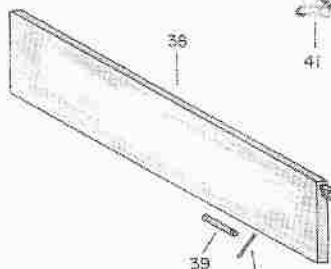
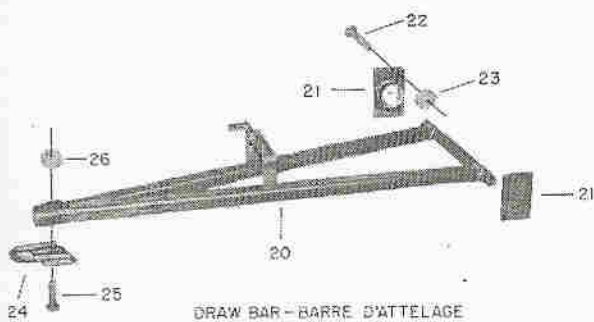
WHEEL - ROUE



DRAW BAR - BARRE D'ATTELAGE

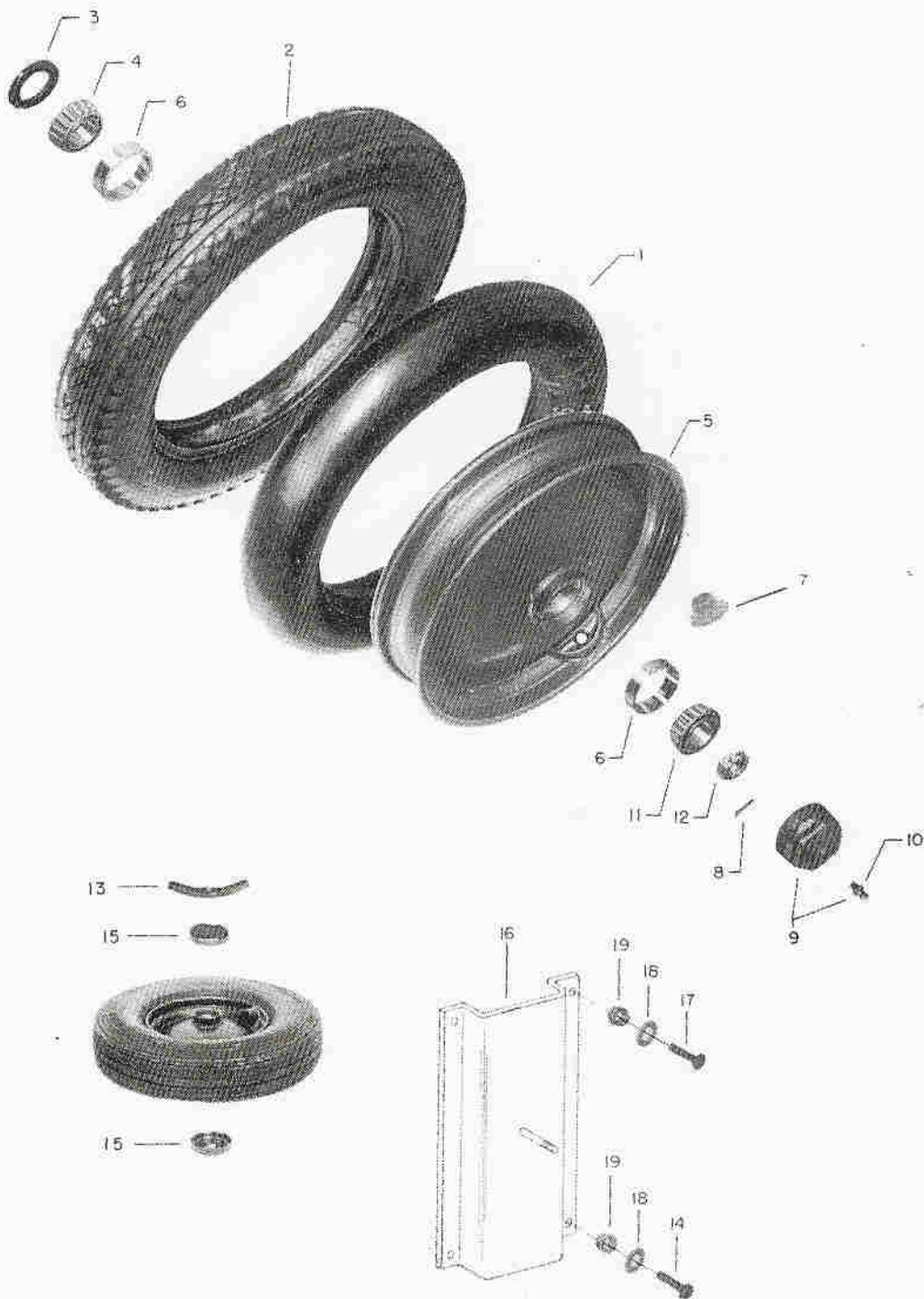


SUSPENSION



Due to some minor technical problems when making this manual,
some pages are OUT OF SEQUENCE,
you will have to keep that in mind when using the index

www.forumsforums.com/snowtrac.htm.
Special thanks to Bill 'mnttopper' for use of this manual



Due to some minor technical problems when making this manual,
some pages are OUT OF SEQUENCE,
you will have to keep that in mind when using the index

