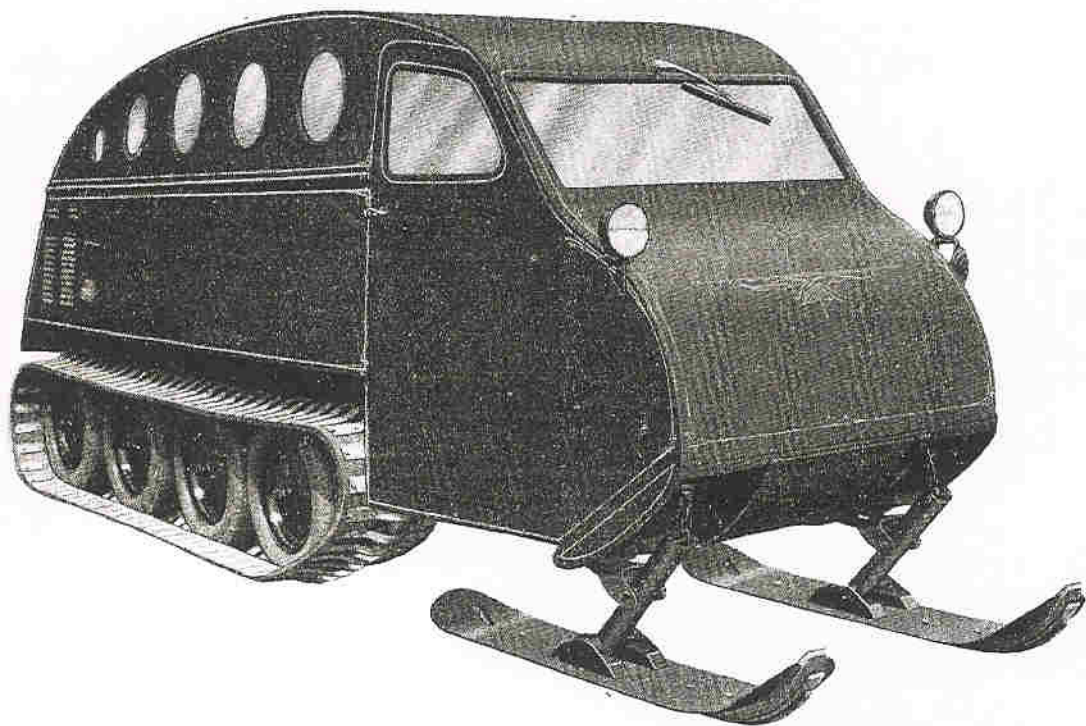




SNOWMOBILE

MAINTENANCE MANUAL
and SPARE PARTS LISTS



BOMBARDIER SNOWMOBILE LTD.

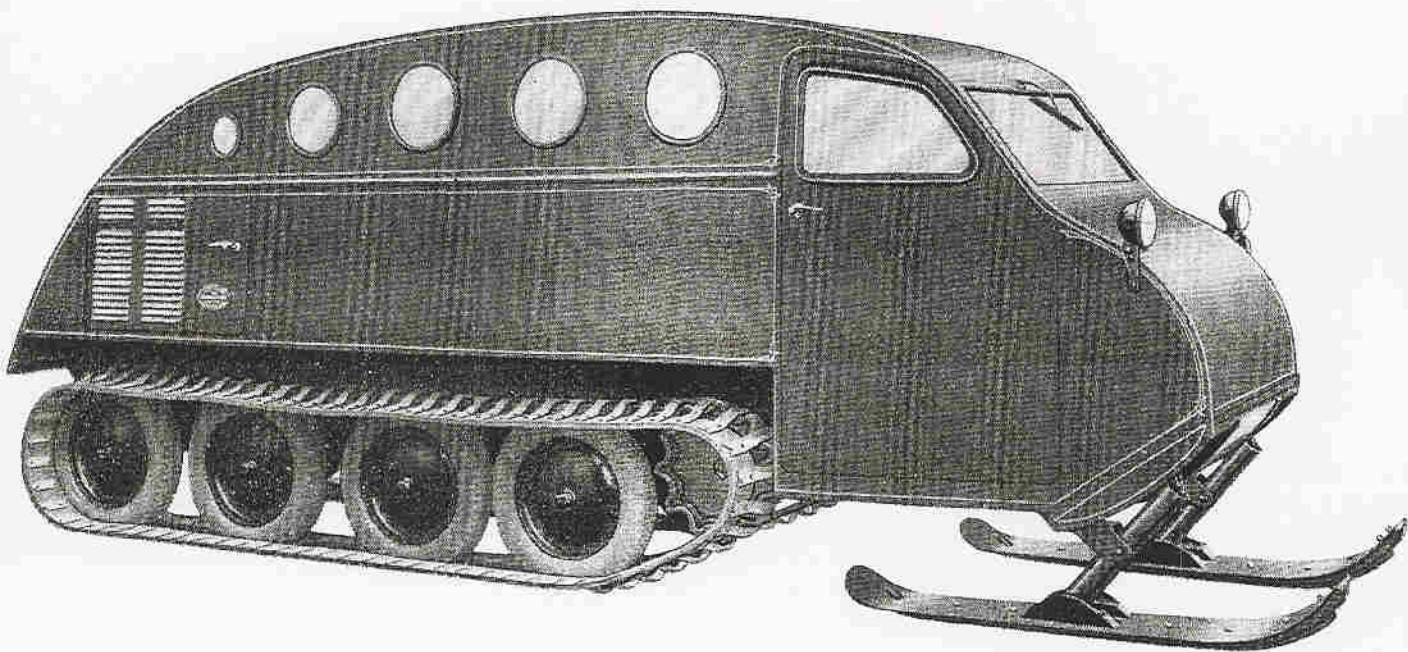
L'AUTO-NEIGE BOMBARDIER LTÉE

now from www.northerntracks.com/snowtrac.html
With special thanks to "Averyman" of www.NorthernTracks.com

VALCOURT, Que. - CANADA

Introduction	Page 5
General Description	" 6
Operation	" 8
Steering	" 9
Care of the Engine	" 9
Lubrication Diagram	" 10
Lubrication Chart	" 11
Lubrication	" 12
Maintenance Schedule	" 12
Front Suspension	" 13
Rear Suspension	" 13
Steering Mechanism	" 14
Brakes	" 14
Clutch	" 14
Shifting	" 14
Body	" 15
Seasonal Overhaul	" 15
Uniform Warranty	" 15
Spare Parts List Section	" 17

BOMBARDIER SNOWMOBILE



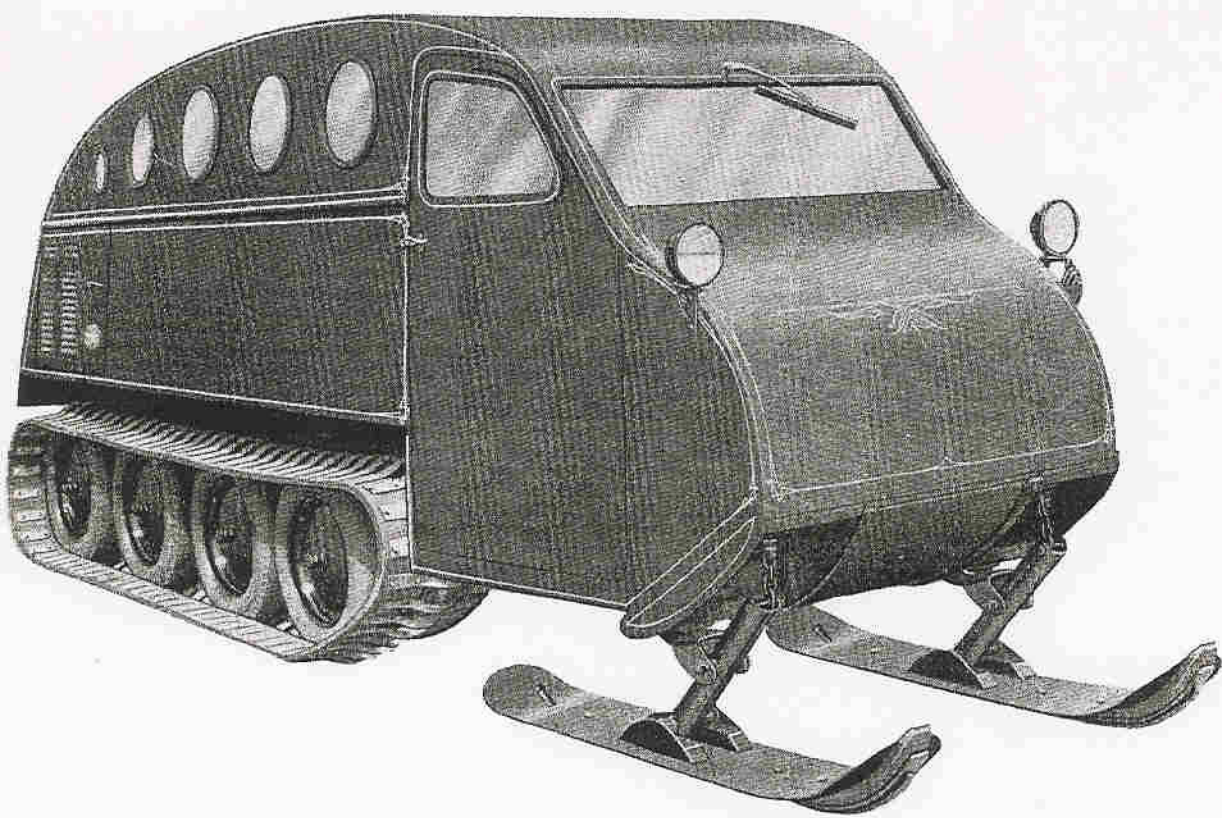
GENERAL DESCRIPTION

The different models of the Bombardier snowmobile have all the same general characteristics. The chassis is of the toboggan type with all the principal mechanical parts inside, sheltered from snow and ice. The rear suspension, consisting of coil springs and independent wheels, has eight supporting points which assure an equal distribution of the load and comfortable riding on rough roads.

The front suspension is of special design assuring easy driving and efficient positive control of the vehicle together with real riding comfort.

The Bombardier snowmobile is powered by a Chrysler Industrial engine 251 of 115 H.P.

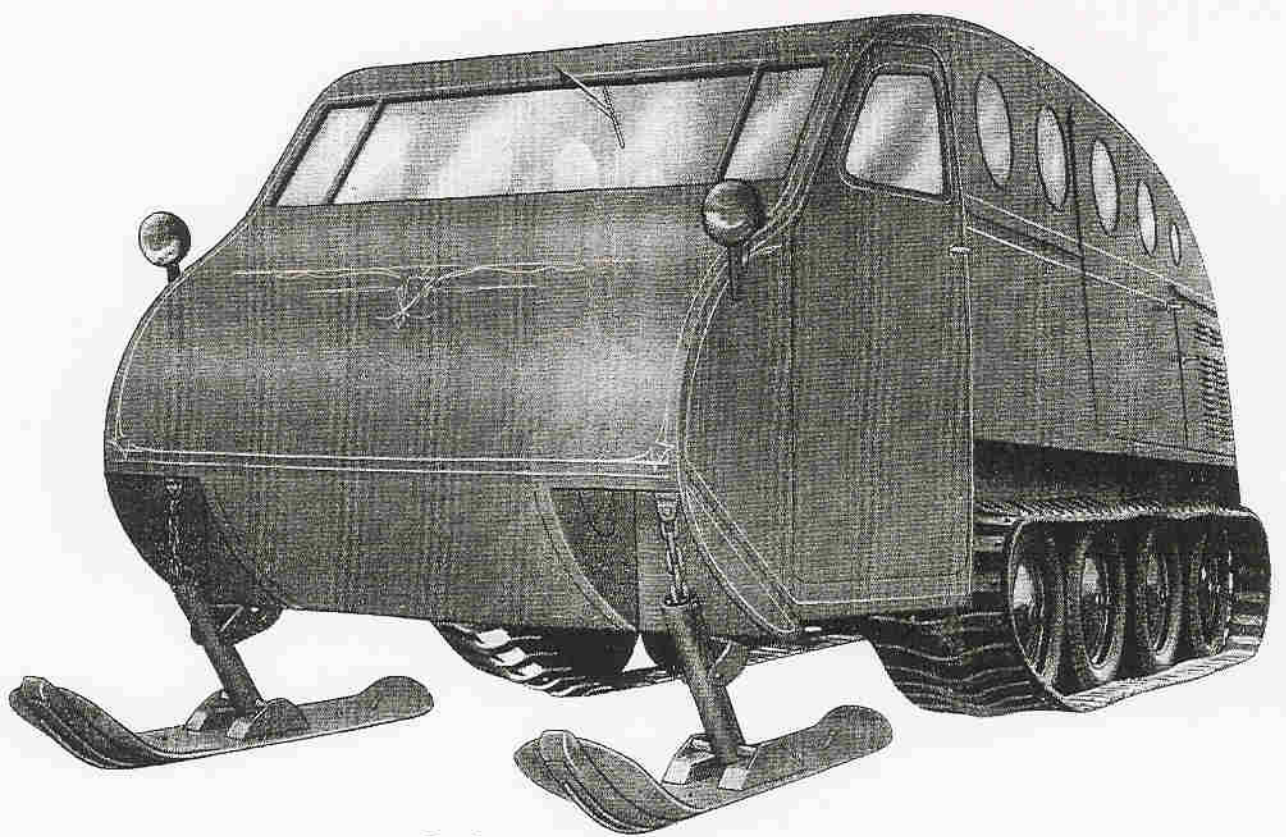
www.forumsforums.com/snowtrac.html
With special thanks to "Averyman" of www.NorthernTracks.com



Bombardier Snowmobile Model B-12-CS

MODEL B-12CS

This model can accommodate 12 passengers or take a load of 2000 lbs. Due to its narrow width, this vehicle can track on sleigh beaten roads and can also be used for operations where a wider vehicle would not be practical; on account of this feature, many lumber companies have adopted this model to haul lumber and pulp wood.



Bombardier Snowmobile Model C-18-S

MODEL C-18S

This is a 15 passenger vehicle which can take a load of 2500 lbs. Its increased width contributes to its stability when travelling cross country or over snow-drifted roads. The extra accommodation space makes it an ideal Winter bus. Many school boards are using it as a

school bus; equipped with a longitudinal rear seat, it can accommodate up to 30 children and is the safest and most comfortable means of transporting them to and from school in Winter.

OPERATION

As the oil gets thicker during Winter and circulates more slowly, the engine should be warmed up at idle speed before starting off and it should not be raced before normal temperature is reached.

The ratio between the engine and the tracks being considerably reduced, second gear is usually used to put the vehicle in motion except when starting on steep hills.

Gear shifting is done without using much force. If shifting is difficult, the trouble is due to sticky, bent or dirty selector and control rods or to the improper adjustment of the clutch linkage.

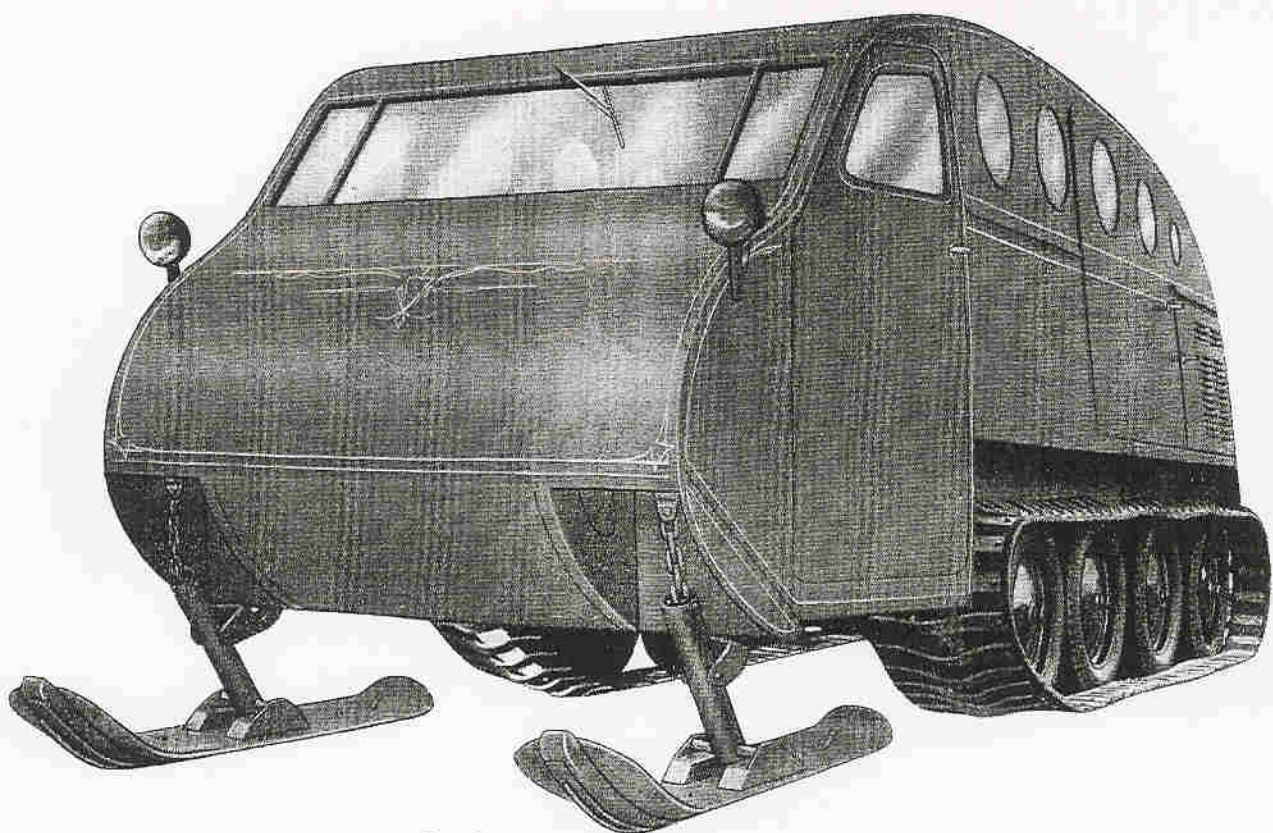
Air pressure in the tires should be checked regularly and maintained equally in all the tires at 30 to 35 lbs.

The battery should be checked frequently making sure that the electrolyte is at the proper level.

Proper lubrication is of utmost importance. For best results the lubrication chart and the instructions given in this manual should be followed faithfully.

The lubrication of the engine should be done according to the instructions of the manufacturer taking in consideration the conditions in which the engine operates.

www.forumsforums.com/snowfrac.htm
With special thanks to "Averyman" of www.NorthernTracks.com



Bombardier Snowmobile Model C-18-S

MODEL C-18S

This is a 15 passenger vehicle which can take a load of 2500 lbs. Its increased width contributes to its stability when travelling cross country or over snow-drifted roads. The extra accommodation space makes it an ideal Winter bus. Many school boards are using it as a

school bus; equipped with a longitudinal rear seat, it can accommodate up to 30 children and is the safest and most comfortable means of transporting them to and from school in Winter.

OPERATION

As the oil gets thicker during Winter and circulates more slowly, the engine should be warmed up at idle speed before starting off and it should not be raced before normal temperature is reached.

The ratio between the engine and the tracks being considerably reduced, second gear is usually used to put the vehicle in motion except when starting on steep hills.

Gear shifting is done without using much force. If shifting is difficult, the trouble is due to sticky, bent or dirty selector and control rods or to the improper adjustment of the clutch linkage.

Air pressure in the tires should be checked regularly and maintained equally in all the tires at 30 to 35 lbs.

The battery should be checked frequently making sure that the electrolyte is at the proper level.

Proper lubrication is of utmost importance. For best results the lubrication chart and the instructions given in this manual should be followed faithfully.

The lubrication of the engine should be done according to the instructions of the manufacturer taking in consideration the conditions in which the engine operates.

Steering a snowmobile is somewhat different from steering a standard motor vehicle. On soft surfaces, steering is positive and offers no difficulties but on hard surfaces such as ice or cement, turnings are more difficult. To make a sharp turn on such surfaces, turn the skis and release the accelerator suddenly; the compression of the motor will act as a brake, bringing more weight to bear upon the skis; the runner shoes will bear more heavily against the roughness of the surface and this will great-

ly help to make the desired turn.

When negotiating snow banks, ditches or other obstacles, gear down to have plenty of power in reserve so as not to lose speed, avoiding thus the danger of spinning the tracks. If the tracks start spinning, release the accelerator a little, which, in certain cases, will permit the snowmobile to cross the obstacle without further slipping. If further slipping occurs, run the vehicle back and forth to beat tracks and gain momentum.

CARE OF THE ENGINE

New Engine

The life of a new engine depends to a large extent, on the care it receives for the first 500 to 1500 miles of operation. A new engine has very close fitting parts: a thin film of lubricant prevents excessive wear of the moving parts. Driving a new engine at high speeds would create extremely high temperatures of the frictional surfaces with the danger of breaking down the oil film between the moving parts and causing permanent damage to the engine. Therefore, it is important not to drive in excess of 35 miles per hour (Speedometer reading) until the vehicle has covered its first 500 miles. During the next 2000 miles, the speed may be gradually increased to complete the "breaking-in" process but no continued high speed should be made until the vehicle has covered 2500 miles. This mileage is necessary to make sure that all internal engine friction has been minimized and that the bearing surfaces have been burnished to a smooth glazed surface which has much to do with the length of the life of the engine parts.

Cold Engine

A cold engine requires particular care during the warming-up period. Before driving the vehicle, the engine should be run at idle speed for a few minutes and then, driven slowly until normal temperature has been reached. It must be remembered that in a cold engine, the oil is thicker and does not reach the moving parts as easily as when it is warm. Excessive

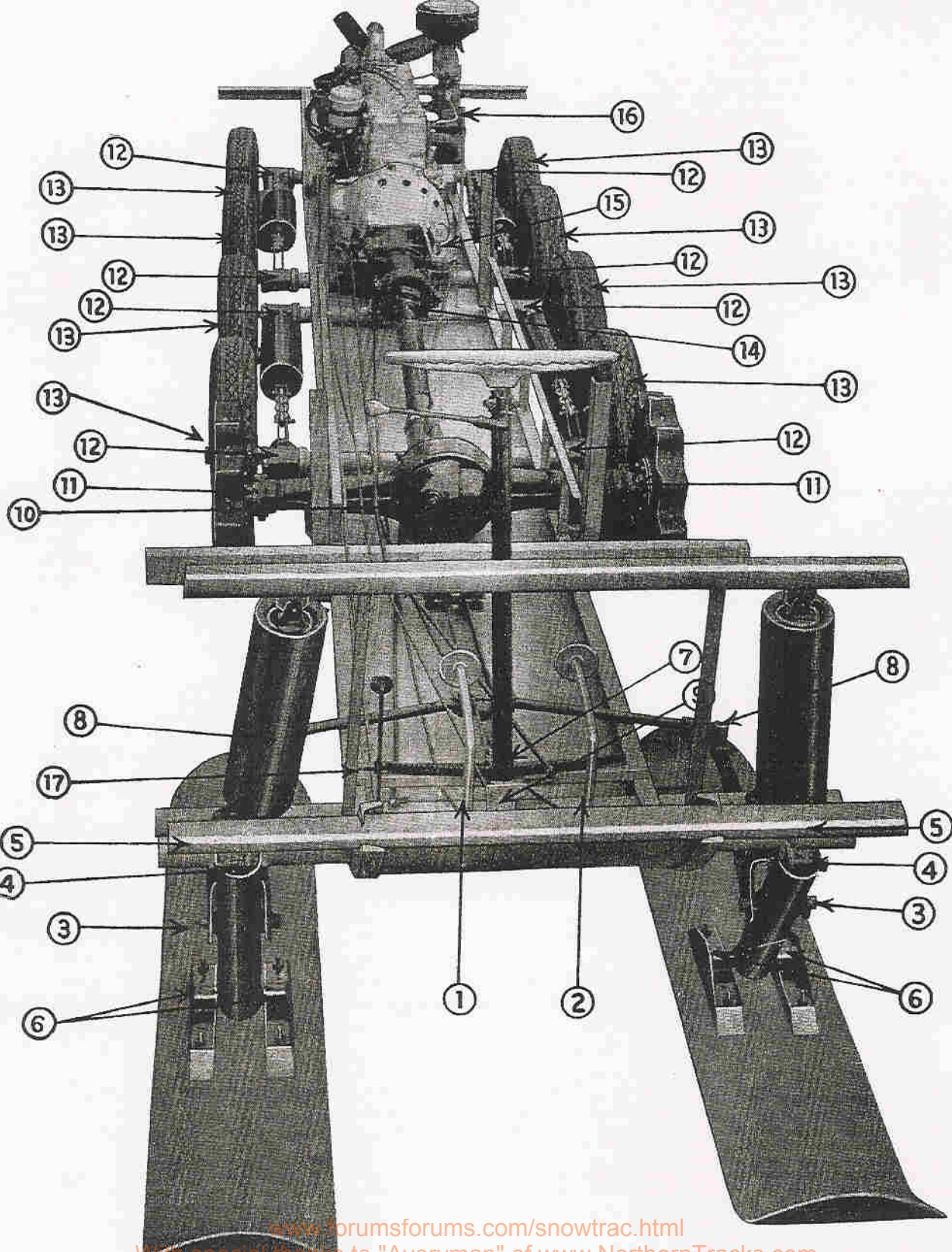
speed with a cold engine will cause high temperatures to develop too quickly in the bearings and pistons and will damage these parts.

Engine Oil

The grade of oil used in the engine depends on the temperature. For temperatures as low as 10°F, use no. 20W; as low as -10°F use no. 10W and below -10°F use no. 5W. The first oil change should be made at 500 miles and thereafter at every 1000 miles or more often if the snowmobile makes but short trips. During Winter, moisture will condense in the crankcase and form a sludge which may freeze and hinder the oil circulation. Moreover, a certain percentage of fuel and by-products of combustion work their way down into the crankcase reducing the lubricating quality of the oil. If the snowmobile is run for only short trips the engine will not warm up enough to vaporize the condensation and expel it through the ventilation outlet pipe. Therefore, under these conditions, the crankcase oil should be changed every 500 miles or less. However, if the snowmobile makes frequent trips of 30 miles or more at a speed of 50 M.P.H., the oil change can be made at every 1000 miles.

The crankcase should be drained when the engine is thoroughly warmed up so that the oil will carry off sediment more completely.

For details pertaining to the maintenance of the engine, see "Chrysler Industrial engines Maintenance and Parts Manual" given with each snowmobile.



www.forumsforums.com/snowtrac.html
 With special thanks to "Averyman" of www.NorthernTracks.com

LUBRICATION DIAGRAM

LUBRICATION CHART

Chart Ref.	I T E M	No. of fittings	Service lubricant	Lubrication period	Remarks
1.	Brake Pedal	1	Motor Oil	2000 miles	Opening on pedal
2.	Clutch Pedal	1	Motor Oil	2000 miles	Opening on pedal
3.	Rocker Tube Bearing	2	Alemite Grease	500 miles	Fittings on end of bolts
4.	Bolt Rocker Tube Top	2	Alemite Grease	Daily	Apply on bolt as required
5.	Rocker Bracket Bearings	2	Alemite Grease	2000 miles	Fitting outside of housing
6.	Ankle Shaft Bearing	4	Alemite Grease	500 miles	Fitting on each ski bearing
7.	Steering Shaft Lower Bearing	1	Alemite Grease	Seasonally	Remove steering to grease bearing
8.	Steering Tie Rod	2	Alemite Grease	500 miles	Fitting at end of rod
9.	Gearshift Lever Driving Angle	1	Motor Oil	2000 miles	Located under front floor boards
10.	Differential	1	Hypoid Gear lub. SAE 80	1000 miles	Located under rear floor boards, check and keep to level N.B. — Never mix one brand of hypoid lubricant with another brand.
11.	Axle Shaft Bearings	2	Alemite Grease	2000 miles	Fittings near sprocket
12.	Body Spindle	8	Alemite Grease	500 miles	Fitting on each part
13.	Wheel Bearings	8	"Short Fibre"	1000 miles	Accessible on outside of vehicle. Remove hub cap
14.	Drive Shaft Slip Joint	1	Alemite Grease	2000 miles	Located under rear floor boards
15.	Transmission	1	Lubricant SAE 80	2000 miles	Check and keep to level
16.	Throttle Wire Housing	1	Motor Oil	500 miles	Few drops of oil-accessible in motor compartment
17.	Accelerator Pedal Assembly	1	Motor Oil	Seasonally	
	All Clevis Pins & Slip Joints		Oil or Alemite grease	2000 miles	

www.forums.lynx.com/brownae.html
 With special thanks to "Averyman" of www.NorthernTrucks.com

INSTRUCTIONS FOR LUBRICATION OF MOTOR SUPPLIED IN THE MANUAL BY THE MANUFACTURER OF MOTOR.

LUBRICATION

To obtain the maximum performance from a snowmobile, it is very important to follow the recommendations given on the subject of lubrication of this vehicle.

To completely lubricate the snowmobile, it is necessary to remove the floor boards in the driver's and passengers compartments.

THE FOLLOWING LUBRICATION IS RECOMMENDED

Engine

Instructions for the lubrication of the engine are given in the manual provided by the manufacturer of the engine which is supplied with each snowmobile.

Transmission

The oil level should be checked every 2000 miles. A high grade fluid gear lubricant should be used and the recommended viscosity is SAE 80. This lubricant should be changed once a year.

Differential

The hypoid type teeth in the driving gears require extreme pressure gear lubricants especially designed for hypoid gear lubrication. The recommended viscosity is SAE 80. Make sure there are no leaks in the differential housing. Check the oil level every 1000 miles under normal conditions. For severe usage such as woods operations, check every 500 miles. Never mix different brands of hypoid lubricants, drain off, rinse with cleansing oil (never use Kerosene) and refill with new lubricant.

MAINTENANCE SCHEDULE

Daily

Bolt rocker tube top: grease or heavy gear oil should be applied to prevent excessive wear between the bolt and chain bushing.

Every 500 miles

- 1.—Rocker tube bearings: alemite
- 2.—Ankle shaft bearings: alemite
- 3.—Steering tie rod: alemite
- 4.—Body spindle: alemite.

Every 1000 miles

- 1.—Check differential: fill with hypoid gear lubricant SAE 80
- 2.—Wheel bearings: check the adjustment and lubricate with "short fiber" grease.

Every 2000 miles

- 1.—Brake and clutch pedals: motor oil
- 2.—Accelerator rod joints: motor oil
- 3.—Rocker bracket bearings: alemite
- 4.—Gearshift lever driving angle: oil
- 5.—Axle shaft bearings: alemite
- 6.—Propeller shaft spline: alemite
- 7.—All clevis, pins and slip joints: oil or alemite
- 8.—Transmission: check and keep to level with SAE 80

Every season

- 1.—Steering shaft lower bearing: alemite
- 2.—Starter pedal assembly
- 3.—Transmission and differential: drain flush and refill.

FRONT SUSPENSION

The front suspension of the snowmobile is of special design and consists of the following major assemblies: ski assembly (C-1000), rocker tube assembly (B-1008), rocker bracket and steering arm assembly (C-1015) and spring unit assembly (C-1119).

If the vehicle is operated on snow-covered terrain only, the skis will not require frequent servicing. However, if driven over ice or bare ground, the runner shoes will wear more rapidly and require replacement. To replace the runner shoes, jack up the front end of the vehicle and remove the runner shoe nuts (10000) and drive out the worn runner shoe, front end first. Install new runner shoe, rear end first and by tightening the nut, the front end will come in position. Install nut and tighten securely.

REAR SUSPENSION

The snowmobile has four bogie wheels and tires on either side running in a track driven by a rubber covered sprocket. The wheels are the drop center type fitted with 4.50 x 16 four ply tires. They are mounted on body spindles which are coupled by bogie springs assuring thus the mobility of the rear suspension.

Track adjustment

The track is adjusted through the body spindle adjuster unit at the rear wheel. To adjust a track, loosen the ten clamping bolts on the adjuster unit pressure plate and turn the adjusting screw as necessary to permit the track to be raised 2" to 3" by hand from the top of the second front wheel. Tighten the ten clamping bolts securely.

Sprocket

The only maintenance required on the sprockets is the replacement of the rubber facings as required. Remove the worn out facings from the sprocket by cutting the bolts; clean the faces of the sprockets. Drill one hole through the end of the rubber facing and install a bolt. At each tooth, drill three holes in the facing at the same angle as the holes in the sprocket and install bolts. At the last tooth, fit and cut the loose end and install the last bolts.

To remove a ski from the vehicle, remove the four nuts and bolts (10001) at the ankle shaft bracket and slide the ski off the ankle shaft.

At seasonal overhaul, the rocker bracket bearings should be cleaned and repacked with grease. To remove the rocker bracket and steering arm assembly, jack up the vehicle and remove the lock nut, locking washer and adjusting nut; disconnect steering tie rod and remove centre rocker tube bolt. To adjust the rocker bracket bearings, turn down the adjusting nut until a drag is felt, then back off until the rocker bracket may be rotated freely on the bearings without there being any play. Install the locking washer and locking nut.

Wheel bearings

The adjustment of the wheel bearings is very important and should be checked every 1000 miles or more often if the snowmobile is operating under severe conditions. To adjust these bearings, rotate the wheel while tightening the adjusting nut until the wheel becomes somewhat hard to turn by hand. Back off the adjusting nut one half to one full castellation as necessary to install the cotter pin. To adjust the rear wheel bearings, it is necessary to remove the tracks.

Careful adjustment of the wheel bearings is most important. If these bearings are not properly adjusted, they will wear out quickly the wheel will become loose damaging the bogie spindle spacer, the track and the tire.

Tires

The tires on a snowmobile do not wear out evenly, the exterior side wears out more quickly than the interior side and the front tire more quickly than the rear one. To increase their life, the tires should be rotated. The first rotation will be made between the front and rear wheels. Then, when all the tires show an even wear on the exterior side, they should be dismantled from the wheel and changed sides. A third change, if required, will be again between the front and rear wheels.

STEERING MECHANISM

The steering mechanism is very simple in construction. The steering mast jacket is held in place by a brace attached to the instrument panel. The lower end of the jacket fits over the bearing housing which is welded into no. 3 frame crossmember. The jacket is fastened to the bearing housing with a clamp. The steering shaft is supported in the jacket by bushings and the lower end of the shaft fits into a roller bearing. A pinion is welded to the steering shaft above the bearing. The steering wheel is fastened to the splined steering shaft by a retaining nut. The steering sector is pivoted

at the steering sector bracket fastened to the body crossmember. Tie rods connect the steering sector with the steering arms.

Adjustment of the steering sector and pinion may be made by placing shims between the body crossmember and the steering sector bracket.

Toe-in may be adjusted at the steering tie rods. The front ends of the runner shoes should be $\frac{1}{4}$ " closer together than the rear ends with the runners in the straight ahead position.

BRAKES

The brake system used on the snowmobile is mechanical: it acts on the propeller shaft. Being entirely in the interior of the vehicle, it is protected from snow or ice. Adjustments are made by the adjusting nut on the brake band or on the brake rod.

Hydraulic brakes are offered as optional equipment at extra cost. The brakes are operated by two master cylinders, one for each brake. Braking action is transmitted to the tracks through the sprockets. These brakes can be adapted only to the differential 4.89 to 1 and on C-18S models. A brake lever for each cylinder permits the use of these brakes as

auxiliary driving brakes when steering on ice or hard ground.

The driver of a snowmobile equipped with such brakes should keep in mind the following point: snow circulating around the brake drums causes a light film of ice to be formed on the brake shoe preventing the brakes from working properly. To free the shoes from such ice, it is necessary to use the brakes at intervals not exceeding 10 miles so that this film of ice will be melted. The brakes should always be warmed up before coming to a place where the driver thinks they might have to be used.

CLUTCH

The clutch rods are installed in the interior of the vehicle under the floor boards and consequently, are protected against damage due to snow or ice adhesion. Adjustments are made by the screws on the clutch rod near the motor. The clutch adjustment should be

checked at each lubrication making sure the pedal has $1\frac{1}{2}$ " free travel before the clutch starts to release. Too much free travel will prevent the clutch from releasing completely causing difficult shifting. A too tight adjustment will cause clutch slippage.

SHIFTING

The gear shift control rods are in the interior of the vehicle under the floor boards. If shifting is hard, the trouble will be found in the adjustment of the rods and generally, in the selector

rod, adjustment of which can be made near the steering column. The gearshift control rod is adjusted through a clevis near the engine.

The chassis of the snowmobile is constructed of two channel side rails curved upwards at each end and fastened together by seven tubular cross-members and one channel cross-member which is located at the rear. Sheet steel is welded to the inside of the frame side rails thereby sealing the entire under side of the vehicle from snow. This chassis is completely welded.

The body of the snowmobile is of wooden construction adequately braced with angles and plates at the various joints. It is built

around parts of the chassis or fitted to brackets welded to the frame. All the parts are firmly fixed with bolts or screws. This body is light and sturdy.

The doors are constructed of sheet metal turned at the edges over an angle iron frame which is reinforced with wood. The engine compartment doors are of sheet metal and angle iron construction. The rear door is shaped to fit the contour of the body. It is hinged at the bottom and the amount of opening is controlled by friction type side arms.

SEASONAL OVERHAUL

Each spring, before storing the snowmobile, a complete check up and overhaul should be made. The chassis and body should be cleaned and the snowmobile stored in a dry place.

To take off the weight supported by the tires, the snowmobile should be jacked up and placed on blocks.

The following bearings should be thoroughly cleaned and repacked in fresh grease :

- 1.—Rocker bracket bearings
- 2.—Rocker tube bearings
- 3.—Ankle shaft bearings
- 4.—Lower steering shaft bearing
- 5.—Bogie wheel bearings

6.—Bogie axle shaft bearings:

To completely lubricate the bogie axle shaft bearings the following procedure is recommended: remove the tracks and the wheels and release the body spindle by taking off the bolt which attaches the spring chain to the body spindle unit. Grease thoroughly giving a rotary movement to the spindle body to make sure that all the needle bearings are lubricated. This will also allow checking the wear of this unit.

All the various mechanisms should be thoroughly checked and the necessary adjustments made so that the snowmobile will be in perfect running condition.

UNIFORM WARRANTY

The manufacturer warrants each new vehicle manufactured by it to be free from defects in material and workmanship under normal use and service. This warranty shall not apply to any vehicle which shall have been repaired or altered outside of an authorized repair and service station, in any way so as, in the judgment of the Manufacturer, to affect its stability or reliability, nor which has been subject to accident or misuse.

However, the obligation of the Manufacturer under this warranty is strictly limited to replacing free of charge and F.O.B. Valcourt, Province of Quebec, any defective part provided that:

A) Notice of the defects shall have been given

in writing to manufacturer within thirty days from the first operation of said vehicle by its first retail purchaser;

B) The defective parts shall have been returned to Manufacturer with transportation charges prepaid and that their examination shall disclose to Manufacturer's satisfaction their defects.

This contractual warranty limited to the aforesaid thirty days replaces all legal warranties or other warranties and the Manufacturer and the Seller shall never be responsible for any loss or damage for latent or other defects. No one is authorized to change the stipulations of this warranty.

BOMBARDIER SNOWMOBILE LIMITED
L'AUTO-NEIGE BOMBARDIER LIMITÉE
Valcourt, Que., Canada.

www.forumsforums.com/snowtrac.html

Bombardier Snowmobile Limited reserves the right to make changes in design or to make additions to or improvements in its product without imposing any obligation upon itself to install them on its products previously manufactured.

CARB. - CARTER BY BALL & BALL MODEL 6E1 ETT

POINTS C5723A FOR 185 DIST.

CONDENSER AL868

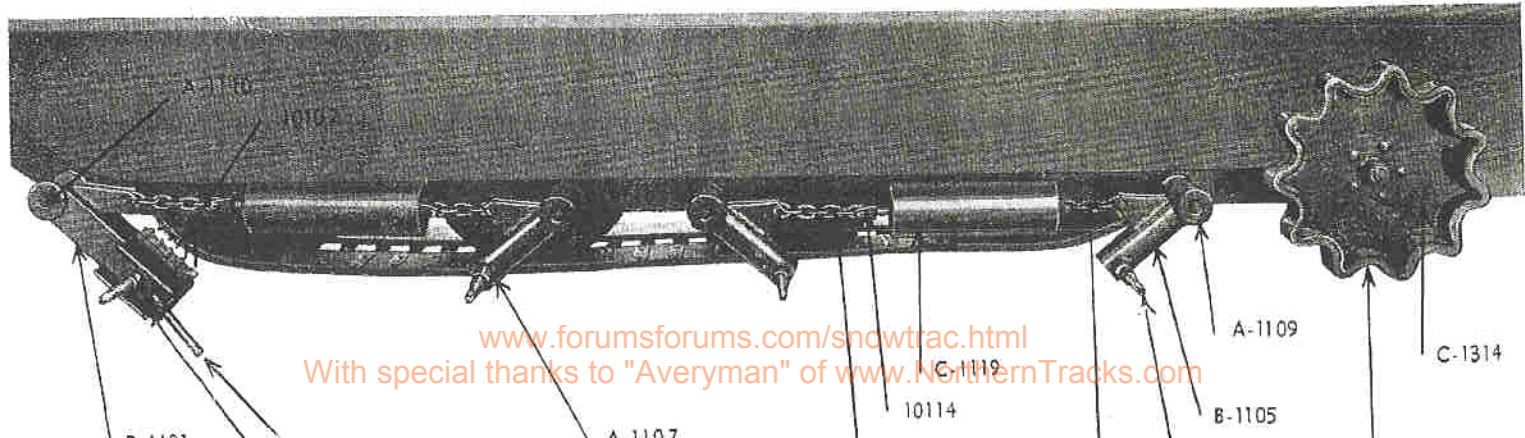
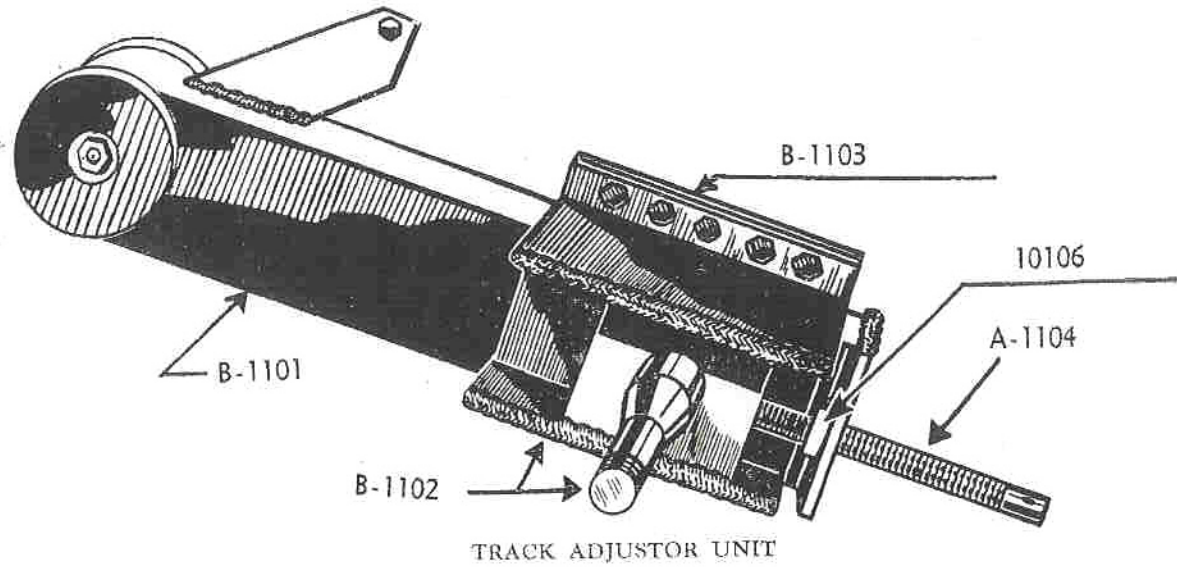
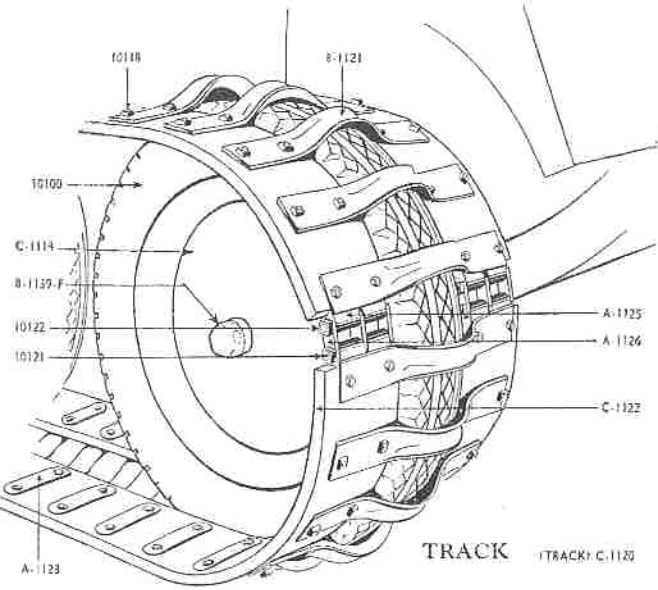
FUEL PUMP #588

CARB KIT Z-5066A

POINTS C5719A FOR 165 DIST.

SKI AND FRONT SUSPENSION

Parts Number	PARTS NAME	No reqd per Uni
C-1000	Ski assembly	2
B-1001	Shoe-runner	2
C-1002	Cap-runner	2
C-1003	Support-runner (wood)	2
C-1004	Runner (ski)	2
B-1005	Spacer-bracket (wood)	4
B-1006	Runner bracket	4
A-1007	Ankle pin	2
B-1008	Rocker tube assy	2
B-1008-1	Rocker tube center bushing	2
B-1008-4	Round plate-rocker tube	2
A-1009	Stud center	2
A-1010	Bolt with nut rocker top	2
A-1012	Mud excluder-lower	2
A-1013	Mud excluder-upper	2
A-1014	Chain-ski suspension spring	2
C-1015-D	Rocker Bracket & steering arm assy R.H.	1
C-1015-G	Rocker bracket & steering arm assy L.H.	1
A-1015-1	Reinforcement — steering arm	4
A-1016	Washer — ski bearing	4
A-1018	Spacer tube — runner shoe	2
A-1023	Bearing — ankle pin	60
A-1024	Bearing — stud center	30
C-1119	Bogie spring (without chain)	2
C-1119-1	Spring ONLY (Bogie spring)	2
10000	Nut SAE 5/8" — Runner shoe	4
10001	Carriage bolt & nut 2 1/2" x 3/8" — Runner bracket	16
10002	Lock washer 3/8" — Runner bracket	16
10003	Alemite fitting 1/4" x 28" — Runner bracket	4
10004	Tire bolt & nut 2 1/4" x 3/8" ski ass'y	14
10006	Lock washer 5/8" — stud center	4
10007	Nut SAE 5/8" — stud center	2
10011	Nut — rocker bracket	4
10012	Lock washer — rocker bracket	2
10114	Cap screw 2" x 7/16" — SAE — Bogie sp. chain	2
10115	Plain nut 7/16" — Bogie spring chain	2
10015	Rivet 5/16" x 7/8" — Runner cap	2
28156	Cone — rocker bracket bearing housing	4
28317	Cup — rocker bracket bearing housing	4
11A-3020	Rubber bumper	2
EXTRA EQUIPMENT		
B-1932	Adaptable wheel (ski) complete	2
C-1934	Adaptable wheel (ski) with cups	2
B-1932-1	Axle shaft (and outside bracket ass'y) — adaptable wheel	2
C-1932-2	Inside bracket — adaptable wheel	2
C-1932-3	Adjusting crank (adaptable wheel)	1
10016	Tire 4.00 x 8 (adaptable wheel)	2
10017	Tube 4.00 x 8 (adaptable wheel)	2
07100	Cone — adaptable wheel bearing	2
07196	Cup — adaptable wheel bearing	2
424	Oil-seal — adaptable wheel	2



www.forumsforums.com/snowtrac.html
 With special thanks to "Averyman" of www.NorthernTracks.com

TRACK & REAR SUSPENSION

Parts Number	PARTS NAME	No reqd' per Unit
B-1101	Body spindle adjuster (Specify RH. or LH.)	2
B-1102	Spindle adjuster unit (Specify RH. or LH.)	2
B-1103	Pressure plate — adjuster unit	2
A-1104	Adjusting Screw	2
B-1105	Body Spindle	6
B-1106	Spindle	6
A-1107	Spacer — Bogie Spindle	8
A-1108	Plug — End Tube	8
A-1109	Stop Washer — Body Suspension	8
A-1110	Grease Retainer — Body Suspension	16
B-1111	Sleeve — Rear Suspension Bearing — Outer	8
B-1112	Sleeve — Rear Suspension Bearing — Inner	8
A-1113	Roller Bearing — Rear Suspension	304
C-1114	Bogie Wheel (with cups)	8
B-1115	Shaft — Reinforcement	1
B-1115-C	Shaft-reinforcement C-18 S	1
A-1116	Chain Short — Bogie Spring	4
B-1117	Chain Long — Bogie Spring	4
C-1119	Bogie Spring (Without Chain)	4
C-1119-1	Spring only (bogie spring)	4
C-1120-A	Track assy (equipped with C-1122-A belt)	2
C-1120-B	Track assy (equipped with C-1122-B belt) ENDLESS	2
C-1120-3	Track assy (equipped with C-1122-3 belt)	2
C-1120-5	Track assy (equipped with C-1122-5 belt) ENDLESS	2
C-1120-6	Track assy (equipped with C-1122-6 belt) ENDLESS	2
C-1122-A	Goodyear in lengths, 5 plies fabric	4
C-1122-B	Goodyear, 5 plies fabric, endless	4
C-1122-3	Gutta-Percha in length, 5 plies fabric	4
C-1122-5	Gutta-Percha "endless", 5 plies fabric	4
C-1122-6	Goodyear "endless", 3 plies fabric reinforced with steel cable	4
B-1121	Track cross link	138
A-1123	Cleat — Track reinforcement	276
A-1124	Coupling assy — track	1
A-1125	Coupling — track	8
A-1126	Coupling link — track	12
B-1127	Housing — Bogie spring	1
A-1128	Lug short (Bogie spring)	8
A-1129	Lug long (Bogie spring)	8
B-1130	Disc end with lugs	4
C-1131	Plunger — Bogie spring	4
B-1132	Disc end and cylinder plunger assy	4
B-1133	Disc — Compression	4
A-1135	Shim — Bogie spindle www.northerntracks.com/snowtrac.html	4

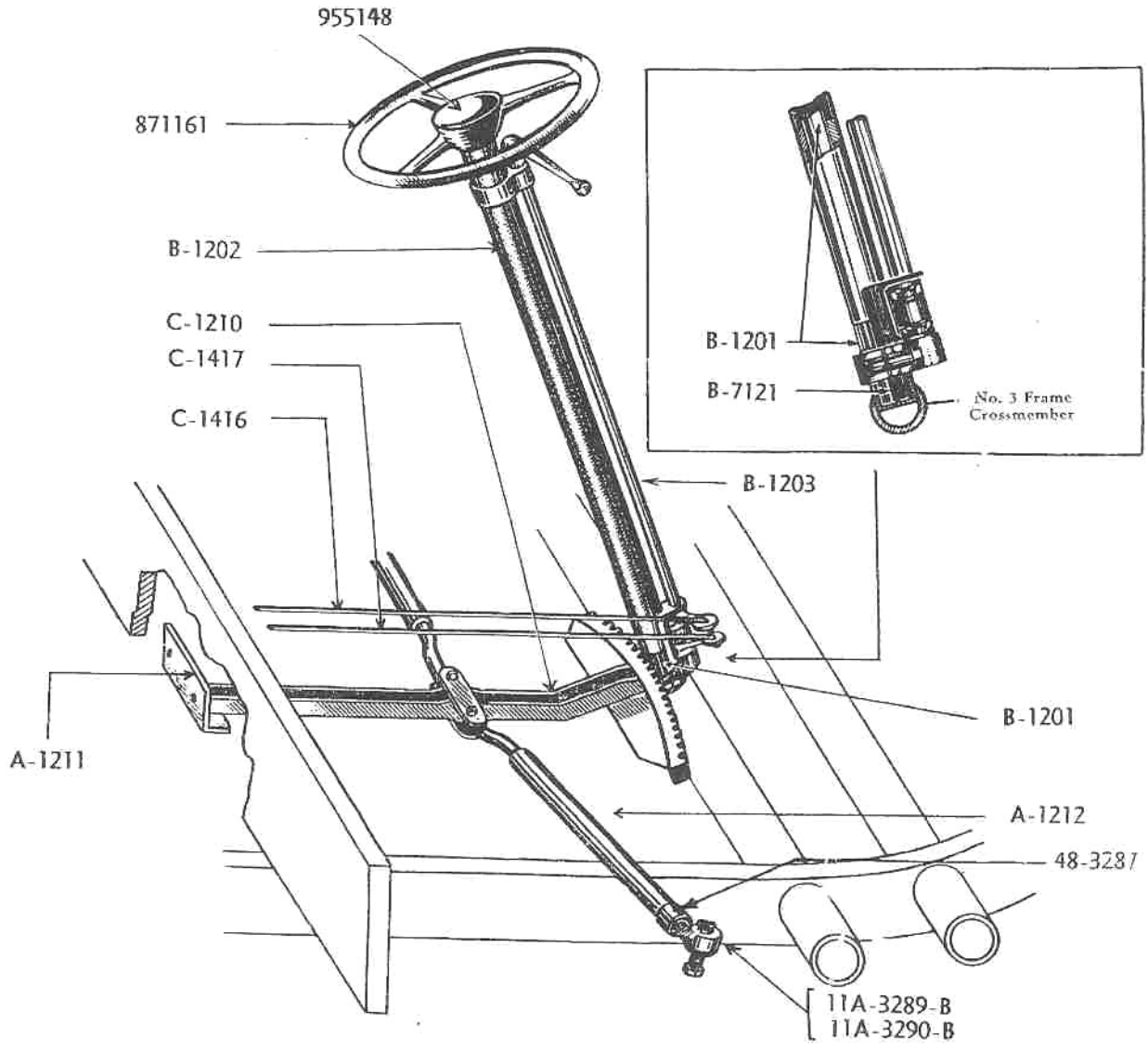
With special thanks to "Averyman" of www.NorthernTracks.com

TRACK & REAR SUSPENSION *(continued)*

Parts Number	PARTS NAME	No reqd' per Unit
B-1139-F	Hub cap — bogie wheel	8
10100	Tires 4.50 x 16	8
10101	Tubes 4.50 x 16	8
10102	Cap Screw $\frac{3}{4}$ x $\frac{5}{16}$ — Spindle Adjuster Unit	10
10103	Cap Srew 1" x $\frac{5}{16}$ — Spindle Adjuster Unit	10
10104	Nut SAE $\frac{5}{16}$ " — Spindle adjuster unit	20
10105	Lock Washer $\frac{5}{16}$	20
10106	Nut SAE $\frac{3}{4}$ " NC 10 — adjusting screw	2
10107	Nut $\frac{1}{2}$ " — Body spindle	8
10108	Cotter pin $\frac{3}{4}$ " x $\frac{1}{8}$ "	8
10109	Nut — Spindle	8
10110	Washer — Spindle	8
10111	Cotter pin $1\frac{1}{4}$ " x $\frac{5}{32}$ " Spindle	8
10112	Alemite Grease Fitting — Body Spindle	6
10113	Alemite Grease Fitting — Body Spindle Adjuster	2
10114	Cap Screw 2" x $\frac{7}{16}$ (Bogie spring chain)	16
10115	Plain Nut $\frac{7}{16}$ "	16
10118	Special bolt $1\frac{1}{4}$ " x $\frac{5}{16}$ " — Cross link	560
10119	Nut SAE $\frac{5}{16}$ " — Cross Link	560
10120	Lock Washer $\frac{5}{16}$ " — Cross Link	560
10121	Bolt and nut $5\frac{1}{2}$ " x $\frac{3}{8}$ " — Track coupling	8
09074	Cone — Bogie wheel bearing outer	8
09196	Cup — Bogie wheel bearing outer	8
15112	Cone — Bogie wheel bearing inner	8
15250	Cup — Bogie wheel bearing inner	8
556	Grease retainer — Bogie wheel	3

www.forumsforums.com/snowtrac.html
 With special thanks to "Averyman" of www.NorthernTracks.com

STEERING MECHANISM



www.forumsforums.com/snowtrac.html
With special thanks to "Averyman" of www.NorthernTracks.com

STEERING MECHANISM

Parts Number	PARTS NAME	No reqd' per Unit
C-1200	Steering Assembly	1
B-1201	Steering Shaft & Pinion Assembly	1
B-1202	Steering Mast Jacket	1
B-1203	Tube & Socket — Transmission Gear Shift	1
A-1204	Link — Power gearshift	1
A-1205	Pinion — Steering Shaft	1
B-1206	Brace — U-rod mast jacket	1
A-1207	Tubing — Steering Brace	2
A-1208	U Link — Steering Brace	1
A-1209	Bracket — Steering Mast Jacket	1
C-1210	Steering Sector	1
A-1211	Bracket — Steering Sector	1
A-1212	Tie rod — steering (Specify left or right)	2
A-1212-C	Tie rod — steering (Specify left or right) C-18S	2
A-1213	Block — Steering Shaft Compression	1
B-1214	Lever — transmission gearshift	1
A-1216	Filler Block — Steering Sector	1
A-1217	Spacer Large — Steering Sector	1
A-1218	Spacer Small — Steering Sector	1
A-1219	Spacer, metal steering sector	1
48-3287	Clamp — Tie Rod	2
11A-3289	Tie rod End assy R.H.	1
11A-3290	Tie rod End assy L.H.	1
40-3517-A	Bushing — Shaft (Upper)	1
81-A-3533	Bushing — Shaft (Lower)	1
10203	Nut 5/8" — Steering Wheel	1
99028	Bearing — steering shaft	1
681402	Spring — Horn Button	1
871161	Wheel — steering	1
955148	Button — Horn	1

POWER AND TRANSMISSION

Parts Number	PARTS NAME	No reqd per Un
C-1300	Gas tank assembly	1
A-1303	Main line — gas tank pipe	1
A-1304	Air vent — gas tank pipe	1
B-1305	Bracket — gas tank	2
B-1306	Gauge — gas tank	1
A-1307	Motor support — front	1
A-1308	Motor support — rear	2
C-1310	Shaft (Propeller)	1
C-1311	Housing assembly — rear axle	1
C-1311-C	Housing assembly — rear axle C-18S	1
C-1312	Axle — differential	2
A-1313	Retainer plate — axle shaft bearing	2
A-1313-1	Retainer plate — axle shaft bearing (C-18S and differential 4.89 to 1	2
C-1314	Sprocket assembly (B-12-CS)	2
C-1314-C	Sprocket assembly C-18-S	2
C-1314-1	Sprocket assembly (Truck)	2
A-1315	Lining — sprocket rubber	2
C-1320	Muffler	1
A-1321	Gasket — muffler	1
A-1322	Hold plate — muffler	1
A-1323	Spring — hold plate muffler	1
A-1326	Guard — front track rubber	2
68-9276	Gasket — gas tank gauge	1
10300	Bolt, nut and washer — sprocket rubber 1 1/4" x 3/16"	36
10301	Washers (Sprocket)	36
25821	Cup — differential bearing axle	2
25877	Cone — differential bearing axle	2
118136	Axle-differential — C-18-S (Specify Serial No. of Snowmobile)	2
118137	Axle — differential C-18-S (Specify Serial No. of Snowmobile)	2
68 x 4	Fitting — gas air vent pipe	1
68 x 5A	Fitting — gas tank outlet pipe	1
6770	Shut-off cock — gas tank	1
69 x 5	Fitting gas pump	1
EXTRA EQUIPMENT		
C-1300-1	Additional gas tank ass'y	1
B-1329	Bracket — additional gas tank	2
15101	Cap — additional gas tank	1
1304-E	Copper tubing 1/4" x 60"	1
1304-F	Copper tubing 5/16" x 40"	1
A-1727	Rear door friction plate	4
69 x 4	Fitting — compression male elbow	1
69 x 5	Fitting — compression male elbow	1
6770	Shut-off cock	1
64 x 5	Fitting — compression tee	1
C-1311-1	Differential Housing — 4.89 to 1	1
C-1312-1	Differential axle — 4.89 to 1	2
C-1310-1	Shaft — Propeller (Truck differential)	1

www.forumsforums.com/snowtrac.html

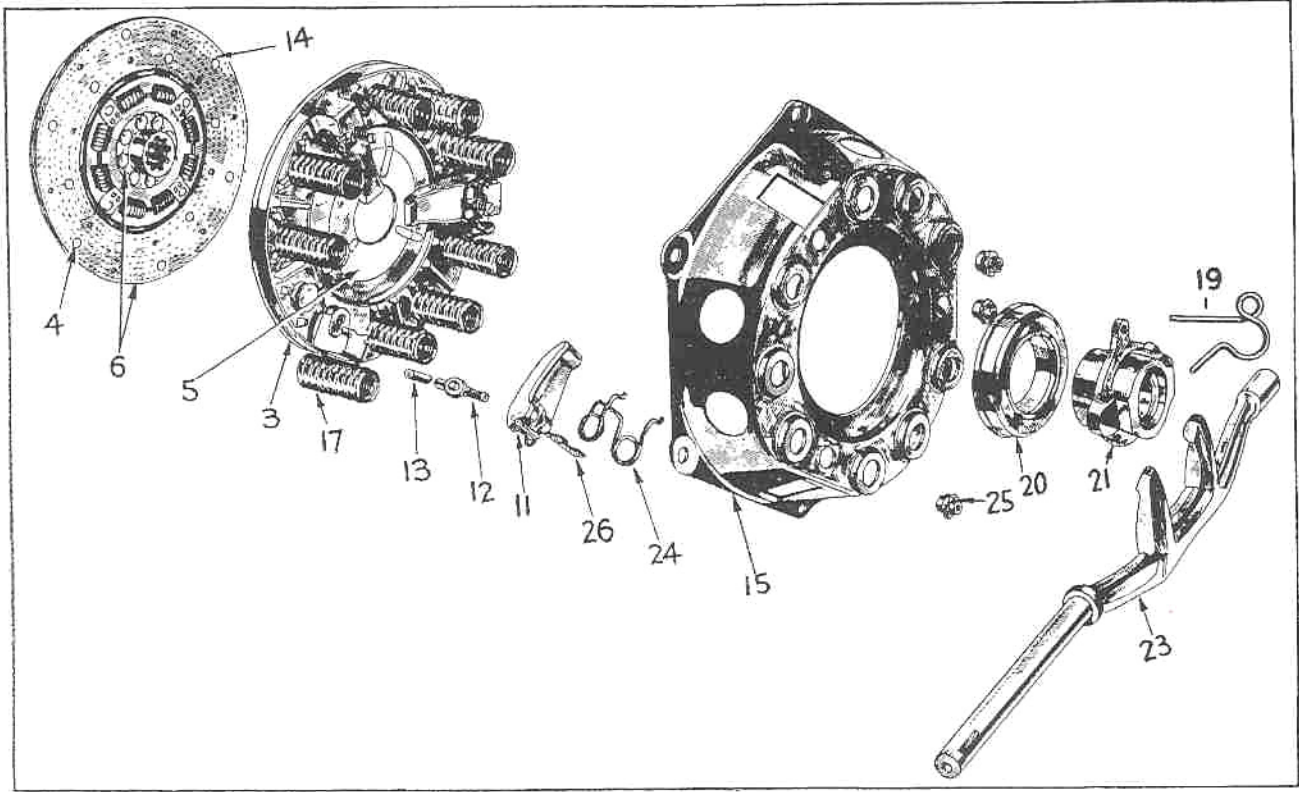
With special thanks to "Averyman" of www.NorthernTracks.com

CHRYSLER SERVICE PARTS FOR BOMBARDIER SNOWMOBILE

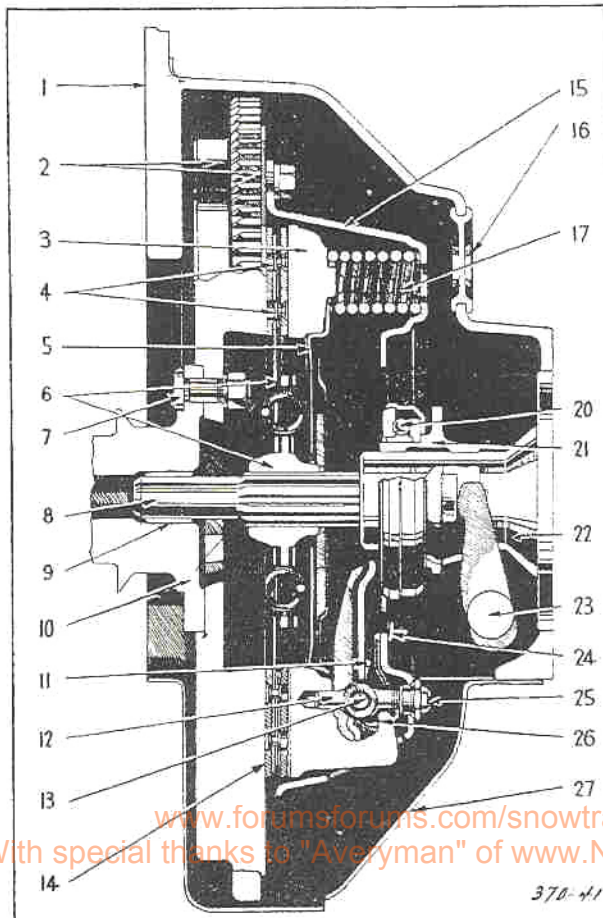
STANDARD TRANSMISSION No. 1122601

Ref. No.	PART NAME	Number
40	Gearshift rail plug	103892
41	Gearshift lever — rail shutter	1117748
42	Gearshift lever pin	865805
43	Gearshift fork guide rail	1115577
44	Gearshift operating lever nut	120369
44	Gearshift operating lever lockwasher	120394
45	Gearshift operating lever nut plain washer	120381
46	Gearshift operating lever	860429
47	Gearshift housing seal — gearsnitch lever	1134903
48	Gearshift lever shaft rail snifter	863393
49	Gearshift lever pin lock spring	863390
50	Gearshift shaft lock screw	853877
51	Gearshift selector ball	104921
52	Gearshift selector ball spring screw washer	857309
53	Gearshift selector ball spring screw	856468
54	Gearshift selector ball spring	852633
55	Gearshift selector lever nut and lockwasher	120368
56	Selector lever nut plain washer	627261
57	Gearshift selector lever	952273
58	Selector shaft seal — cam	1127794
59	Gearshift housing stud	953780
60	Gearshift housing	853855
60A	Gearshift housing gasket	854801
61	Selector cam and shaft assy	863389
62	Gearshift fork lock screw	862392
63	Gearshift lever return spring	863413
64	Gearshift fork — second and direct	863392
65	Gearshift fork lock screw	862392
66	Gearshift fork — low and reverse	863388
67	Transmission case	853853
68	Reverse idler gear shaft	631869
69	Idler gear shaft key	103905
70	Gearshift rail second and direct	852428
71	Gearshift rail interlock	852431
72	Countershaft	852473
73	Countershaft key	103905
74	Clutch gear — sliding	856467
75	Countershaft gear thrust washer — oilite	608804 (thin)
75	Countershaft gear thrust washer — oilite	601127 (medium)
75	Countershaft gear thrust washer — oilite	601128 (thick)
76	Countershaft gear thrust washer plate steel	601129
77	Countershaft bearing roller	666927
78	Countershaft gear	697823
79	Reverse Idler gear washer	666924
80	Reverse Idler gear	853887
81	Idler gear bearing roller	666927 (22 required)
82	Countershaft bearing spacer	697812
83	Transmission mainshaft	853488
	Transmission to clutch housing gasket	852623
	Transmission clutch housing bolts	122279
	Transmission to clutch housing bolt	120283
	Transmission gear (matched set)	865173

www.torqforum.com/snowtrac.html
 With special thanks to "Avenman" of www.NorthernTracks.com



CLUTCH
(disassembled view)



CLUTCH
(Assembled view
at left)

www.forumsforums.com/snowtrac.html
With special thanks to "Averyman" of www.NorthernTracks.com

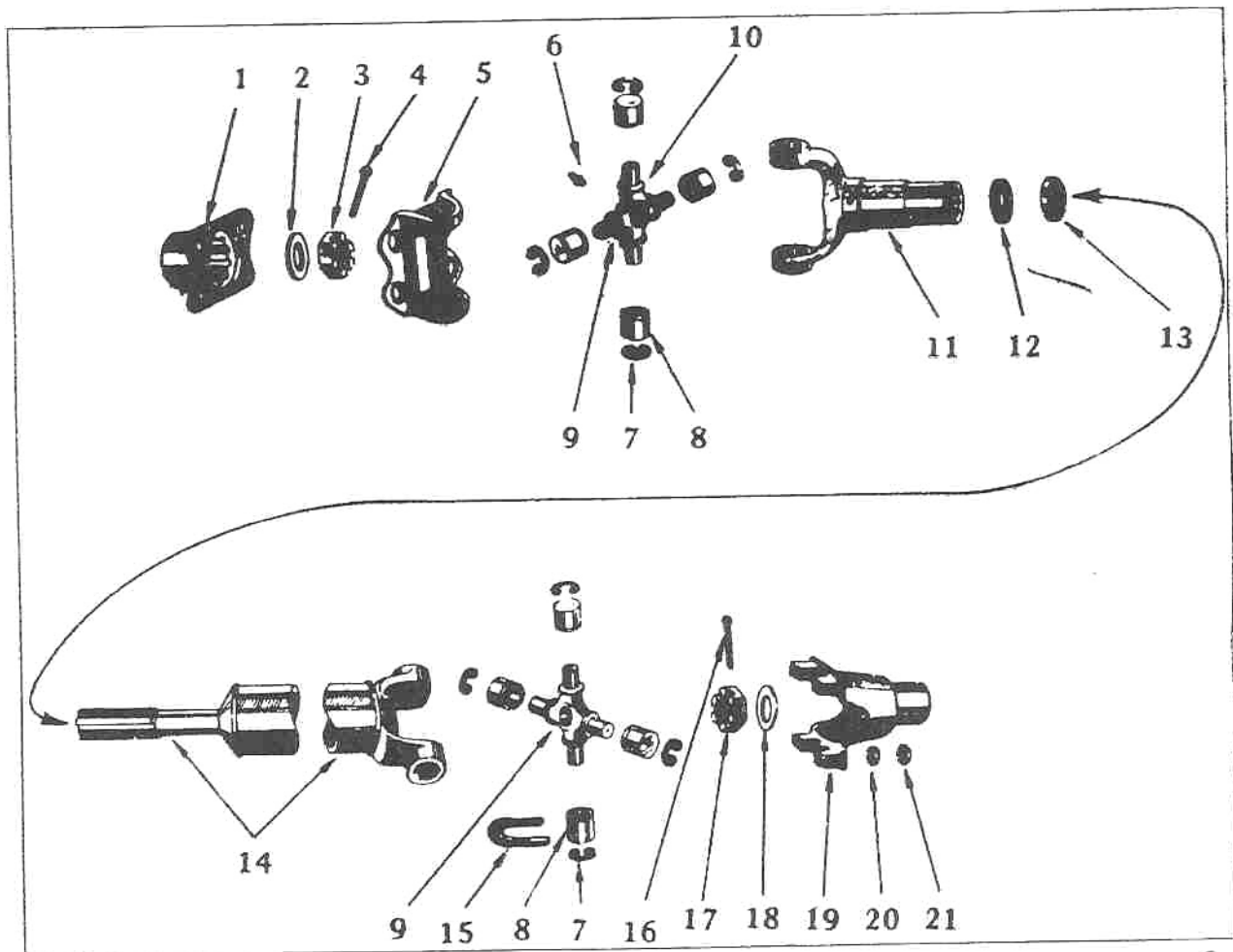
CHRYSLER SERVICE PARTS FOR BOMBARDIER SNOWMOBILE CLUTCH

No.	PART NAME	Number
1	Housing assy	871357
2	Engine flywheel and ring gear	1119717
3	Pressure plate	684363
4	Disc facing rivets	121573
5	Pressure plate baffle	697497
6	Disc assy	917166
7	Engine flywheel bolt	871685
8	Transmission drive pinion	853864
9	Engine crankshaft bushing (trans. drive pinion pilot bushing)	53298
10	Engine crankshaft	870745
11	Release lever	684387
12	Release lever eye bolt	620894
13	Release lever pin	619463
14	Disc facing	697498
15	Cover	855518
16	Housing hole plug	660324
17	Pressure spring	670103
18	Release bearing pull back springscrew	
19	Release bearing pull back spring	671915
20	Release bearing	658998
21	Release bearing sleeve	862860
22	Transmission drive pinion bearing retainer	670945
23	Release fork	863916
24	Release lever spring	622915
25	Release lever eye bolt nut	314.923
26	Release lever strut	619466
27	Housing pan	859768
	3-15 clutch covr and pressure plate assy	586783
	Release bearing and sleeve assy	862859

www.forumsforums.com/snowtrac.html

With special thanks to "Averyman" of www.NorthernTracks.com

CHRYSLER SERVICE PARTS FOR BOMBARDIER SNOWMOBILE



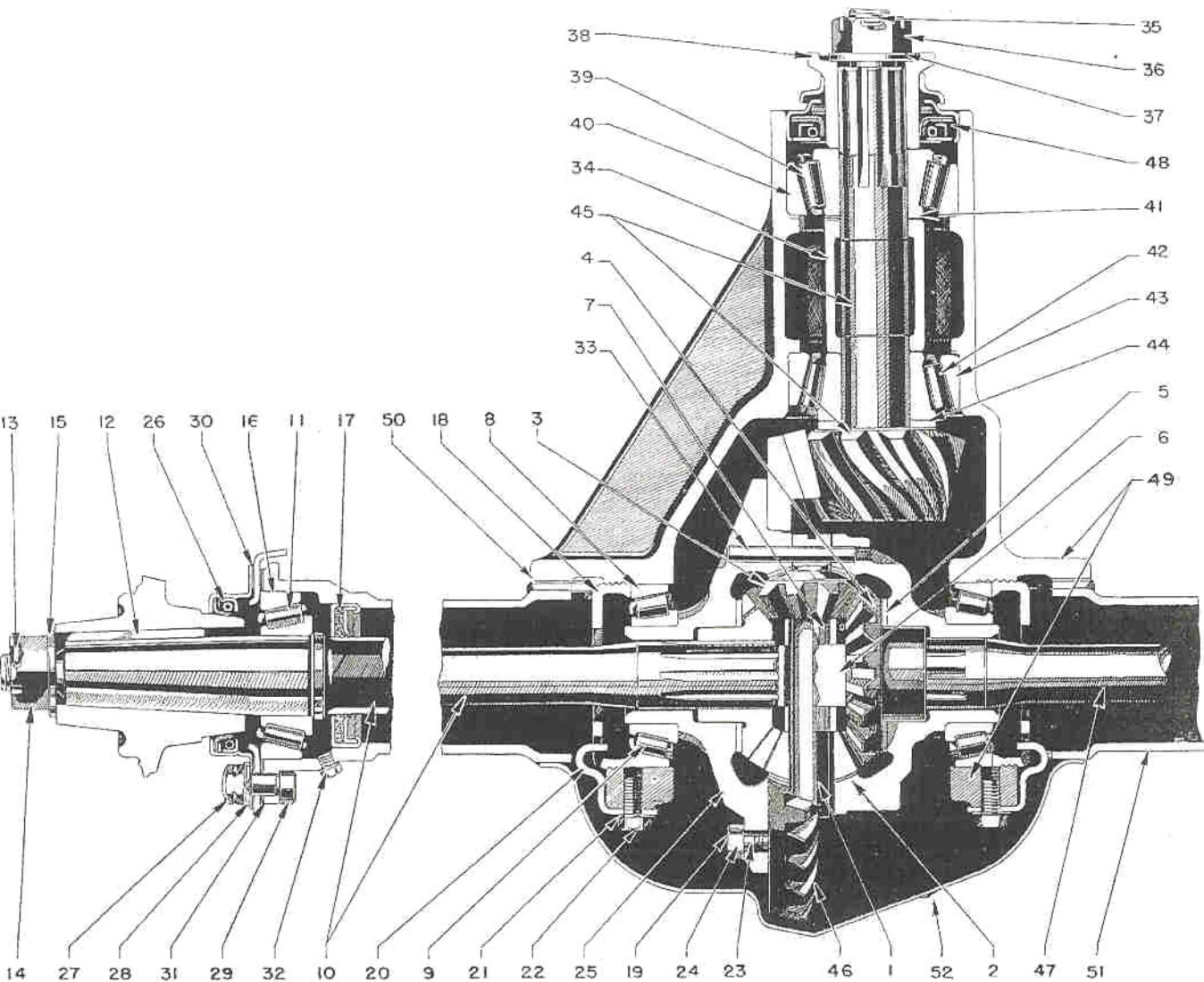
PROPELLER SHAFT AND UNIVERSAL JOINT
ASSY B-12-C, C-18-S

www.forumsforums.com/snowtrac.html
With special thanks to "Averyman" of www.NorthernTracks.com

**CHRYSLER SERVICE PARTS FOR BOMBARDIER SNOWMOBILE
PROPELLER SHAFT AND UNIVERSAL JOINT
ASSY B-12CS, C-18S**

Ref. No.	PARTS NAME	Number
1	Transmission mainshaft flange	1122385
2	Mainshaft flange washer	684748
3	Mainshaft flange nut	525009
4	Mainshaft flange nut cotter	119209
5	Propeller shaft companion flange or yoke	1122682
6	Universal joint cross grease nipple	110347
7	Cross bushing retainer	604595
8	Cross bushing and roller assy	1122680
9	Cross and seal assembly	1122678
10	Cross seal	604594
10	Cross seal retainer	604595
11	Sliding yoke assy	1122675
12	Sliding yoke dust seal	604596
13	Sliding yoke cap	1122677
14	Propeller shaft (Modified)	1122674
15	Rear axle drive pinion flange "U" bolt	1122683
16	Pinion flange nut cotter	119209
17	Pinion flange nut	853562
18	Pinion flange nut washer	308466
19	Pinion flange	1122649
20	Pinion flange "U" bolt lockwasher	120214
21	Pinion flange "U" bolt	120368
	Universal joint repair package	1150810
	consists of 1 cross assy	1122678
	4 bushing & rollers	1122680
	4 retainers	604593

CHRYSLER SERVICE PARTS FOR BOMBARDIER SNOWMOBILE



REAR AXLE — SECTIONAL VIEW

www.forumsforums.com/snowtrac.html
With special thanks to "Averyman" of www.NorthernTracks.com

CHRYSLER SERVICE PARTS FOR BOMBARDIER SNOWMOBILE REAR AXLE

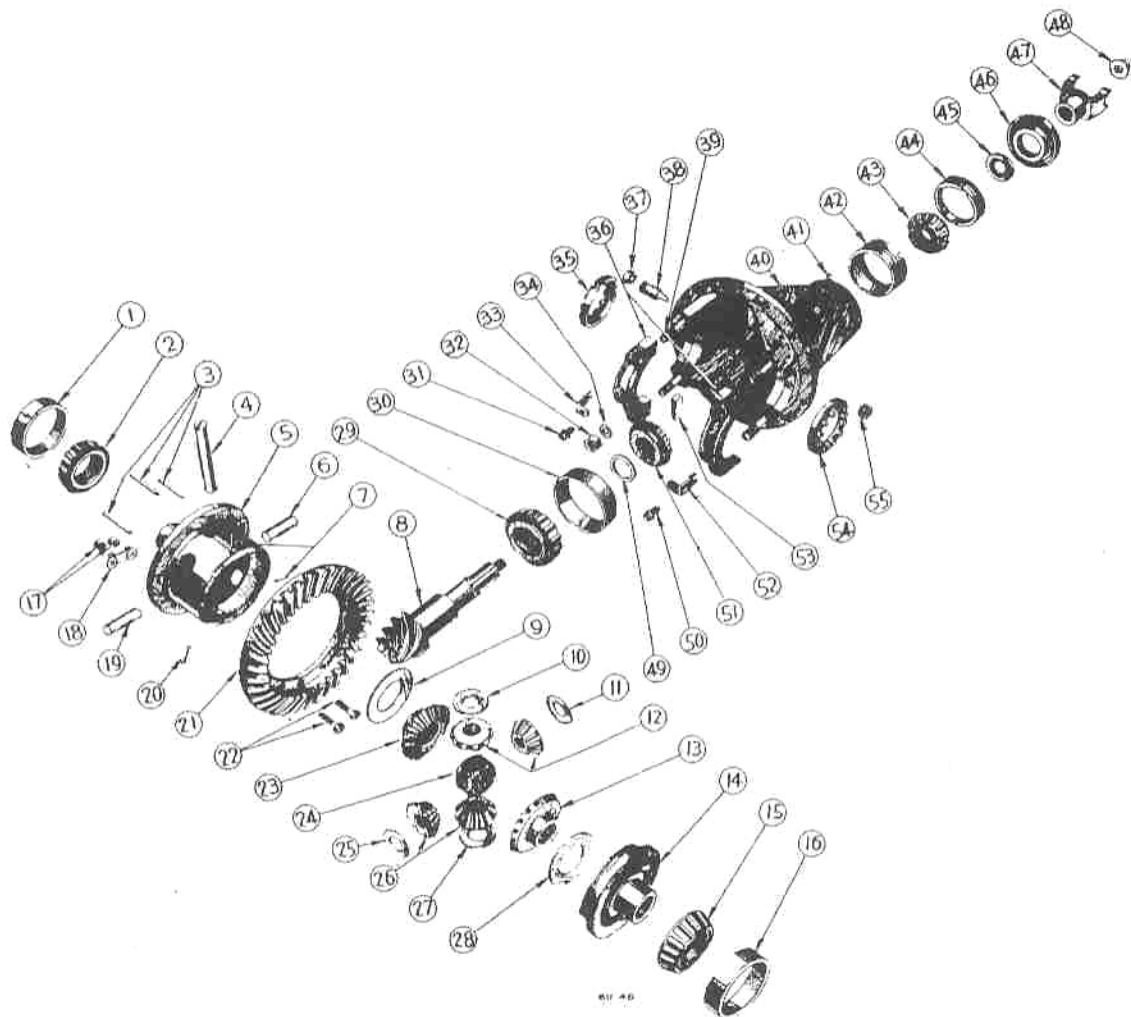
No.	PART NAME	Number
1	Differential pinion shaft	663480
2	Differential pinion thrust washer	663479
3	Differential pinion	663478
4	Differential side gear	663477
5	Differential side gear thrust washer	632587
6	Axle drive shaft thrust block	651402
7	Axle drive shaft thrust block spacer	663607
8	Differential bearing cup	698403
9	Differential bearing cone and rollers	698404
10	Axle drive shaft	1118137 (C-18S)
11	Axle drive shaft bearing cone and rollers	698400 (C-18S)
11	Axle drive shaft bearing cone and rollers	1188716 (B-12CS)
12	Axle drive shaft key	1118149
13	Axle drive shaft nut cotter pin	103399
14	Axle drive shaft nuts	53553
15	Axle drive shaft nut washer	50652
16	Axle drive shaft bearing cup	698399 (C-18S)
16	Axle drive shaft bearing cup	1188715 (B-12CS)
17	Axle drive shaft oil seal assy (inside)	1139896 (B-12CS)
17	Axle drive shaft oil seal assy (inside)	1139899 (C-18S)
18	Differential bearing adjuster	601864
19	Axle drive gear bolt nuts	120369
20	Differential bearing adjuster lock	308247
21	Differential bearing adjuster lock screw lock washer (serviced with 122017)	
22	Differential bearing adjuster lock screw assy	122017
23	Axle drive gear bolt	663481
24	Axle drive gear bolt nut lock	663482
25	Differential case	663476
26	Axle drive shaft bearing oil seal — outside	891437
	Rear wheel hub	688700 (B-12)
	Rear wheel hub bolts	10302
27	Rear wheel brake support to axle housing bolt nut	860681

www.forumsforums.com/snowtrac.html
 With special thanks to "Averyman" of www.NorthernTracks.com

CHRYSLER SERVICE PARTS FOR BOMBARDIER SNOWMOBILE REAR AXLE

Ref. No.	PART NAME	Number
28	Rear wheel brake support to axle housing bolt nut lockwasher.....	120382
29	Rear wheel brake support to axle housing bolt	854472
30	Axle driveshaft bearing oil seal retainer gasket	651719
31	Axle driveshaft bearing adjusting shim	681319 thin
31	Axle driveshaft bearing adjusting shim	681320 medium
31	Axle driveshaft bearing adjusting shim	681321 thick
31	Axle driveshaft bearing adjusting shim	681322 ext. thick
32	Axle drive bearing oil hole plug	697323
33	Differential pinion shaft lock pin or screw	141210
34	Axle drive pinion bearing spacer	663483
35	Axle drive pinion flange nut cotter pin	119209
36	Axle drive pinion flange nut	853562
37	Axle drive pinion flange nut washer	308466
38	Axle drive pinion flange	1122649
39	Axle drive pinion front bearing cone and rollers	698414
40	Axle drive pinion front bearing cup	698413
41	Axle drive pinion front bearing adjusting shim	688739 thin
41	Axle drive pinion front bearing adjusting shim	688741 thick
42	Axle drive pinion rear bearing cone rollers	698415
43	Axle drive pinion rear bearing cup	698413
44	Axle drive pinion rear bearing washer or shim	303856 thin
44	Axle drive pinion rear bearing washer or shim	303857 thick
45	Axle drive pinion	663446
46	Axle drive gear	663445
47	Axle driveshaft	1118137 (C-18S)
48	Axle drive pinion bearing oil seal	663602
49	Axle drive pinion carrier and cap assy	1127041
50	Axle drive pinion carrier gasket	1121939
51	Housing C-18S	1115862
52	Housing cover plug	143998
53	Differential carrier assy	1125147
54	Rear axle housing vent plug	855694
55	Axle drive gear and pinion (matched set)	673661

www.forumsforums.com/snowtrac.html
 With special thanks to "Averyman" of www.NorthernTracks.com



REAR AXLE DIFFERENTIAL

(Disassembled View)

www.forumtrac.com

With special thanks to "Averyman" of www.NorthernTracks.com

CHRYSLER SERVICE PARTS FOR BOMBARDIER SNOWMOBILE DIFFERENTIAL 4.89/1

Ref. No.	PART NAME	Number
1	Differential bearing cup	926245
2	Differential bearing cone and rollers	926244
3	Differential pinion shaft lock pin	856226
4	Differential pinion shaft — long	855099
5	Differential case	928300
6	Differential pinion shaft short	927839
7	Differential case cap lock pin	141211
8	Drive pinion set	1265599
9	Differential side gear thrust washer	922422
10	Differential pinion gear thrust washer	855098
11	Differential pinion gear thrust washer	855098
12	Differential pinion gear	855097
13	Differential side gear	922434
14	Differential case cap in assy	928300
15	Differential bearing cone and rollers	926244 (assy)
16	Differential bearing cup	926245
17	Drive gear bolt nuts	125913
18	Drive gear bolt nut lock	120382
19	Differential pinion shaft short	927839
20	Differential case cap lock pin	141211
21	Drive gear set	1265599
22	Drive gear bolts	663481
23	Differential side gear	922434
24	Differential pinion shaft block	927840
25	Differential pinion gear thrust washer	855098
26	Differential pinion gear	855097
27	Differential pinion gear thrust washer	855098
28	Differential side gear thrust washer	922422
29	Drive pinion rear bearing cone and rollers	926264
30	Drive pinion rear bearing cup	563572
31	Differential bearing adjuster lock screw and washer	952544
32	Differential stud nut	121358
33	Differential bearing adjuster lock	856226

www.forumsforums.com/snowtrac.html
 With special thanks to "Averyman" of www.NorthernTracks.com

CHRYSLER SERVICE PARTS FOR BOMBARDIER SNOWMOBILE DIFFERENTIAL 4.89/1

Ref. No.	PART NAME	Number
34	Differential stud nut lock washer	138502
35	Differential bearing adjuster	926246
36	Differential carrier cap	926239
37	Drive gear thrust screw nut	856869
38	Drive gear thrust screw	856868
39	Differential carrier cap stud	928288
40	Differential carrier assy	1265979
41	Drive pinion front bearing retainer set screw	102883
42	Drive pinion front bearing cup in assy	926261
43	Drive pinion front bearing cone assy	926261
44	Drive pinion front bearing retainer nuts	587557
45	Drive pinion front bearing washer	856871
46	Drive pinion front bearing oil seal	928114
47	Drive pinion companion flange or yoke	1122649
48	Drive pinion companion flange nut	926228
49	Drive pinion bearing spacer	957488
50	Differential bearing adjuster lock screw and washer	952544
51	Drive pinion front bearing rear cone	926261
52	Differential bearing adjuster lock	856226
53	Drive gear thrust pad	856870
54	Differential bearing adjuster	726246
55	Differential carrier drain plug	143032
	Axle drive shaft bearing cone	1188716
	Axle drive shaft bearing cup	1188715
	Axle drive shaft oil seal assy (inside)	1139899

SPECIAL PARTS USED ON DIFFERENTIAL EQUIPPED WITH HYDRAULIC BRAKES

Hub	1118868
Hub and drum	1137699
Brake plate and support L.H.	1263713
Brake plate and support R.H.	1263712
Master cylinder	1191397

CONTROL MECANISM

Parts Number	PARTS NAME	No reqd' per Unit
B-1400	Pedal — accelerator	1
A-1401	Rod — accelerator pedal to hinge	1
B-1402	Hinge — throttle control to accelerator pedal	1
C-1404	Housing — choke and throttle wire	1
A-1406	Wire — accelerator	1
A-1407	Spring — accelerator pedal	1
A-1408	Cable — speedometer	1
B-1409	Housing — speedometer cable	1
B-1410	Pedal — brake	1
B-1410-1	Pedal — clutch	1
B-1411	Rod — clutch	1
B-1412	Rod — brake	1
A-1413	Holder — clutch rod	1
A-1414	Return spring — brake and starter	1
B-1415	Lever — Gear shift driving angle	1
C-1416	Rod — Gear shift control	1
C-1417	Rod — gear shift selector	1
A-1418	Lever — gear shift operating	1
A-1419	Housing — gear shift operating rod	1
A-1420	Fulcrum pin — gear shift lever	1
A-1421	Housing (short) — choke wire	1
B-1422	Pedal — starter	1
A-1423	Wire — choke	1
A-1423-1	Button — choke wire	1
A-1424	Adjuster — clutch rod	1
B-1425	Push rod — starter	1
A-1426	Spring — clutch return	1
A-1427	Spring — selector rod	1
A-1428	Support — accelerator return spring	1
A-1436	Breather — outlet crank case (C-18-S)	1
A-1438	Breather — Metal hose crank case (C-18-S)	1
11A-2454A	Pad — brake and clutch pedal	2
B-7532	Clevis 7/16" — control rod	1
10400	Cap screw 4" x 3/8" — pedal rods	2
10401	Nut SAE 3/8" — pedal	2
10402	Cap screw 3 1/2" x 3/8" — gear shift selector rod	1
10403	Nut — selector rod	1
10404	Clevis 5/16" gear shift selector rod	1

EXTRA EQUIPMENT

A-1430	Rod — master cylinder hydraulic brake	2
B-1433	Housing — master cylinder rod	2
B-1434	Lever — hydraulic handbrake	2
69 x 4	Fitting — hydraulic brake	
69 x 4A	Fitting — hydraulic brake	
105 x 4	Fitting — hydraulic brake	
A-1304-C	Copper tubing 27" long — hydraulic brake	2

COOLING AND ELECTRICAL

Parts Number	PARTS NAME	No reqd' per Unit
C-1500	Radiator	1
B-1502	Filler neck	1
A-1503	Radiator drain 5/16" x 10"	1
A-1504	Metal hose — radiator	1
A-1505	Hose — radiator top	1
A-1507	Hose — radiator lower motor unit	1
A-1508	Hose — radiator lower unit	1
C-1510	Battery bracket	1
C-1510-1	Battery bracket (C-18-S)	1
A-1511	Cable — ground, battery	1
A-1512	Cable — negative battery to starter	1
C-1513	Wiring harness	1
C-1514	Wiring harness — dash unit	1
A-1515	Clamps — wiring harness	1
B-1516	Head lamp assy (single contact)	2
A-1517	Clamp — radiator hose 2"	2
A-1518	Clamp — radiator hose 1½"	2
555	Shut off cock — radiator	1
3404 x 2	Connector — oil pressure gauge, motor	1
3200 x 2	Connector — oil pressure gauge	1
3228 x 6	Connector — temperature gauge, motor unit	1
608766	Fan belt	1
81A-9271B	Casing — instrument cluster	1
81A-9273B	Gauge — oil pressure dash unit	1
48-9278	Gauge — oil pressure motor	1
81A-9280B	Gauge — fuel dash unit	1
09B-10849	Cluster — instrument	1
09B-10849-1	Glass — instrument cluster	1
01A-10850	Ammeter	1
01A-10883B	Gauge — temperature dash	1
99A-10884	Gauge — Temperature — motor	1
01A-12250	Circuit breaker	1
15100	Battery	1
15101	Cap — radiator	1
15102	Bulb — dash lamp	1
15103	Tail lamp	1
15104	Switch — ignition	1

www.forumsforums.com/snowtrac.html

With special thanks to "Averyman" of www.NorthernTracks.com

COOLING AND ELECTRICAL

Number Parts	PARTS NAME	No reqd per Uni
15105	Horn	1
15106	Wiper — windshield	1
15106-1	Motor — windshield wiper	1
15106-2	Arm — windshield wiper	1
15106-3	Blade — windshield wiper	1
15107	Speedometer	1
15107-1	Glass — speedometer	1
15108	Switch (light dash)	1
15109	Dome light	1
15110	Switch — dome light	1
15111	Wiring — dome light	1
15123	Glass, dome light	1
15113	Switch — dimming light	1
15114	Connector plug — three prongs	2
15115	Connector clip — three prongs	2
15116	Glass — tail light (specify color: red, green, white, clear)	1
B-1902	Bracket — headlamp, right	1
B-1903	Bracket — headlamp, left	1
B-1911	Housing — headlamp	2
B-1912	Ring — headlamp housing	2
15120	Seal beam — single contact	2
15121	Seal beam dimming type	2

EXTRA EQUIPMENT

15117	Electric windshield defroster	1
15118	Heater and defroster	1
15119	Heater and defroster with fresh air att.	1
15122	Electric fan	1

BODY ASSEMBLY (WOOD)

Parts Number	PARTS NAME	No reqd per Uni
B-1601	Panel — front	
A-1602	Top — front	
B-1603	Top — rear	
B-1604	Panel — rear	
B-1605	Panel — side front	
B-1606	Panel — side center	
B-1607	Panel — side rear	
B-1611	Arch — left and right	
C-1612	Support — arch	
B-1613	Segment — front panel	
A-1614	Support — lower windshield	
A-1615	Support — upper windshield	
A-1616	Support — front panel R.H. and L.H.	
B-1617	Segment — inside R.H. and L.H.	
B-1618	Support — inside toe board	
B-1619	Support — outside toe board	
B-1620	Reinforcement — outside support toe board	
B-1621	Column — front	
B-1622	Reinforcement — front column	
A-1623	Reinforcement — windshield outside support	
B-1624	Frame — inside windshied (4 pieces)	
B-1625	Support windshield reinforcement	
B-1626	Support — inside front floor board	
B-1627	Support — outside front floor board	
B-1628	Stop — front floor board	
A-1629	Extension — front floor board support	
A-1630	Support cross column (lower)	
C-1631	Column — main	
A-1632	Block — front door	
A-1633	Block — support half round moulding	
A-1634	Support — central top	
A-1635	Column — rear	
B-1636	Support — cross back seat	
A-1637	Support rear top	
A-1638	Reinforcement — rear column	
A-1639	Reinforcement — rear top support	
B-1640	Support — cross rear column	
A-1641	Block — filler rear column	
A-1642	Support — front track guard	
B-1643-44	Support — and inside front track guard	
B-1645	Back central rear seat	
B-1646	Base — central rear seat cushion	
B-1650	Toe board	

www.forumsforums.com/snowtrac.html

With special thanks to "Averyman" of www.NorthernTracks.com

BODY ASSEMBLY (WOOD)

Parts Number	PARTS NAME	No reqd' per Unit
B-1651	Board — front floor	
C-1652	Board — rear floor	
A-1653	Reinforcement front — rear floor board	
A-1654	Reinforcement central and rear	
C-1659	Moulding bent — front door	
B-1660	Reinforcement — upper front door	
B-1661	Reinforcement — lower front door	
A-1662-63	Reinforcement — front and rear front door	
B-1664	Panel — front door	
B-1665	Moulding — half round outside	
A-1666	Guard track — front	
C-1667	Guard track — upper R.H. and L.H.	
B-1668	Guard track — side	
A-1669	Seat — rear central	
A-1670	Side — central rear seat	
A-1671	Support — central rear seat	
B-1672	Back — rear seat	
B-1673	Cover — motor with frame	
A-1674	Reinforcement — seat back	
A-1675	Column — radiator	
A-1676	Column — motor door	
A-1677	Segment — rear door	
A-1678	Support — rear door segment	
B-1679	Panel — rear door segment	
A-1680	Stop — radiator	
A-1681	Cover — rear top support	
A-1682	Cover — side front arch support	
B-1683	Cover — upper front part arch support	
A-1684	Cover — lower central column	
B-1685	Cover — outside front floor, board support	
A-1687	Bottom — front seat	
A-1688	Side — front seat	
A-1689	Front and rear — front seat	
A-1690	Reinforcement — inside front seat	
A-1692	Support — front seat cushion	
A-1693	Board — front seat cushion	
C-1694	Back — rear seat	
A-1695	Board — rear seat cushion	
C-1696	Back — side seat	
A-1697	Edge filling	

www.forumsforums.com/snowtrac.html
 With special thanks to "Averyman" of www.NorthernTracks.com

BODY PARTS

Parts Number	PARTS NAME	No reqd' per Unit
C-1700	Instrument panel	
C-1700-C	Instrument panel C-18-S	
C-1702	Air guard — radiator top	
C-1702-C	Air guard — radiator top C-18-S	
A-1704	Plate — differential housing	
C-1706	Spacer washer — door hinge	
A-1707	Hinge — door and seat	
A-1708	Rod — door retainer	
A-1709	Retaining clip — front door window	
A-1709-1	Stop — retaining clip	
B-1710	Rear door	
B-1710-C	Rear door C-18-S	
A-1711	Plate front door window	
C-1722	Fender — rear door	
C-1723	Front door (without window)	
B-1724	Frame — front door window (R.H. or L.H.)	
B-1725	Window with frame — front door (Specify right or left)	
A-1726	Bumper — rod retainer door	
A-1727	Fender friction block — rear door	
B-1728	Door — motor compartment (L.H. or R.H.)	
A-1730	Door latch (right or left)	
A-1731	Stopper — door latch	
A-1732	Spring — rear door latch	
B-1738	Door catch — R.H. (1944 to 1947)	
B-1739	Door catch — left (1944 to 1947)	
A-1741	Bracket — voltage regulator	
B-1744	Sliding motor door	
A-1748	Spring catch — front door	
A-1754	Door catch — L.H. (from 1947 to 1950)	
A-1755	Door catch — R.H. (from 1947 to 1950)	
10700	Handle with lock — outside	
10701	Handle — front door outside (without lock)	
10702	Handle — inside front door	
10703	Handle — motor door (with lock)	
10704	Handle — motor door (without lock)	
10705	Windshield 16" x 44"	
10705-1	Windshield 16" x 44" round corners	

BODY PARTS

	PARTS NAME	No reqd' per Unit
10705-2	Windshield 16" x 59" (C-18-S)	
10706	Window — front door	
10707	Round glass 12"	
10708	Round glass 10"	
10709	Round glass 6"	
10710	Retainer — round glass (Rubber H.)	
	Specify length :	
	Glass window 12" — 38½"	
	Glass window 10" — 32½"	
	Glass window 6" — 20"	
10710-1	Retainer rubber — windshield 10'3"	
10710-2	Retainer rubber — windshield 13' C-18-S	
10711	Doortite rubber	
10712	Escutcheon — door handle	

EXTRA EQUIPMENT

B-1900	Draw bar H.D. (B-12-CS)	
B-1900-C	Draw bar H.D. (C-18-S)	
A-1900-3	Bracket — draw bar	
B-1935	Front bumper (B-12-CS or truck)	
B-1935-C	Front bumper (C-18-S)	
B-1749	Side loading door (right of left)	
A-1936	Retainer chain side loading door	
C-1699	Escape roof hatch	
A-1933	Retainer clip assy — escape roof hatch	
B-1655	Rear central seat (longitudinal) (C-18-S)	

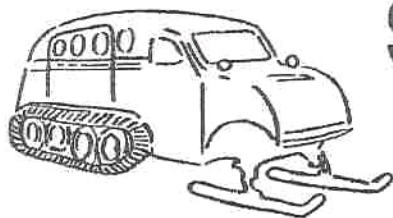
MISCELLANEOUS

Parts Number	PARTS NAME
A-1901	Towing plate
C-1904	Back — folding seat
A-1907	U-bolt — differential
A-1908	U-towing bolt
A-1910	Crank — starting
A-1914	Bracket — heater
A-1915	Rod — horn
A-1016	Wrench — hub cap
C-1917	Seat — front (without cushion)
B-1918-1	Cushion — front seat rubber sponge (with cover)
B-1918-A	Cushion only — front seat rubber sponge
B-1918-2	Cover only — front seat
B-1919-1	Back cushion — front seat rubber cushion (with cover)
B-1919-1A	Back cushion only — front seat rubber sponge
B-1919-2	Cover only — back front seat
C-1920	Cushion — side back seat right or left
C-1920-1	Cushion — side back seat sponge right or left
C-1920-1A	Sponge only side back seat right or left
C-1920-2	Cover only side back seat right or left
B-1921	Cushion — rear central seat (with cover)
B-1921-1	Cushion — rear central seat rubber sponge (with cover)
B-1921-1A	Sponge only — rear central seat
C-1922	Back — side seat right or left (with cover)
C-1922-1	Back — side rear seat rubber sponge (with cover)
C-1922-2	Cover only — back side rear seat
C-1921-A	Back — central rear seat (with cover)
C-1922-A2	Cover only — backrest central rear seat
A-1923	Door — heat control
A-1924	Expander — bogie spring
B-1928	Baggage rack
B-1929	Hook — Motor instalment
A-1930	Plate — Attachment motor instalment
10900	Dum-Dum putty — windshield
10901	Griptread — floor board
10902	Handle — retainer front door inside
10905	Trico vacuum Booster
10906	Mirror — rear view exterior

SHAVER & SONS ENTERPRISES LTD.

BOX 878, STONEWALL, MB. ROC 2Z0

PH Fax (204) 467-2605



<u>Number</u>	<u>Description</u>	<u>Price</u>	<u>Number</u>	<u>Description</u>	<u>Price</u>
0000007	Brg Set BR7	55.47	6030134	Axle W/Nut	22.00
1010001	Shock Pkg Std	51.50	6030167	Spindle Assembly RH	160.00
1030050	U Joint 1-0153	21.00	6030168	Spindle	18.50
1050002	Bearing 15250X	10.45	6030170	Axle W/ Nut	23.00
1050003	Bearing 25580	24.12	6030172	Washer	1.70
1050004	Bearing 25520	15.45	6030173	Cross shaft	125.00
1050007	Bearing 15112	11.20	6030210	Spindle Assembly LH	160.00
1050008	Bearing 15118	16.47	6030214	Steering Arm RH	250.00
1050009	Bearing 09196	7.44	6030215	Steering Arm LH	250.00
1050011	Bearing 09074	15.71	6030222	Stud	7.00
1070002	Tire 450 x 16	110.00	6030224	Ski Leg	150.00
1070004	Tube 450 x 16	10.50	6030229	Adjustor Unit RH	150.00
1110008	W/S Glass w/Rubber	180.00	6030230	Adjustor Unit LH	150.00
1140003	Spring	60.00	6030231	Retainer	3.00
1140078	Tie Rod End	37.71	6030233	Axle W/Nut	23.00
1140855	Shock	42.32	6030234	Adjusting Screw	18.50
3098005	Bolt 3/8 x 2 & Nut	.42	6030235	Adjusting Nut	8.00
3098008	Bolt 7/16 x 2 & Nut	.70	6030238	Rear Shaft	150.00
3098010	Bolt 1/2 x 2 1/2 & Nut	.98	6030242	Spindle Assembly LH	175.00
3092012	Bolt 1/2 x 3 & Nut	.93	6030245	Spindle Assembly RH	175.00
3098014	Bolt 1/2 x 4 & Nut	1.11	6030249	Spindle Assembly LH	175.00
3608000	Carr Bolt 5/16 x 1 1/4....	.18	6030268	Chain	8.50
3608001	Carr Bolt 5/16 x 1 1/2....	.18	6030343	Stud	8.50
3608002	Carr Bolt 5/16 x 1 3/4....	.28	6030344	Knuckle Arm Asmb. RH	275.00
3608003	Carr Bolt 3/8 x 1 1/4 N...	.21	6030345	Knuckle Arm Asmb. LH	275.00
3608004	Carr Bolt 3/8 x 1 1/2 N...	.22	6030370	Spindle Assembly RH	220.00
3608005	Carr Bolt 3/8 x 1 3/440	6030371	Spindle Assembly LH	220.00
3700000	Ski Bolt 3/8 x 2 1/2 FH..	.60	6050001	Ski Rod	28.00
3710062	Cotter Pin 5/32 x 1 1/2..	.10	6050002	Ski Iron	35.00
3806032	Nut 5/8 NF Nylock	.40	6050003	Ski Wood	40.00
3812040	Nut 1" NF Castle	2.25	6050009	Ski Plate	210.00
3824028	Nut 1/2" NF Castle	.60	6060068	Bushing	5.00
3898005	Nut 3/4" NF Castle	1.40	6060078	Tie Rod	55.00
3900008	Washer 3/4 SAE	.20	6170181	Washer	2.35
3900009	Washer 1" SAE	.30	6170182	Hinge w/ Nut	2.60
4082001	Grease Fitting 1/4 28T	.34	6170295	Door, Motor RH	250.00
4082003	Grease Fitting 1/4 28T -90	.94	6170401	Door Assembly LH	450.00
6000006	Cross Link	14.50	6700032	Track Belts 3 Ply HD C	260.00
6000018	Back Plate 5/16	1.25	6700101	Seal	10.37
6000019	Back Plate 3/8	1.25	6700106	Sprocket	245.00
6000023	Coupler (set of 5)	11.00	6700301	Bumper	12.70
6010088	Hub & Flange Assembly	200.00	6700302	O Ring	3.50
6020006	Excluder	6.20	6700602	Bushing	3.84
6020014	Wheel		6800040	Ski Assembly	335.00
6030047	Bushing w/o Rings	55.00	6800054	Track Assembly 3 Ply HD	1855.00
6030048	Retainer	3.00	6800195	Hub Cap	20.00
6030049	Excluder	2.50	6810050	Door Catch	26.00
6030050	Shim	1.00	6901924	Expander	32.75
6030065	Bogie Spring Assembly	175.00	6700031	Track Belts 4 Ply HD C	300.00
6030100	Retainer - Outer	4.60	6800053	Track Assembly 4 Ply HD	1955.00
6030104	Retainer - Inner	3.80			
6030133	Excluder	3.80			

www.forumsforums.com/snowtrac.html

With special thanks to "Averyman" of www.NorthernTracks.com